

WTI Part No. 14446
Rev. C

DSM Series
Serial Console Servers

CPM Series
Remote Site Managers with Power Control

Products Covered:

DSM Series

DSM-40 Models

DSM-24 Models

DSM-8 Models

CPM Series

CPM-1600 Models

CPM-800 Models

User's Guide



Power & Console Solutions | wti.com



Warnings and Cautions: Installation Instructions



Secure Racking

If Secure Racked units are installed in a closed or multi-unit rack assembly, they may require further evaluation by Certification Agencies. The following items must be considered.

1. The ambient within the rack may be greater than room ambient. Installation should be such that the amount of air flow required for safe operation is not compromised. The maximum temperature for the equipment in this environment is 60°C. Consideration should be given to the maximum rated ambient.
2. Installation should be such that a hazardous stability condition is not achieved due to uneven loading.

Input Supply

1. Check nameplate ratings to assure there is no overloading of supply circuits that could have an effect on overcurrent protection and supply wiring.
2. When installing 48 VDC rated equipment, it must be installed only per the following conditions:
 - A. Connect the equipment to a 48 VDC supply source that is electrically isolated from the alternating current source. The 48 VDC source is to be connected to a 48 VDC SELV source.
 - B. Input wiring to terminal block must be routed and secured in such a manner that it is protected from damage and stress. Do not route wiring past sharp edges or moving parts.
 - C. A readily accessible disconnect device, with a 3 mm minimum contact gap, shall be incorporated in the fixed wiring.

Grounding

Reliable earthing of this equipment must be maintained. Particular attention should be given to supply connections when connecting to power strips, rather than direct connections to the branch circuit.

No Serviceable Parts Inside; Authorized Service Personnel Only

Do not attempt to repair or service this device yourself. Internal components must be serviced by authorized personnel only.

- **Shock Hazard - Do Not Enter**
- **Lithium Battery**
CAUTION: Danger of explosion if battery is incorrectly replaced. Replace only with same or equivalent type recommended by the manufacturer. Discard used batteries according to the manufacturer's instructions.

Disconnect Power

If any of the following events are noted, immediately disconnect the unit from the outlet and contact qualified service personnel:

1. If the power cord becomes frayed or damaged.
2. If liquid has been spilled into the device or if the device has been exposed to rain or water.

Disconnect Power Before Servicing

Before attempting to service or remove this unit, please make certain to disconnect the power supply cable(s) from the power source(s).

Up to Four Power Supply Cables



Note that some DSM series units feature two separate power inlets and a separate power supply cable for each power inlet.

In addition, some CPM-1600 series units feature four separate power inlets and a separate power supply cable for each power inlet. Make certain to disconnect all power supply cables from their power source before attempting to service or remove the unit.

Modem Cables

CAUTION: To reduce the risk of fire, use only No. 26 AWG or larger (e.g., 24 AWG) UL Listed or CSA Certified Telecommunication Line Cord.

ATTENTION: Pour réduire les risques d'incendie, utiliser uniquement des conducteurs de télécommunications 26 AWG au de section supérieure.

Restricted Access (CPM Series Only)

CPM Series units are intended for installation in Restricted Access Location.

Les matériels sont destinés à être installés dans des EMPLACEMENTS À ACCÈS RESTREINT.

Agency Approvals

FCC Part 15 Regulation

This equipment has been tested and found to comply with the limits for a Class A digital device, pursuant to part 15 of the FCC Rules. These limits are designed to provide reasonable protection against harmful interference when the equipment is operated in a commercial environment. This equipment generates, uses, and can radiate radio frequency energy and, if not installed and used in accordance with the instruction manual, may cause harmful interference to radio communications. Operation of this equipment in a residential area is likely to cause harmful interference in which case the user will be required to correct the interference at his own expense.

This device complies with part 15 of the FCC Rules. Operation is subject to the following two conditions: (1) This device may not cause harmful interference, and (2) this device must accept any interference received, including interference that may cause undesired operation

WARNING: *Changes or modifications to this unit not expressly approved by the party responsible for compliance could void the user's authority to operate the equipment*

EMC, Safety, and R&TTE Directive Compliance

The CE mark is affixed to this product to confirm compliance with the following European Community Directives:

- **Council Directive 2014/30/EU of 26 February 2014 on the approximation of the laws of Member States relating to electromagnetic compatibility;**
- and
- **Council Directive 2014/35/EC of 26 February 2014 on the harmonization of the laws of Member States relating to electrical equipment designed for use within certain voltage limits.**

Industry Canada - EMI Information

This Class A digital apparatus complies with Canadian ICES-003.

Cet appareil numérique de la classe A est conforme à la norme NMB-003 du Canada.

This product meets the applicable Industry Canada technical specifications

The Ringer Equivalence Number is an indication of the maximum number of devices allowed to be connected to a telephone interface. The termination on an interface may consist of any combination of devices subject only to the requirement that the sum of the RENs of all the devices does not exceed five.

Table of Contents

1. Introduction	1-1
2. Unit Description	2-1
2.1. DSM Series - Front Panel	2-1
2.2. DSM Series - Back Panel	2-3
2.3. CPM-1600 Series - Front Panel	2-5
2.4. CPM-1600 Series - Back Panel	2-7
2.5. CPM-800 Series - Front Panel	2-9
2.6. CPM-800 Series - Back Panel	2-11
2.7. Front Panel Button Functions	2-12
3. Getting Started	3-1
3.1. Apply Power to the DSM/CPM	3-1
3.2. Connect Your PC to the DSM/CPM	3-2
3.3. Communicating with the DSM/CPM	3-3
3.4. Connecting Ports and Switching Outlets	3-4
3.5. The WMU Enterprise Management Solution	3-6
3.6. The Cellular Modem Option	3-6
4. Cellular Modem Option	4-1
4.1. Installation	4-1
4.1.1. Attach the Cellular Antennae	4-1
4.1.2. Installing the SIM Card	4-1
4.1.3. Configuring the SIM Card	4-2
4.2. Defining the Static Route	4-2
4.2.1. Defining Static Route when Default Gateway Address is Known	4-2
4.2.2. Defining Static Route when Default Gateway Address is Unknown	4-3
4.3. Enable Web Services	4-5
4.4. Verify that Cellular Access is Available	4-6
4.5. Setting Up the Firewall/IP Tables (Optional)	4-7
5. Hardware Installation	5-1
5.1. Connecting the Power Supply Cables	5-1
5.1.1. Connect the DSM/CPM to Your Power Supply	5-1
5.1.2. Installing the Power Supply Cable Keeper (CPM Models Only)	5-1
5.1.3. DC Powered Units	5-2
5.2. Connecting the Network Cable	5-2
5.3. The Internal Modem Port	5-3
5.4. The Cellular Modem Option	5-3
5.5. Connection to the SetUp Port(s)	5-3
5.6. Connection to Switched Outlets (CPM Units Only)	5-3
5.7. Connecting Devices to the DSM/CPM Serial Ports	5-4
5.8. Emergency Shut Off Function	5-4
6. Basic Operation	6-1
6.1. Communicating with the DSM/CPM Unit	6-1
6.1.1. The Text Interface	6-1
6.1.2. The Web Browser Interface	6-3
6.1.3. The WMU Enterprise Management Solution	6-3

6. Basic Operation (continued)	
6.2. Connecting and Disconnecting Serial Ports - Text Interface	6-4
6.2.1. Any-to-Any Mode	6-4
6.2.1.1. Connecting Ports - Text Interface	6-4
6.2.1.2. Disconnecting Ports - Text Interface	6-6
6.2.1.3. The Port Control Screen - Web Browser Interface	6-8
6.2.1.4. Defining Hunt Groups - Text Interface	6-9
6.2.2. Passive Mode	6-10
6.2.3. Buffer Mode	6-10
6.2.3.1. Reading Data from Buffer Mode Ports - Text Interface	6-10
6.2.3.2. Port Buffers	6-11
6.2.4. Modem Mode	6-12
6.2.5. Modem PPP Mode	6-12
6.3. Controlling Power - Web Browser Interface	6-13
6.3.1. The Plug Control Screen - Web Browser Interface	6-13
6.3.2. The Plug Group Control Screen - Web Browser Interface	6-14
6.4. Controlling Power - Text Interface	6-15
6.4.1. The Port and Plug Status Screen - Text Interface	6-15
6.4.2. Switching and Reboot Commands - Text Interface	6-16
6.4.2.1. Applying Commands to Several Plugs - Text Interface	6-18
6.5. Manual Operation	6-19
6.6. Logging Out of Command Mode	6-19
6.7. Emergency Shut Off Function	6-19
7. Configuration Options	7-1
7.1. Configuration Menus	7-1
7.2. Defining System Parameters	7-2
7.2.1. The Real Time Clock and Calendar	7-5
7.2.2. The Serial Port Invalid Access Lockout Feature	7-7
7.2.3. Log Configuration	7-10
7.2.3.1. The Audit Log and Alarm Log Configuration Options	7-11
7.2.3.2. The Temperature Log	7-11
7.2.3.3. Reading, Downloading and Erasing Logs	7-11
7.2.4. Callback Security	7-13
7.2.5. Scripting Options	7-14
7.2.5.1. Automated Mode (CPM Series Units Only)	7-17
7.2.5.2. Modem Pooling	7-18
7.2.6. Power Configuration (CPM-C Series Units Only)	7-19
7.3. User Accounts	7-20
7.3.1. Command Access Levels	7-20
7.3.2. Granting Serial Port Access	7-21
7.3.3. Granting Plug Access	7-21
7.4. Managing User Accounts	7-22
7.4.1. Viewing User Accounts	7-22
7.4.2. Adding User Accounts	7-22
7.4.3. Modifying User Accounts	7-25
7.4.4. Deleting User Accounts	7-25
7.5. The Plug Group Directory	7-26
7.5.1. Viewing Plug Groups	7-27
7.5.2. Adding Plug Groups	7-27
7.5.3. Modifying Plug Groups	7-28
7.5.4. Deleting Plug Groups	7-28
7.6. Defining Plug Parameters	7-29
7.6.1. The Boot Priority Parameter	7-31
7.6.1.1. Example 1: Change Plug 3 to Priority 1	7-31
7.6.1.2. Example 2: Change Plug 4 to Priority 2	7-32

7. Configuration Options (continued)	
7.7. Serial Port Configuration	7-33
7.7.1. RS232 Port Modes	7-34
7.7.2. The Serial Port Configuration Menu	7-35
7.7.3. Copying Parameters to Several Serial Ports (Text Interface Only)	7-43
7.8. Network Configuration	7-44
7.8.1. Network Parameters	7-47
7.8.1.1. Cell Modem Configuration Parameters	7-55
7.8.1.2. IP Tables	7-56
7.8.2. Static Route	7-56
7.8.3. DNS Services	7-57
7.8.3.1. DNS Parameters	7-57
7.8.3.2. DDNS Parameters	7-57
7.8.4. SNMP Access Parameters	7-58
7.8.5. SNMP Trap Parameters	7-60
7.8.6. LDAP Parameters	7-61
7.8.6.1. Adding LDAP Groups	7-63
7.8.6.2. Viewing LDAP Groups	7-64
7.8.6.3. Modifying LDAP Groups	7-64
7.8.6.4. Deleting LDAP Groups	7-64
7.8.7. TACACS Parameters	7-65
7.8.8. RADIUS Parameters	7-68
7.8.8.1. Dictionary Support for RADIUS	7-69
7.8.9. Email Messaging Parameters	7-71
7.9. Save User Selected Parameters	7-72
7.9.1. Restore Configuration	7-72
8. Reboot Options	8-1
8.1. Ping-No-Answer Reboot	8-2
8.1.1. Adding Ping-No-Answer Reboots	8-2
8.1.2. Viewing Ping-No-Answer Reboot Profiles	8-4
8.1.3. Modifying Ping-No-Answer Reboot Profiles	8-4
8.1.4. Deleting Ping-No-Answer Reboot Profiles	8-4
8.2. Scheduled Reboot	8-5
8.2.1. Adding Scheduled Reboots	8-5
8.2.2. Viewing Scheduled Reboot Actions	8-6
8.2.3. Modifying Scheduled Reboots	8-6
8.2.4. Deleting Scheduled Reboots	8-6
9. Alarm Configuration	9-1
9.1. The Over Current Alarms (CPM-C Series Only)	9-2
9.1.1. Over Current Alarms - Load Shedding and Auto Recovery	9-4
9.2. The Over Temperature Alarms	9-6
9.2.1. Over Temperature Alarms - Load Shedding and Auto Recovery	9-8
9.3. The Lost Communication Alarm	9-10
9.4. The Ping-No-Answer Alarm	9-12
9.4.1. Ping-No-Answer Notification - DSM Series Units	9-12
9.4.1.1. Defining Ping No Answer IP Addresses - DSM Series Units	9-13
9.4.1.2. Configuring the Ping No Answer Alarm - DSM Series Units	9-15
9.4.2. Ping-No-Answer Alarm - CPM Series Units	9-16
9.5. The Serial Port Invalid Access Lockout Alarm	9-18
9.6. The Power Cycle Alarm	9-20
9.7. Buffer Threshold Alarm	9-21
9.8. The Plug Current Alarm (CPM-C Series Only)	9-23
9.9. The Lost Voltage Alarm (Dual Power Inlet Units Only)	9-26
9.10. The Emergency Shutoff Alarm (CPM Series Units Only)	9-28
9.11. The No Dialtone Alarm	9-30

10. The Status Screens	10-1
10.1. Product Status	10-1
10.2. The Network Status Screen	10-1
10.3. The Port Status Screen	10-2
10.4. The Port and Plug Status Screens (CPM Series Only)	10-3
10.5. The Plug Group Status Screen (CPM Series Only)	10-4
10.6. The Current Metering Status Screen (CPM-C Series Only)	10-5
10.7. The Event Logs	10-6
10.7.1. Viewing Event Logs via the Text Interface	10-6
10.7.2. Viewing Event Logs via the Web Browser Interface	10-7
10.8. The Port Diagnostics Screen	10-7
10.9. Alias Status Screen	10-7
10.10. The Alarm Status Screen	10-8
10.11. The Port Parameters Screens	10-8
11. SSH & Telnet Functions	11-1
11.1. Network Port Numbers	11-1
11.2. SSH Encryption	11-1
11.3. The Direct Connect Feature	11-2
11.3.1. Standard Telnet Protocol, SSH and Raw Socket	11-2
11.3.2. Configuration	11-2
11.3.3. Connecting to a Serial Port using Direct Connect	11-4
11.3.4. Terminating a Direct Connect Session	11-7
11.4. IP Aliasing	11-8
11.5. Creating an Outbound Telnet Connection	11-9
11.6. Creating an Outbound SSH Connection	11-10
12. Syslog Messages	12-1
12.1. Configuration	12-1
13. SNMP Traps	13-1
13.1. Configuration:	13-1
14. Operation via SNMP	14-1
14.1. DSM/CPM SNMP Agent	14-1
14.2. SNMPv3 Authentication and Encryption	14-1
14.3. Configuration via SNMP	14-2
14.3.1. Viewing Users	14-3
14.3.2. Adding Users	14-3
14.3.3. Modifying Users	14-3
14.3.4. Deleting Users	14-3
14.4. Plug Control via SNMP	14-4
14.4.1. Controlling Plugs	14-4
14.4.2. Controlling Plug Groups	14-5
14.5. Configuring Serial Ports	14-6
14.6. Viewing Unit Status via SNMP	14-7
14.6.1. System Status - Ethernet Port MAC Addresses	14-7
14.6.2. Plug Status	14-7
14.6.3. Unit Temperature Status	14-7
14.6.4. Alarm Status	14-8
14.7. Sending Traps via SNMP	14-9
15. Creating Web Certificates	15-1
15.1. Creating a Self Signed Certificate	15-2
15.2. Creating a Signed Certificate	15-3
15.3. Downloading the Server Private Key	15-5
15.4. Harden Web Security	15-5
15.5. TLS Mode	15-5

16. Saving and Restoring Configuration Parameters	16-1
16.1. Sending Parameters to a File	16-1
16.1.1. Downloading & Saving Parameters via Text Interface	16-1
16.1.2. Downloading & Saving Parameters via Web Browser Interface	15-2
16.2. Restoring Downloaded Parameters	15-2
16.3. Restoring Recently Saved Parameters	15-3
17. Upgrading DSM/CPM Firmware	17-1
17.1. WMU Enterprise Management Software (Recommended)	17-1
17.2. The Upgrade Firmware Function (Alternate Method)	17-1
18. Command Reference Guide	18-1
18.1. Command Conventions	18-1
18.2. Command Summary	18-2
18.3. Command Set	18-3
18.3.1. Display Commands	18-3
18.3.2. Control Commands	18-7
18.3.3. Configuration Commands	18-14

Appendices:

A. Specifications	Apx-1
A.1. Standard DSM Series Units	Apx-1
A.2. CPM Series Units	Apx-2
B. Serial Interface Description	Apx-3
B.1. Serial Port (RS232)	Apx-3
B.2. DSM and CPM Series RJ45 Serial Ports	Apx-4
C. Connecting Devices to RJ45 Serial Ports	Apx-5
C.1. Straight RJ-45 Cables and Rollover RJ-45 Cables	Apx-5
C.2. Connecting DB-9M DTE Devices	Apx-6
C.3. Connecting DB-25F DTE Devices	Apx-7
C.4. Connecting DB-25F DCE Devices	Apx-8
C.5. Connecting RJ-45 DCE Devices	Apx-9
C.6. DX9F-NULL-RJ Snap Adapter	Apx-9
D. Customer Service	Apx-10

List of Figures

2.1.	DSM-40 Series - Front Panel	2-1
2.2.	DSM-24 Series - Front Panel	2-1
2.3.	DSM-8 Series Units - Front Panel	2-1
2.4.	DSM-8 Series Units - Back Panel	2-3
2.5.	DSM-24 Series Units - Back Panel	2-3
2.6.	DSM-40 Series Units - Back Panel	2-3
2.7.	CPM-1600 Series - Front Panel	2-5
2.8.	CPM-1600-1 Series - Back Panel	2-7
2.9.	CPM-1600-2 Series - Back Panel	2-7
2.10.	CPM-800 Series - Front Panel	2-9
2.11.	CPM-800-1 - Back Panel	2-11
2.12.	CPM-800-2 - Back Panel	2-11
4.1.	Static Route Definition Example	4-4
5.1.	Terminal Block Assembly (DSM Series, DC Units Only)	5-2
7.1.	Boot Priority Example 1	7-31
7.2.	Boot Priority Example 2	7-32
7.3.	Network Selection Menu (Text Interface)	7-45
7.4.	Network Selection Menu (Web Interface)	7-45
15.1.	Web Access Parameters (Text Interface Only)	15-1
B.1.	DSM Series and CPM Series RS232 Port Interface (RJ45)	Apx-3
B.2.	RJ11 Phone Line Port (for Optional Internal Modem)	Apx-3
C.1.	Straight Cables	Apx-5
C.2.	Rollover Cables	Apx-5
C.3.	DX9F-DTE-RJ Snap Adapter Interface	Apx-6
C.4.	Connecting DB-9M DTE Devices to DSM and CPM Series Units	Apx-6
C.5.	DX25M-DTE-RJ Snap Adapter Interface	Apx-7
C.6.	Connecting DB-25F DTE Devices to DSM CPM Series Units	Apx-7
C.7.	DX25M-DCE-RJ Snap Adapter Interface	Apx-8
C.8.	Connecting DB-25F DCE Devices to DSM and CPM Series Units	Apx-8
C.9.	Connecting RJ-45 DCE Devices to DSM and CPM Series Units	Apx-9
C.10.	DX9F-NULL-RJ Snap Adapter Interface	Apx-9

1. Introduction

This User's Guide covers two WTI product lines: DSM Series Serial Console Servers and CPM Series Remote Site Managers with Power Control. Both of these product lines are designed to simplify the process of remotely managing vital network elements located at distant network equipment sites and off-site facilities. The DSM Series provides remote access to console port command functions on faraway network elements. CPM Series units provide remote access to console ports on distant network equipment and also include the ability to remotely control power switching and reboot functions at the remote network equipment site.

Security and Co-Location Features:

Secure Shell (SSHv2) encryption and address-specific IP security masks help to prevent unauthorized access to command and configuration functions.

The DSM/CPM provides four different levels of security for user accounts: Administrator, SuperUser, User and ViewOnly. The Administrator level provides complete access to all serial port and switched plug functions, status displays and configuration menus. The SuperUser level allows control of serial ports and plugs, but does not allow access to configuration functions. The User level allows access to only a select group of Administrator-defined serial ports and plugs. The ViewOnly level allows you to check unit status, but does not allow control of serial ports or switched outlets or access to configuration menus. The DSM/CPM includes full Radius, LDAP and TACACS capability, DHCP, an IP Address filter and an invalid access lockout feature. An Audit Log records all user access, login and logout times and command actions, and an Alarm Log records user-defined alarm events.

Environmental Monitoring and Management:

The DSM/CPM can constantly monitor temperature levels, ping response and other factors. If the DSM/CPM detects that user defined thresholds for these values have been exceeded, the unit can promptly provide notification via email, SNMP, or Syslog. When temperature readings exceed user-defined critical values, the DSM/CPM can also intelligently decrease the amount of heat being generated within the rack by temporarily shutting down nonessential devices; when readings return to acceptable levels, the DSM/CPM can restore power to those devices to return to normal operating conditions. The DSM/CPM also records temperature readings to a convenient log file.

In addition to the capabilities described above, CPM-C series units include current monitoring capabilities, allowing the unit to monitor and report current, power and voltage conditions at remote equipment sites. If current or power usage exceeds user-defined threshold values, the CPM-C can also generate alarms and shut down user-designated non-essential devices.

WTI Management Utility

DSM/CPM units include the WTI Enterprise Management Utility (WMU,) which allows you to manage multiple WTI units via a single menu. For more information on the Enterprise Management Utility, please refer to the WMU User's Guide, which can be downloaded from the WTI web site at: <http://www.wti.com/t-product-manuals.aspx>.

Model Numbers Covered

This User's Guide discusses several different models from our DSM Series and CPM Series product lines. Throughout this User's Guide, all of these units are referred to as the "DSM/CPM." In addition, when power control features are discussed, all CPM-1600 models and CPM-800 models are referred to as "CPM Series Units."

Typographic Conventions

^ (e.g. ^x)	Indicates a control character. For example, the text " ^x " (Control X) indicates the [Ctrl] key and the [X] key must be pressed simultaneously.
COURIER FONT	Indicates characters typed on the keyboard. For example, /RB or /ON 2 .
[Bold Font]	Text set in bold face and enclosed in square brackets, indicates a specific key. For example, [Enter] or [Esc] .
< >	Indicates required keyboard entries: For Example: /P <n> .
[]	Indicates optional keyboard entries. For Example: /P [n] .

2. Unit Description

2.1. DSM Series - Front Panel

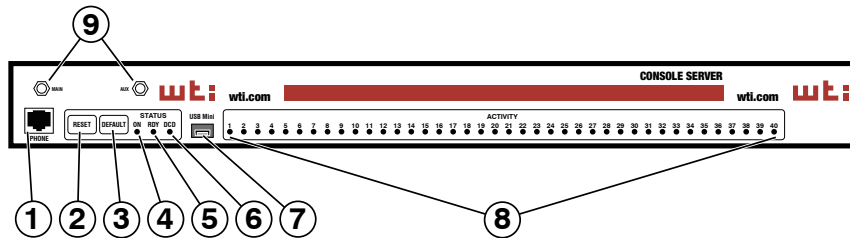


Figure 2.1: DSM-40 Series - Front Panel

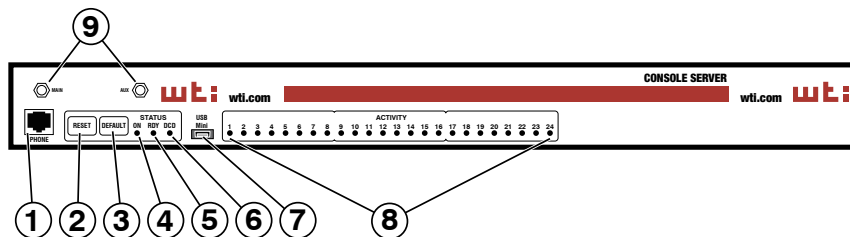


Figure 2.2: DSM-24 Series - Front Panel

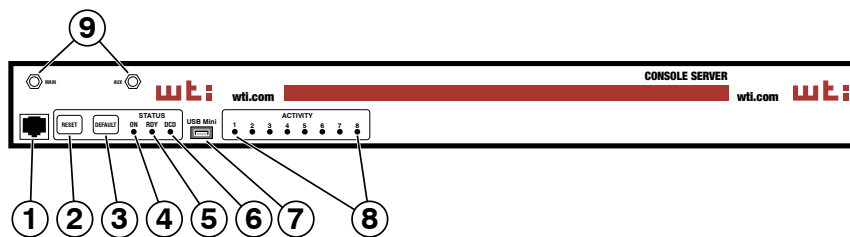


Figure 2.3: DSM-8 Series Units - Front Panel

As shown in Figures 2.1, 2.2 and 2.3, DSM Series front panels include the following components:

1. **Phone Line Port (Internal Dial-Up Modem Port):** When the internal Modem option is present, the phone line port is used for connection to your external phone line.
Note: *The phone line port is not present on DSM Series units that include the optional Cellular Modem.*
2. **RESET:** Restarts the DSM operating system as described in Section 2.7.
3. **DEFAULT:** Initializes the DSM to default parameters as described in Section 2.7.
4. **ON:** Lights when AC Power is applied.

5. **RDY:** (Ready) Flashes to indicate that the unit is operational.
6. **DCD:** (Data Carrier Detect) Lights when the DCD signal is present.
7. **USB Mini Port:** The USB Mini Port can be connected to a PC or laptop in order to provide local access to DSM command mode functions. When connecting a device to the USB Mini Port, please refer to Section 5.5. When configuring the USB Mini Port, please refer to Section 7.8.1.

Note: *Serial Port 1, on the DSM back panel can also be used to provide local access to DSM command mode.*

8. **ACTIVITY LEDs:** A series of LEDs, which will light when a CTS signal is detected, and will flash during data transmission to indicate activity at the corresponding port.
9. **Cellular Antenna Connectors (Optional):** When the Cellular Modem Option is present, the DSM front panel will include two screw-on connectors for the Cell Antennae. For more information on the Cellular Modem Option, please refer to Section 4.

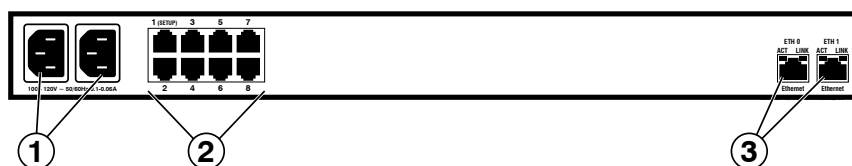


Figure 2.4: DSM-8 Series Units - Back Panel

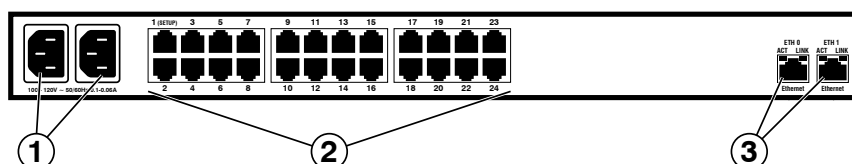


Figure 2.5: DSM-24 Series Units - Back Panel

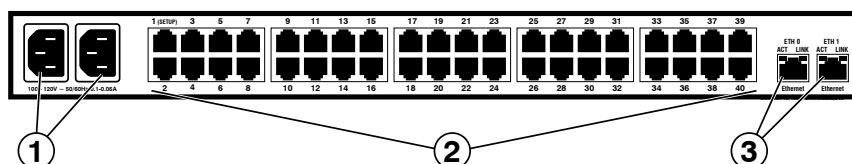


Figure 2.6: DSM-40 Series Units - Back Panel

2.2. DSM Series - Back Panel

As shown in Figures 2.4, 2.5 and 2.6, the DSM Back Panel includes the following components:

1. **Power Inlet(s):** IEC-320-C14 inlet(s), for connection to 00 to 240 VAC power supplies.

Notes:

- 48 VDC powered models include a terminal block assembly (see Figure 5.1) in place of the power inlet. For more information, please refer to Section 5.1.3.
 - Some DSM series units include an optional, secondary IEC-320-C14 power inlet. This allows connection to a secondary power source in power redundancy applications.
2. **RS232 Serial Ports:** For connection to console ports on target devices. Standard RJ45 connectors configured as DTE ports. The RS232 ports are similar to a serial port on a PC. When connecting a modem, use a standard serial cable. When connecting a PC or other DTE device, please refer to Section 5.7, Appendix B and Appendix C.
 - DSM-8 series units include 8 Serial Ports.
 - DSM-24 series units include 24 Serial Ports.
 - DSM-40 series units include 40 Serial Ports.

3. **Network Port(s):** RJ45 Ethernet port(s) for connection to your 10/100/1000 Base-T, TCP/IP network(s.) Each Network Port also includes two, small LED indicators for Link and Data Activity. For more information on Network Port configuration, please refer to Section 7.8.

Notes:

- *Some DSM series units include an optional, secondary Ethernet port. This allows the DSM to be connected to both a primary network and secondary network.*
- *The DSM features a default, IPv4 format IP address (192.168.168.168). This allows you to connect to the unit without first assigning an IP address.*
- *When connecting only a single network cable to a DSM series unit that includes the optional, secondary Network Port, make certain to connect to Port ETH0.*

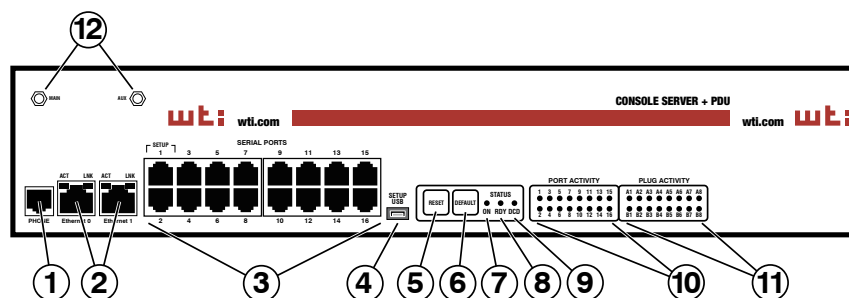


Figure 2.7: CPM-1600 Series - Front Panel

2.3. CPM-1600 Series - Front Panel

As shown in Figure 2.7, the CPM-1600 series front panel includes the following components:

1. **Phone Line Port (Internal Dial-Up Modem Port):** When the Internal Modem is present, the phone line port is used for connection to your external phone line.
Note: *The phone line port is not present on CPM Series units that include the optional Cellular Modem.*
2. **Network Port(s):** RJ45 Ethernet port(s) for connection to your 10/100/1000 Base-T, TCP/IP network(s.) Each Network Port also includes two, small LED indicators for Link and Data Activity. For more information on Network Port configuration, please refer to Section 7.8.

Notes:

- *Some CPM-1600 series units include an optional, secondary Ethernet port. This allows the CPM-1600 to be connected to both a primary network and secondary network.*
 - *The CPM-1600 features a default, IPv4 format IP address (192.168.168.168).*
 - *When connecting a only one network cable to an CPM-1600 series unit that includes the Dual Ethernet Ports option, make certain to connect to Port ETH0.*
3. **Serial Ports:** For connection to console ports on target devices. Standard RJ45 connectors configured as DCE ports. For more information on connecting devices to the serial ports, please refer to Section 5.7, Appendix B and Appendix C.
 4. **USB SetUp Port:** The USB SetUp Port can be connected to a PC or laptop in order to provide local access to CPM command mode functions. When connecting a device to the USB SetUp Port, please refer to Section 5.5. When configuring the USB SetUp Port, please refer to Section 7.8.1.
Note: *Serial Port 1, on the CPM front panel can also be used to provide local access to the CPM command mode.*
 5. **RESET Button:** Restarts the CPM-1600 as described in Section 2.7.
 6. **DEFAULT Button:** Switches all plugs Off or sets plugs to default values as described in Section 2.7.

7. **ON Indicator:** Lights when AC Power is applied to the unit.
8. **RDY Indicator:** (Ready) Flashes to indicate the unit is ready to receive commands.
9. **DCD Indicator:** The Data Carrier Detect indicator.
10. **Port Activity Indicators:** A series of LEDs, which will light when a CTS signal is detected and flash during data transmission to indicate activity at the port.
11. **Plug Activity Indicators:** A series of sixteen LED indicators which light when power is applied to the corresponding switched outlet.

Note: *Providing that power is still present at the secondary power inlet for a given branch, the Plug Activity indicators for that branch will blink on and off when the primary power source for that branch is lost or disconnected.*

12. **Cellular Antenna Connectors (Optional):** When the Cellular Modem Option is present, the CPM-1600 front panel will include two screw-on connectors for the Cell Antennae. For more information on the Cellular Modem Option, please refer to Section 4.

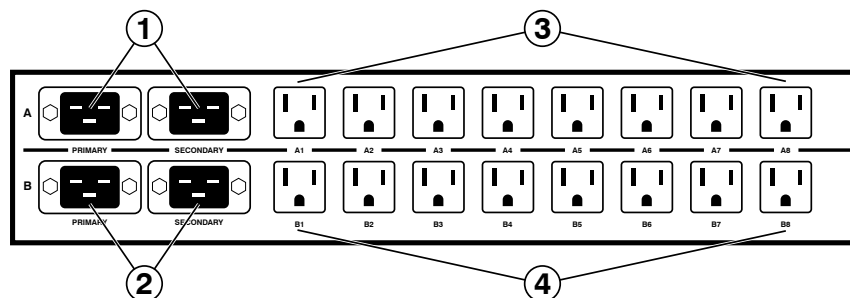


Figure 2.8: CPM-1600-1 Series - Back Panel

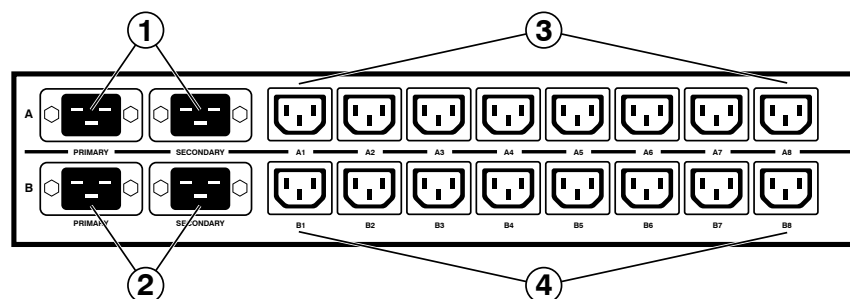


Figure 2.9: CPM-1600-2 Series - Back Panel

2.4. CPM-1600 Series - Back Panel

As shown in Figures 2.8 and 2.9, the CPM-1600 series back panel includes the following components:

1. **Branch A Power Inlets:** Two IEC-320-C20 inlets. Each outlet also includes a cable keeper (not shown.)
2. **Branch B Power Inlets:** Two IEC-320-C20 inlets. Each outlet also includes a cable keeper (not shown.)

Note: CPM-1600 Series units are available in either a Quad/Split Bus configuration or an ATS configuration.

- In standard CPM-1600 models, each power inlet supplies power to a single four-outlet Bus. If the power supply for any given power inlet fails, then the four-outlet bus associated with that power inlet will be deprived of power.
- CPM-1600-A models include an internal ATS switch. The two top power inlets supply power to the eight top power outlets and the two bottom power inlets supply power to the eight bottom power outlets. If the power supply connected to any given power inlet fails, then the CPM will automatically begin drawing power from the other power inlet on the branch.

3. **Branch A Switched Outlets:** Eight switched AC outlets.
 - **CPM-1600-1:** Eight (8) each, NEMA 5-15R Outlets.
 - **CPM-1600-2:** Eight (8) each, IEC320-C13 Outlets.
4. **Branch B Switched Outlets:** Eight switched AC outlets.
 - **CPM-1600-1:** Eight (8) each, NEMA 5-15R Outlets.
 - **CPM-1600-2:** Eight (8) each, IEC320-C13 Outlets.

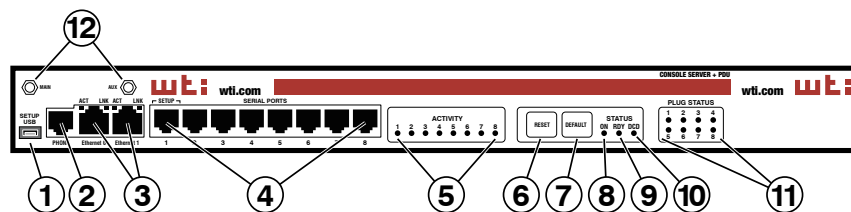


Figure 2.10: CPM-800 Series - Front Panel

2.5. CPM-800 Series - Front Panel

As shown in Figure 2.10, the CPM-800 series front panel includes the following components:

1. **USB SetUp Port:** The USB SetUp Port can be connected to a PC or laptop in order to provide local access to CPM command mode functions. When connecting a device to the USB SetUp Port, please refer to Section 5.5. When configuring the USB SetUp Port, please refer to Section 7.8.1.

Note: Serial Port 1, on the CPM front panel can also be used to provide local access to the CPM command mode.

2. **Phone Line Port (Internal Modem Port):** When the optional Internal Modem is present, the phone line port is used for connection to your external phone line.

Note: The phone line port is not present on CPM Series units that include the optional Cellular Modem.

3. **Network Port(s):** RJ45 Ethernet port(s) for connection to your 10/100/1000Base-T, TCP/IP network. Each Network Port includes two LED indicators for Link and Data Activity. For more information on port configuration, please refer to Section 7.8.

Note:

- Some CPM-800 series units include an optional, secondary Ethernet Port. This allows the CPM-800 to be connected to both a primary network and secondary network.
- The CPM features a default, IPv4 format address (192.168.168.168). This allows you to connect to the unit without first assigning an IP address..
- When connecting only a single network cable to an CPM-800 series unit that includes the optional, secondary Network Port, make certain to connect to Port ETH0.

4. **Serial Ports:** Eight serial ports for connection to console ports on target devices. Standard RJ45 connectors configured as DCE ports. For more information on connecting devices to the serial ports, please refer to Section 5.7, Appendix B and Appendix C.
5. **ACTIVITY Indicators:** A series of LEDs, which will light when a CTS signal is detected, and will flash during data transmission to indicate activity at the corresponding port.

6. **RESET Button:** Restarts the CPM-800 as described in Section 2.7.
7. **DEFAULT Button:** Switches all plugs Off or sets plugs to default values as described in Section 2.7.
8. **ON Indicator:** An LED Indicator which lights when AC Power is applied to the unit.
9. **RDY Indicator:** (Ready) Flashes to indicate that the unit is ready to receive commands.
10. **DCD Indicator:** The Data Carrier Detect indicator.
11. **Plug Status Indicators:** A series of eight LED indicators which light when power is applied to the corresponding switched outlet.

Note: *Providing that power is still present at the secondary power inlet, the Output Status indicators will blink on and off when the primary power source is lost or disconnected.*

12. **Cellular Antenna Connectors (Optional):** When the Cellular Modem Option is present, the CPM-800 front panel will include two screw-on connectors for the Cell Antennae. For more information on the Cellular Modem Option, please refer to Section 4.

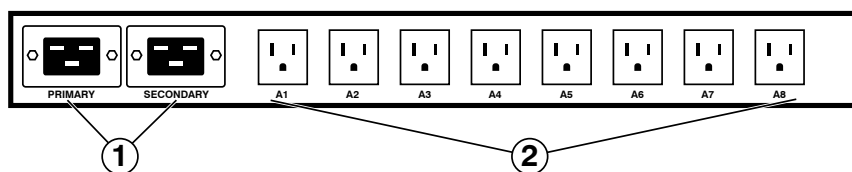


Figure 2.11: CPM-800-1 - Back Panel

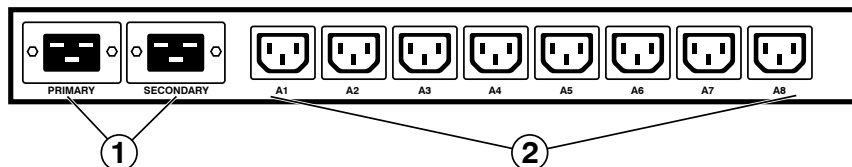


Figure 2.12: CPM-800-2 - Back Panel

2.6. CPM-800 Series - Back Panel

As shown in Figures 2.11 and 2.12, the CPM-800 series back panel includes the following components:

1. **Power Inlets:** Two IEC-320-C20 inlets, for connection to your primary and secondary power supplies. Each outlet also includes a cable keeper (not shown.)

Note: CPM-800 Series units are available in either a Dual/Split Bus configuration or an ATS configuration.

- In Dual/Split Bus CPM-800 models, each power inlet supplies power to a single four-outlet Bus. If the power supply for a given power inlet fails, then the four-outlet bus associated with that power inlet will be deprived of power.
- In ATS CPM-800 models, the two power inlets supply power to the all eight power outlets. If the power supply connected to either power inlet fails, then the CPM will automatically begin drawing power from the other power inlet on the branch.

2. **Switched Outlets:** Eight AC Outlets that can be switched On, Off or rebooted in response to user commands:
 - **CPM-800-1 Series:** Eight (8) each, NEMA 5-15R Outlets.
 - **CPM-800-2 Series:** Eight (8) each, IEC320-C13 Outlets.

2.7. Front Panel Button Functions

The front panel buttons can be used to perform several functions described below:

Notes:

- *Front Panel button functions can also be disabled via the System Parameters menu, as described in Section 7.2.*
- *When the DSM/CPM is reset to factory defaults, all user-defined configuration parameters will be cleared and the default “super” user account will also be restored.*
- *When the DSM/CPM is reinitialized, all ports will be disconnected.*
- *During the reboot procedure, all port activity LEDs will flash once.*

1. Reboot Operating System - Keep User-Defined Parameters:

- a) Press and hold the CLEAR (or RESET) button for five seconds, and then release.
- b) The DSM/CPM operating system will reboot; all user-defined parameters will be retained.

2. Reboot Operating System - Reset All Parameters to Factory Defaults:

- a) Simultaneously press both the SET (or DEFAULT) button and the CLEAR (or RESET) button, hold them for five seconds, and then release.
- b) The DSM/CPM operating system will reboot; all user-defined parameters will be reset to factory default settings.

Note: *The RDY Indicator will continue to blink for about 45 seconds while parameters are being erased and keys are rebuilt. The RDY Indicator will then stop blinking during the reboot.*

3. Getting Started

This section describes a simplified installation procedure for the DSM/CPM hardware, which will allow you to communicate with the unit in order to demonstrate basic features and check for proper operation.

Notes:

- *This section describes the procedure for communicating with the DSM/CPM unit and discusses basic port connection and power control functions. For a detailed description of configurations options and advanced operating features, please refer to the remainder of this User's Guide.*
- *If your DSM/CPM Series unit includes the Cellular Modem Option, it is recommended to complete this quick start procedure first and then proceed to Section 4, which describes the procedure for setting up cellular communication with the DSM/CPM device.*

3.1. Apply Power to the DSM/CPM

Refer to the safety precautions listed at the beginning of this User's Guide, and then connect the unit to an appropriate power source. Connect the power supply cable(s) to the unit's power inlet(s), snap the Cable Keeper(s) into place (if present,) and then connect the cable to an appropriate power supply.

Please refer to the power rating label on the unit concerning power requirements and maximum load. Note that some DSM/CPM series units feature two power inlets and CPM-1600 series units include four power inlets. When power is applied to the DSM/CPM, the ON LED on the instrument front panel should light, and the RDY LED should begin to flash within 90 seconds. This indicates that the unit is ready to receive commands.

3.2. Connect Your PC to the DSM/CPM

During this quick start procedure, the DSM/CPM can either be controlled by a local PC via Serial Port or USB Mini Port, or controlled remotely via modem or TCP/IP network. In order to select parameters, connect ports or control outlets, commands are issued to the DSM/CPM via either the Network Port, Modem Port, USB Mini Port or Serial Setup Port.

- **Network Port:** Connect the your network interface cable to the DSM/CPM Ethernet Port.

Note: *When connecting your network cable to a DSM/CPM unit that includes two Ethernet ports, make certain to connect to Port ETH0.*

- **Serial Port:** Use the supplied Ethernet cable and RJ45 to DB-9 adapter to connect your PC COM port to Serial Port 1 (the System SetUp Port.) For a description of the Serial Port Interface, please refer to Appendix B.
- **USB Mini Port:** When connecting to the USB Mini SetUp Port on a DSM or CPM Series unit, use a standard USB Mini Port cable.
- **Modem:** If the DSM/CPM includes an Internal Modem, connect your external phone line to the DSM/CPM Phone Line (Modem) Port.

Notes:

- *If the DSM/CPM unit includes the Cellular Modem Option, then during normal operation, the unit can also be controlled via cellular connection, as described in Section 4. However, for this quick start procedure, it is recommended to communicate with the DSM/CPM unit using one of the methods described above.*
- *DSM/CPM Series units that include the Cellular Modem Option do not include a dial-up Modem.*
- *Note that an external modem can also be connected to the DSM/CPM serial ports as described in Section 5.7, Appendix B and Appendix C.*
- *For cable recommendations and other information on connecting devices to the DSM/CPM unit, please refer to Appendix B and Appendix C.*

3.3. Communicating with the DSM/CPM

When properly installed and configured, the DSM/CPM will allow command mode access via Web Browser, SSH/Telnet client, modem, or local PC. However, in order to ensure security, both Web Browser and Telnet access are disabled in the default state. To enable Web Browser and/or Telnet access, please refer to Section 7.8.1.

Notes:

- *Default DSM/CPM serial port parameters are set as follows: 9600 bps, RTS/CTS Handshaking, 8 Data Bits, One Stop Bit, No Parity. Although these parameters can be easily redefined, for this Quick Start procedure, it is recommended to configure your communications program to accept the default parameters.*
 - *The DSM/CPM features a default IP Address (192.168.168.168) and a default Subnet Mask (255.255.255.0.) This allows network access to command mode, providing that you are contacting the DSM/CPM from a node on the same subnet. When attempting to access the DSM/CPM from a node that is not on the same subnet, please refer to Section 7.8.1 for further configuration instructions.*
 - *When connecting only a single network cable to a DSM/CPM unit that includes two Ethernet ports, make certain to connect to Port ETH0.*
1. **Access Command Mode:** The DSM/CPM includes two separate user interfaces; the Text Interface and the Web Browser Interface. The Text Interface is available via Local PC, SSH Client, Telnet, or Modem and can be used to both configure the DSM/CPM and create connections between ports. The Web Browser interface is only available via TCP/IP network, and can be used to configure the unit, but cannot create connections between ports.
 - a) **Via Local PC:** Start your communications program and then press **[Enter]**. Note that when viewed by a PC running Windows XP or later, the Serial COM Port menu will list the USB Mini Port as, "USB to Serial."
 - b) **Via SSH Client:** Start your SSH client, enter the default IP address (192.168.168.168) for the DSM/CPM and invoke the connect command.
 - c) **Via Web Browser:** Make certain that Web Browser access is enabled as described in Section 7.8.1. Start your JavaScript enabled Web Browser, enter the default IPv4 format DSM/CPM IP address (192.168.168.168) in the Web Browser address bar, and then press **[Enter]**.
 - d) **Via Telnet:** Make certain that Telnet access is enabled as described in Section 7.8.1. Start your Telnet client, and enter the DSM/CPM's default IPv4 format IP address (192.168.168.168).
 - e) **Via Modem:** Use your communications program to dial the number for the line connected to the DSM/CPM's Phone Line port.

Note: *If the Cellular Modem Option is present, the DSM/CPM can also be controlled via cellular, as described in Section 4. However, it is recommended to complete this quick start procedure before installing and enabling the Cellular Modem Option.*

2. **Username / Password Prompt:** A message will be displayed, which prompts you to enter your username (Login) and password.. The default username is "super" (all lower case, no quotes), and the default password is also "super". If a valid username and password are entered, the DSM/CPM will display either the Main Menu (Web Browser Interface) or the Port Status Screen (Text Interface.)

Notes:

- *The default Username is super.*
- *The default Password is super*
- *If a Login Banner has been defined as described in Section 7.2, then a banner page will appear before the command interface is displayed. The Login Banner can be used to display legal warnings or other information.*

3.4. Connecting Ports and Switching Outlets

Although both the Text Interface and Web Browser Interface allow you to select configuration parameters, the Text Interface is always used when invoking commands to connect ports. If you have previously accessed command mode via the Web Browser Interface, exit command mode (log out), then re-enter command mode using the Text Interface as described in Section 3.3.

Proceed as follows to connect ports and switch outlets:

1. **Review the Help Menu:** At the Text Interface command prompt, type `/H` and press **[Enter]** to display the Help Menu, which provides a basic listing of all available DSM/CPM commands.
2. **Creating Connections Between Ports:** The DSM/CPM can perform two different types of port connections; Resident Connections and Third Party Connections:
 - a) **Resident Connection:** Your resident port issues a `/C` command to connect to a second port.
 - i. To connect your resident port to Port 3, type `/c 3 [Enter]`. While you are connected to Port 3, the unit will not recognize additional commands issued via your resident port. However, the unit will recognize a Resident Disconnect Sequence issued at either connected port.
 - ii. Issue the Resident Disconnect Sequence (Logoff Sequence); type `^x` (press **[Ctrl]** and **[X]** at the same time).

- b) **Third Party Connection:** Your resident port issues a /C command to create a connection between two other ports.
 - i. To connect Port 3 to Port 4, type /c 3 4 [Enter].
 - ii. While Ports 3 and 4 are connected, your resident port will still recognize commands. Type /s [Enter] to display the Status Screen. The "STATUS" column should now list Ports 3 and 4 as connected and the other ports as "Free".
 - iii. Issue a Third Party Disconnect command; type /D 3 [Enter]. The unit will display the "Are you Sure (y/n)?" prompt. Type y and press [Enter] to disconnect.
 - iv. Type /s [Enter] to display the Status Screen. The "STATUS" column should now list Ports 3 and 4 as "Free".

Note: *Although the Web Browser Interface cannot be used to connect DSM/CPM serial ports, it can be used to disconnect DSM/CPM serial ports as described in Section 6.2.1.3.*

3. **Controlling Outlets (CPM Series Models Only):** You may wish to perform the following tests in order to make certain that the switched outlets are functioning properly.

Notes:

- *Switched outlets can also be controlled via the Web Browser Interface as described in Section 6.3.*
 - *The Switched Outlets are not present on standard DSM Series units.*
- a) **Reboot Outlet:** At the command prompt, type /BOOT 1 and press [Enter]. The status indicator for Plug 1 should go Off, pause for a moment and then go back On, indicating that the boot cycle has been successfully completed.
 - b) **Switch Outlet Off:** At the command prompt, type /OFF 1 and then press [Enter]. The status indicator for Plug 1 should go Off, indicating that the command has been successfully completed. Leave Plug 1 in the "Off" state, and then proceed to the next step.
 - c) **Switch Outlet On:** At the command prompt, type /ON 1 and press [Enter]. The status indicator for Plug 1 should then go back On, indicating that the command has been successfully completed.
4. **Exit Command Mode:** To exit command mode, type /x and press [Enter].

3.5. The WMU Enterprise Management Solution

The WMU Enterprise Management Solution provides a centralized interface that can be used to configure, manage and control multiple WTI out-of-band management devices spread throughout a large corporate network infrastructure. When installed at your network operation center or support facility, the WMU eliminates the need to individually access WTI units in order to perform firmware updates, control power switching functions, edit user accounts and perform other management and control functions.

The WMU software and user's guide can be downloaded at:

<ftp://wtiftp.wti.com/pub/TechSupport/WMU/WtiManagementUtilityInstall.exe>

3.6. The Cellular Modem Option

If your DSM/CPM Series unit includes the Cellular Modem Option, proceed to Section 4 for instructions regarding setting up cellular communication.

This completes the Quick Start procedure for the DSM/CPM. Prior to placing the unit into operation, it is recommended to refer to the remainder of this user's guide for important information regarding advanced configuration capabilities and more detailed operation instructions. If you have further questions regarding the DSM/CPM unit, please contact WTI Customer Support as described in Appendix D.

4. Cellular Modem Option

This section provides a basic overview of the procedure for installing and setting up WTI's Cellular Modem option on DSM/CPM series products.

Notes:

- *Prior to setting up the Cellular Modem Option, it is recommended to perform the quick start procedure described in Section 3.*
- *When accessing the DSM/CPM Command Mode, please refer to Section 3.3 or Section 6.1 for further instructions.*
- *It is recommended to use the Text Interface (Command Line Interface) when setting up the Cellular Modem Option.*

4.1. Installation

In order to communicate with your DSM/CPM device via the Cellular Modem Option, you will first need to purchase a cellular plan. When choosing a cellular plan, WTI recommends that the plan should provide the following:

- A Static IP Address
- A VPN (Virtual Private Network)

4.1.1. Attach the Cellular Antennae

Attach the two Cellular Antennae, (included with the unit,) to the two threaded connectors on the DSM/CPM face plate.

4.1.2. Installing the SIM Card

Once you have purchased a cellular plan, the next step is to install the SIM card, (provided with your cellular plan,) in your DSM/CPM device. To install the SIM card, proceed as follows:

Note: *Prior to installing the SIM Card, make certain that your WTI DSM or CPM series unit is powered Off.*

1. Remove the SIM Card cover panel on the left hand side of the WTI unit, located adjacent to the cellular antenna. Note that the panel is held in place by a small Phillips Head screw.
2. Carefully slide the SIM card into the SIM Card Slot with the keyed/notched corner of the card facing towards the unit's faceplate (see diagram on cover plate.) Make certain the SIM Card is firmly seated, but do not apply excess pressure that might damage the card.
3. Replace the panel that covers the SIM Card Slot, reinstall the retaining screw and restore power to the DSM/CPM unit.

4.1.3. Configuring the SIM Card

After installing the SIM Card, use the `/ce11` command to configure the SIM Card as described below:

1. Access the Text Interface Command Mode for the DSM/CPM Series unit as described in Section 6.1.
2. When the command prompt appears, type `/ce11` and press **[Enter]** to display the Cell Modem Statistics menu.
3. From the Cell Modem Statistics menu, type `1` and press **[Enter]** to display the Access Point Name (APN) Configuration menu.
4. Key in the APN, (supplied with your cellular plan,) and press **[Enter]**. The Cellular Modem Option will be automatically configured, based on the information on the SIM Card.
5. The configuration procedure will require several minutes. When configuration is complete, Cell Modem Statistics menu be redisplayed, indicating that configuration was successful.

4.2 Defining the Static Route

After the SIM Card has been installed and configured, the next step is to define the Static Route.

Note: *The Static Route is only required if the Cell Modem Port is not defined as the default gateway.*

4.2.1. Defining Static Route when Default Gateway Address is Known

If you already know the default gateway address for your cellular network, then proceed as follows. If you don't know the default gateway address, please proceed to Section 4.2.2.

1. Type `/p modem` and press **[Enter]** to display the Cell Modem Parameters menu.
2. When the Cell Modem Parameters menu is displayed, select Static Route to display the Static Route submenu. When the Static Route submenu is displayed, key in a number for the first vacant Static Route definition line and press **[Enter]**.
3. Define the Static Route using the following format:

```
route add GGG.GGG.GGG.GGG gw CCC.CCC.CCC.CCC
```

Where:

`GGG.GGG.GGG.GGG` is the default Gateway Address
`ccc.ccc.ccc.ccc` is the IP Address for the Cell Modem.

4. Press **[Esc]** once to exit the Static Route menu, then press **[Esc]** again to exit the Cell Modem Parameters menu and save the newly defined Static Route. Note that it may require several minutes for the Cell Modem to save newly defined parameters.
5. Perform the verification procedure described in Section 4.4 to make certain that cellular access has been properly enabled.

4.2.2. Defining Static Route when Default Gateway Address is Unknown

If you don't know the default gateway address used by the cellular network, then you will need to use the DSM/CPM's `/bash` command to display the default gateway address as described below:

1. If you are communicating via local network and do not require the default gateway address, log into the DSM/CPM unit via serial port, USB or network (if your network is on the same network and doesn't require the default gateway.)
2. **Temporarily Disable Default Gateway for the Network Port:** When the command prompt appears, type `/n` and press **[Enter]** to display the Network Parameters menu.
 - a) At the Network Parameters menu, select Gateway Address. The Gateway Address submenu will be displayed. Record the currently defined Gateway Address.

Note: *Make certain to write down or save the currently defined Gateway Address; you will need this address later, when you re-enable the Default Gateway at the Network port after Static Route definition is complete.*

- b) At the Gateway Address submenu, press the **[Space]** bar and then press **[Enter]**. This will delete the currently defined Gateway Address, disabling the Default Gateway at the Network Port.
 - c) Press **[Esc]** twice to exit the Network Parameters menu and save changed parameters.
3. **Enable the Default Gateway for the Cell Modem Port:** At the Text Interface command prompt, type `/p modem` and then press **[Enter]** to display the Cell Modem Parameters menu.
 - a) When the Cell Modem Parameters menu is displayed, type `1` and press **[Enter]** to access the Default Gateway menu. Use the menu to enable the Default Gateway for the Cell Modem Port.
 - b) Press **[Esc]** twice to exit the Default Gateway menu and save newly defined parameters.

Note: *It may require several minutes for the Cell Modem to save the newly defined Default Gateway status.*

4. **Display the IP Address for the Cell Modem Port:**
 - a) At the DSM/CPM command prompt, type `/ce11` and press **[Enter]** to display the Cell Modem Statistics menu.
 - b) When the Cell Modem Statistics menu is displayed, write down the IP Address for the Cell Modem Port (listed under the Cell Connection Information heading.)
 - c) Press **[Esc]** to exit from the Cell Modem Statistics menu.
5. Establish an SSH connection to the DSM/CPM unit **via the cellular network.**

6. **Display the Gateway Address:** At the DSM/CPM command prompt, type `/bash netstat -nat` and press **[Enter]** to display the Active Internet Connections screen. Note that it may take several minutes for the unit to respond.
 - a) The Cell Modem Port IP Address will be displayed in the "Foreign Address" column.
 - b) The "State" column for the Cell Modem Port IP address will read "Established."
 - c) Note the Gateway Address (Local Address,) that corresponds with the Cell Modem Port IP address (Foreign Address.)
 - d) To exit from the Active Internet Connections menu, press **[Enter]**.
7. **Define the Static Route:** At the DSM/CPM command prompt, type `/p modem` and press **[Enter]** to display the Cell Modem Parameters menu.
 - a) When the Cell Modem Parameters menu is displayed, select Static Route to access the Static Route submenu. When the Static Route submenu is displayed, key in a number for the first vacant Static Route definition line and press **[Enter]**.
 - b) At the Static Route menu, refer to the Cell Modem Port Address (Foreign Address) and Gateway Address (Local Address) that were determined above. Enter a route command using the following format:


```
route add GGG.GGG.GGG.GGG gw CCC.CCC.CCC.CCC
```

 Where:
 - GGG.GGG.GGG.GGG is the Gateway Address (Local Address)
 - CCC.CCC.CCC.CCC is the Cell Modem Address (Foreign Address)
 - c) Press **[Enter]** to select the newly defined Static Route, then press **[Esc]** twice to save the Static Route definition and exit the Static Route menu. Note that it will require several minutes for newly defined parameters to be saved.
 - d) For more information, please refer to the following example.

Static Route Definition Example:

Assume that the address for the Cell Modem Port address (Foreign Address) is `CCC.CCC.CCC.CCC` and the `netstat` function returns the Active Internet Connections screen shown in Figure 4.1 below. In this example, the Gateway Address (Local Address) would be `GGG.GGG.GGG.GGG`. Therefore, the static route would be defined as follows:

```
route add GGG.GGG.GGG.GGG gw CCC.CCC.CCC.CCC
```

Active Internet connections (servers and established)						
Proto	Recv-Q	Send-Q	Local Address	Foreign Address	State	
tcp	0	0	0.0.0:22	0.0.0.0:*	LISTEN	
tcp	0	0	GGG.GGG.GGG.GGG:22	CCC.CCC.CCC.CCC:2892	ESTABLISHED	
tcp	0	0	:::22	:::*	LISTEN	

Figure 4.1: Static Route Definition Example

8. Disable the Default Gateway for the Cell Modem Port:

- a) At the DSM/CPM command prompt, type `/p modem` and press **[Enter]** to display the Cell Modem Parameters menu.
- b) When the Cell Modem Parameters menu is displayed, access the Default Gateway submenu and disable the Default Gateway for the Cell Modem Port.
- c) Press **[Esc]** twice to exit from the Cell Modem Parameters and save the newly defined Default Gateway Status.

Note: *It may require several minutes for the Cell Modem to save the newly defined parameters.*

9. Re-Enable the Default Gateway for the Network Port: When the command prompt appears, type `/n` and press **[Enter]** to display the Network Parameters menu.

- a) At the Network Parameters menu, select Gateway Address. The Gateway Address submenu will be displayed.
- b) At the Gateway Address submenu, key in the previous Gateway Address that you saved in Step 2 at the beginning of this section and then press **[Enter]**.
- c) Press **[Esc]** twice to exit the Network Parameters menu and save changed parameters.

Note: *It may require several minutes for the Cell Modem to save the newly defined parameters.*

4.3. Enable Web Services

If you need to allow access to the DSM/CPM's web browser interface via cellular, you must enable Web Services via the Cell Modem Parameters menu.

1. At the DSM/CPM command prompt, type `/p modem` and press **[Enter]** to display the Cell Modem Parameters menu.
2. When the Cell Modem Parameters menu appears, use the Web Services option to enable Web access via cellular.
3. Press **[Esc]** twice to exit from the Cell Modem Parameters menu and save the newly defined Web Services status.

Note: *It may require several minutes for the Cell Modem to save the newly defined Web Services status.*

4.4. Verify that Cellular Access is Available

After setting up Cellular Access, it is recommended to perform this procedure to verify that the procedure was completed successfully.

1. If you are still connected to the DSM/CPM command mode, type `/x` and press **[Enter]** to disconnect from the unit.
2. **Verify Cellular Access to Text Interface (CLI):**
 - a) Create an SSH connection to the DSM/CPM via cell. When the login prompt is displayed, enter your username and password. When the command prompt appears, type `/ce11` and press **[Enter]**.
 - b) If the Cell Modem Statistics screen appears, this indicates that cellular network access has been successfully enabled.
 - c) If the Cell Modem Statistics screen fails to appear after several minutes, this probably means that there is an error in the definition of the Static Route. In this case, use the procedure described in Section 4.2 to display the Static Route definition. Carefully check the Static Route definition to make sure that the IP addresses were entered correctly and that there are no syntax errors.
3. **Verify Cellular Access to Web Browser Interface:**
 - a) Start your Web Browser, key the Cell Modem Port IP Address for the DSM/CPM into the browser's address bar. When the login prompt is displayed, key in your username and password.
 - b) If the DSM/CPM home page is displayed, this means that cellular access to the DSM/CPM has been successfully enabled.
 - c) If the DSM/CPM home page is not displayed, this probably means that either Web Access has not been enabled as described in Section 4.3 or there is an error in the Static Route definition.
 - i. **Web Access Not Enabled:** Make certain that web access has been enabled as described in Section 4.3.
 - ii. **Static Route Error:** Use the procedure described in Section 4.2 to display the Static Route definition. Carefully check the Static Route definition to make sure that the IP address were entered correctly and that there are no syntax errors.

4.5. Setting Up the Firewall/IP Tables (Optional)

If you wish to restrict access to the DSM/CPM unit via cellular, you must define a firewall. The IP Tables menu is used to define a firewall which determines which IP addresses will be allowed to access the DSM/CPM unit via cellular and which IP addresses will be denied. To define the firewall, proceed as follows:

1. At the Text Interface command prompt, type `/p modem` and press **[Enter]** to display the Cell Modem Parameters menu.
2. When the Cell Modem Parameters menu is displayed, select the IP Tables option.
3. When the IP Tables menu is displayed, use Linux syntax to determine which IP address(es) will be allowed access and which IP address(es) will be denied. In most cases, the IP Tables should allow access to administrators and deny access to everybody else.

This completes the set-up procedure for the WTI Cellular Modem Option. For further information, please refer to the remainder of this User's Guide.

5. Hardware Installation

5.1. Connecting the Power Supply Cables

5.1.1. Connect the DSM/CPM to Your Power Supply

Refer to the cautions listed below and at the beginning of this User's Guide, and then connect the DSM/CPM unit to an appropriate power supply.



CAUTIONS:



- *Before attempting to install this unit, please review the warnings and cautions listed at the front of the user's guide.*
- *This device should only be operated with the type of power source indicated on the instrument nameplate. If you are not sure of the type of power service available, please contact your local power company.*
- *Reliable earthing (grounding) of this unit must be maintained. Particular attention should be given to supply connections when connecting to power strips, rather than directly to the branch circuit.*
- *Some DSM/CPM models include an optional, secondary power inlet in order to allow connection to a secondary power supply.*
- *CPM-1600 Series units include four power inlets split between either two branches or four branches.*

5.1.2. Installing the Power Supply Cable Keeper (CPM Models Only)

CPM Series units includes a cable keeper, which is designed to prevent the AC power supply cable from being accidentally disconnected from the unit.

When attaching power supply cable(s) to the unit, first swing the cable keeper out of the way, then plug the power cable securely into the power input. When the cable is in place, snap the cable keeper over the plug to secure the cable to the unit.

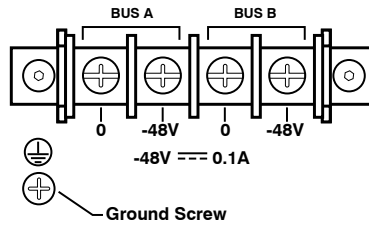


Figure 5.1: Terminal Block Assembly (DSM Series, DC Units Only)

5.1.3. DC Powered Units

When connecting a DC Powered DSM Series unit to your DC Power source, note that the DC terminal block is designed for connection to two separate power sources. First remove the protective cover from the terminal block, attach the wires from the -48 VDC power sources to the screw terminals, connect the ground line to the labeled ground screw, tighten the screw terminals, making certain that the wires are securely fastened, and then replace the protective cover.

5.2. Connecting the Network Cable

The Network Port is an RJ45 Ethernet jack, for connection to a TCP/IP network. Connect your 10/100/1000Base-T cable to the Network Port. Some DSM/CPM series units include an optional, secondary Network port in addition to the primary network port.

Note that the DSM/CPM includes a default IPv4 protocol IP address (192.168.168.168) and a default IPv4 protocol subnet mask (255.255.255.0.) When installing the DSM/CPM in a working network environment, it is recommended to define network parameters as described in Section 7.8.

Note: When connecting only one network cable to a DSM/CPM unit that includes two Ethernet ports make certain to connect to Port ETH0.

5.3. The Internal Modem Port

If your DSM/CPM unit includes the optional internal modem, connect an RJ11 phone line to the Phone Line Port. For information on Modem configuration, please refer to Section 6.2.4, Section 6.2.5 and Section 7.7. Note that an external modem can also be connected to the DSM/CPM serial ports as described in Section 5.7, Appendix B and Appendix C.

Note: *DSM/CPM Series units that include the Cellular Modem Option do not include an internal, dial-up modem.*

5.4. The Cellular Modem Option

If your DSM/CPM unit includes the Cellular Modem Option, please refer to Section 4 in this User's Guide for Set Up instructions.

5.5. Connection to the SetUp Port(s)

In order to select configuration parameters and review unit status, commands are issued to the DSM/CPM via either the Network Port, Setup Port or USB Mini Port. Note that it is not necessary to connect to all three ports. Connect your PC COM Port to the SetUp Port or USB Mini Port. For a description of the SetUp Port pinout, please refer to Appendix B.

- **RJ45 SetUp Port:** When connecting to the RJ45 SetUp Port, use the supplied DX9F-DTE-RJ adapter and RJ45 Ethernet cable to connect your PC COM port to the SRM's SetUp Port (Serial Port 1.)
- **USB Mini SetUp Port:** When connecting to the USB Mini Port, use a standard USB Mini Port cable.

5.6. Connection to Switched Outlets (CPM Units Only)

Connect the power cord from your switched device to one of the AC Outlets located on the CPM series unit back panel. Note that when power is applied to the CPM series unit, the AC Outlets will be switched "ON" by default.

Note: *Power control features are not available on standard DSM Series Units. Switched Outlets are only available on CPM series units.*

5.7. Connecting Devices to the DSM/CPM Serial Ports

DSM/CPM units feature RJ45 RS232 connectors, wired in a DCE configuration. In the default state, the serial ports are configured for 9600 bps, no parity, 8 data bits, 1 stop bit. For a description of the serial port interface, please refer to Appendix B.

When properly configured, the serial ports can be connected to almost any device that includes an RS232 console port. In addition, the serial ports can also be used to allow local users to configure and control the DSM/CPM unit; Serial Port 1 is designated as a "Set Up Port", and accordingly cannot be reconfigured as a buffer mode or passive mode port in order to ensure the port's availability for local communication with the DSM/CPM.

Notes:

- *For cable recommendations and other information on connecting devices to the DSM/CPM unit, please refer to Appendix B and Appendix C.*
- *To connect external modems, router switches, or other DTE and DCE devices to the DSM/CPM serial ports, please refer to Appendix C for information regarding cables and adapters.*

After connecting new devices to DSM/CPM Serial Ports, access the DSM/CPM command mode and select communication parameters for each serial port as described in Section 7.7.

5.8. Emergency Shut Off Function

CPM series units also include an Emergency Shut Off function, that can be used to immediately shut off all power outlets in case of emergency. For more information regarding the Emergency Shut Off feature, please contact WTI Tech Support at service@wti.com.

This completes the DSM/CPM installation instructions. Please proceed to the next section for instructions regarding basic unit configuration.

6. Basic Operation

6.1. Communicating with the DSM/CPM Unit

In order to configure and control the DSM/CPM, you must first establish a connection to the unit, and access command mode. The DSM/CPM offers two separate configuration and control interfaces; the Web Browser Interface and the Text Interface. The DSM/CPM also offers four different methods for accessing command mode; via network, via local console, via dial-up modem (providing that a modem is present) or via cellular (providing that the Cellular Modem Option is present.) The Web Browser interface is only available via network, local console or cellular, and the Text Interface is available via network (SSH or Telnet), dial-up modem, cellular modem or local PC.

Note: *The DSM/CPM can also be controlled and managed via the included WMU Enterprise Management Software. For more information on the WMU Enterprise Management Software, please refer to Section 6.1.3.*

6.1.1. The Text Interface

The Text Interface (also known as "Command Line Interface" or "CLI") consists of a series of text menus, which allow you to set options and parameters by entering the number for the desired option using your keyboard, and then typing in a value for the option.

Since the Web Browser Interface and Telnet accessibility are both disabled in the default state, you will need to use the Text Interface to contact the unit via Local PC or SSH connection when setting up the unit for the first time. After you have accessed command mode using the Text Interface, you can then enable Web Access and Telnet Access, if desired, in order to allow future communication with the unit via Web Browser or Telnet. You will not be able to contact the unit via Web Browser or Telnet until you have enabled those options.

Once access is enabled, you will then be able to use the Text Interface to communicate with the DSM/CPM via local PC, Telnet or SSH connection. You can also use the Text Interface to access command mode via dial-up modem, providing that a dial-up modem is present.

- **Access via Network:** The DSM/CPM must be connected to your TCP/IP Network, and your PC must include a communications program (such as TeraTerm or PuTTY.)
- **Access via Dial-Up Modem:** A phone line must be connected to the internal modem (if present.) In addition, your PC must include a communications program.
- **Access via Cellular Modem:** Cellular communication with the DSM/CPM is only available when the Cellular Modem Option is present.
- **Access via Local PC:** Your PC must be connected to the DSM/CPM Serial SetUp Port, the SetUp Port must be configured for Any-to-Any Mode, (default port Mode for the SetUp Port,) and your PC must include a communications program. Serial Port 1 is designated as a Set Up Port, and by default, is configured for communication with a local control device. DSM and CPM units also include a USB Mini format SetUp Port. For instructions regarding configuration of the USB Mini SetUp Port, please refer to Section 7.8.1.

To access command mode via the Text Interface, proceed as follows:

Notes:

- *When communicating with the unit for the first time, you will not be able to contact the unit via Telnet until you have accessed command mode, via Local PC or SSH Client, and used the Network Parameters Menu to enable Telnet as described in Section 7.8.*
- *Some DSM and CPM series units include an optional, secondary Ethernet Port in addition to the primary Ethernet port in order to allow connection to both a primary and secondary network.*
- *When connecting only one network cable to a DSM/CPM unit that includes two Ethernet ports, make certain to connect the cable to Port ETH0.*

1. Contact the DSM/CPM Unit:

- a) **Via Local PC:** Start your communications program and press **[Enter]**. Wait for the connect message, then proceed to Step 2. Note that when viewed by a PC running Windows XP or later, the Serial COM Port menu will list the USB Mini Port as, "USB to Serial."
- b) **Via Network:** The DSM/CPM includes a default IPv4 format IP address (192.168.168.168) and a default IPv4 format subnet mask (255.255.255.0.) This allows you to contact the unit from any network node on the same subnet, without first assigning an IP Address to the unit. For more information, please refer to Section 7.8.
 - i. **Via SSH Client:** Start your SSH client, and enter the DSM/CPM's IP Address. Invoke the connect command, wait for the connect message, then proceed to Step 2.
 - ii. **Via Telnet:** Start your Telnet Client, and then Telnet to the DSM/CPM's IP Address. Wait for the connect message, then proceed to Step 2.
- c) **Via Dial-Up Modem:** If your DSM/CPM unit includes the optional external modem or if you have installed a modem at one of the DSM/CPM serial ports, you can then use your communications program to dial the number for the phone line that you have connected to the modem.
- d) **Via Cellular:** If your DSM/CPM unit includes the Cellular Modem Option, and the cellular modem has been set up as described in Section 4, you can then use your communications program to connect to the IP address for the cellular modem.

2. **Login / Password Prompt:** A message will be displayed, which prompts you to enter a username (login name) and password. The default username is **super** (all lower case,) and the default password is also **super**.

Note: *If a Login Banner has been defined as described in Section 7.2, then a banner page will appear before the command prompt is displayed. The Login Banner can be used to display legal warnings or other information.*

6.1.2. The Web Browser Interface

The Web Browser Interface consists of a series of web forms, which can be used to select configuration parameters, disconnect serial ports and perform power switching and reboot operations (power control functions are only available on CPM units,) by clicking on buttons and/or entering text into designated fields.

Note: *In order to use the Web Browser Interface, Web Access must first be enabled via the Text Interface Network Parameters Menu (IN), the DSM/CPM must be connected to a TCP/IP network, and your PC must be equipped with a JavaScript enabled web browser.*

1. Start your JavaScript enabled Web Browser, key the DSM/CPM's default IPv4 format IP address (192.168.168.168) into the web browser's address bar, and press **[Enter]**.
2. **Username / Password Prompt:** A message box will prompt you to enter your username and password. The default username is **super** (all lower case), and the default password is also **super**.

Note: *If a Login Banner has been defined as described in Section 7.2, then a banner page will appear before the command prompt is displayed. The Login Banner can be used to display legal warnings or other information.*

6.1.3. The WMU Enterprise Management Solution

The WMU Enterprise Management Solution provides a centralized interface that can be used to configure, manage and control multiple WTI out-of-band management devices spread throughout a large corporate network infrastructure. When installed at your network operation center or support facility, the WMU eliminates the need to individually access WTI units in order to perform firmware updates, control power switching functions, edit user accounts and perform other management and control functions.

The WMU software and user's guide can be downloaded at:

<ftp://wtiftp.wti.com/pub/TechSupport/WMU/WtiManagementUtilityInstall.exe>

6.2. Connecting and Disconnecting Serial Ports - Text Interface

The Text Interface can be used to create connections between DSM/CPM serial ports. This allows you to access the console port of a connected device, or allow connected devices to access the DSM/CPM's internal modem or network port.

Note: *The Web Browser Interface cannot be used to connect ports, but can be used to disconnect ports. In order to connect ports, you must access command mode via the Text Interface.*

As discussed in Section 7.7.1, There are four available operating modes for DSM/CPM serial ports: the Any-to-Any Mode, the Passive Mode, the Buffer Mode, the Modem Mode and the Modem PPP Mode.

6.2.1. Any-to-Any Mode

Any-to-Any Mode Ports can be connected to other Any-to-Any, Passive, Buffer, or Modem Mode ports by accessing command mode via the Text Interface and issuing the /C Command. All ports can be configured for Any-to-Any Mode, and it is also the default mode for Port 1.

6.2.1.1. Connecting Ports - Text Interface

Two different types of connections can be made between DSM/CPM serial ports; Resident Connections and Third Party Connections. The DSM/CPM allows communication between devices without the requirement that both ports use the same communication parameters.

- **Resident Connections:** Your resident port issues a /C command to connect to a second port. For example, Port 4 issues the /C command to connect to Port 5.
- **Third Party Connections:** (Administrator and SuperUser Mode Only) Your resident port issues a /C command to create a connection between two *other* ports. For example, Port 1 is your resident port, and Port 1 issues a command to connect Port 2 to Port 3.

Notes:

- *Third Party Connections can only be initiated by accounts and ports that permit Administrator or SuperUser level commands.*
- *The serial ports cannot employ the /C command to initiate a connection to the Network Port.*
- *User level accounts are only allowed to connect to ports that are specifically allowed by the account. Administrator and SuperUser level are allowed to connect to all serial ports.*
- *Text Interface commands are **not** case sensitive. When used in port connection/disconnection command lines, port names are also **not** case sensitive.*

To connect ports using the Text Interface, proceed as follows:

1. Access command mode via the Text Interface.
2. Invoke the /C command to connect the desired ports.
 - a) **Resident Connect:** To connect your resident port to another port, type /C **xx** [Enter]. Where **xx** is the number or name of the port you want to connect. The DSM/CPM will display the numbers of the connected ports, along with the command required in order to disconnect the two ports.

Example: To connect your resident port to Port 8, type /C 8 [Enter].

- b) **Third Party Connect:** (Administrator and SuperUser Mode Only) To connect any two ports (other than your resident port), type /C **xx xx** [Enter]. Where **xx** and **xx** are two port names or numbers. The DSM/CPM will display the numbers of the two connected ports.

Example: To connect Port 5 to Port 6, access command mode at a third port that permits Administrator level commands (using an account that also permits Administrator or SuperUser level commands), and invoke the following command: /C 5 6 [Enter].

Notes:

- **Resident Connections:** *DSM/CPM serial ports are not allowed to initiate a Resident Connection to the Network Port.*
- **Third Party Connections:** *Serial ports are not allowed to connect another port to the network port. For example, Port 1 is not allowed to connect Port 3 to the Network Port.*

Notes:

- *When the Inactivity Timeout is disabled, this allows ports to automatically reconnect after a power interruption. When power is restored to the unit, pairs of ports that were previously connected will be automatically reconnected, providing that the Inactivity Timeout is disabled at both ports, and the two ports have been connected for at least ten minutes prior to the power interruption.*
- *The only exception to this rule is Serial Port 1, which will remain disconnected after power is restored in order to provide a free serial port for local access to command mode.*

When the /C command specifies the port name, it is only necessary to enter enough letters to differentiate the desired port from other ports. Type an asterisk (*) to represent the remaining characters in the port name. For example, to connect your resident port to a port named "SALES", the connect command can be invoked as /C s*, providing no other port names begin with the letter "S".

6.2.1.2. Disconnecting Ports - Text Interface

The Text Interface provides three different methods for disconnecting ports, the Resident Disconnect, the Third Party Disconnect, and the No Activity Timeout. Providing the Timeout feature is enabled, a No Activity Timeout will disconnect resident ports or third party ports.

Note: The "DTR Output" option in the Port Parameters menu determines how DTR will react when the port disconnects. DTR can be held low, held high, or pulsed and then held high.

1. **Resident Disconnect:** Disconnects your resident port from another port. For example, if you are communicating via Port 3, and Port 3 is connected to Port 4, a Resident Disconnect is used to disassociate the two ports. The DSM/CPM offers two different disconnect command formats; the One Character Format and the Three Character Format (for more information, please refer to Section 7.7.2.):

Note: The Resident Disconnect methods discussed here cannot be used to terminate a Telnet Direct Connection. For more information, please refer to Section 11.3.4.

- a) **One Character (Default):** Enter the logoff character once (Default = **[Ctrl]** plus **[X]**). It is not necessary to enter a carriage return before or after the logoff character.
 - b) **Three Characters:** Uses the "**[Enter]****L****L****L****[Enter]**" format, where **L** is the logoff character. For example, if the logoff character is "+", then the disconnect sequence is **[Enter]****+++****[Enter]**.
 - c) If the default disconnect command is not compatible with your application, both the command format and logoff character can be redefined via the Port Configuration menus, as described in Section 7.7.2.
2. **Third Party Disconnect:** (Administrator and SuperUser Mode Only) The **/D** command is issued from your resident port to disconnect two other ports. For example, if your Resident Port is Port 1, a Third Party Disconnect is used to disconnect Ports 3 and 4.

Note: The Third Party Disconnect method can be used to terminate a Direct Connection. For more information, please refer to Section 11.3.4.

- a) The **/D** command uses the format: **/D xx [Enter]**, where **xx** is the number of either of the connected ports that you wish to disconnect.
- b) Third Party (Remote) Disconnects can only be performed by accounts that permit Administrator or SuperUser level commands.
- c) The **/D** command can specify both connected ports, or either of the two ports. For example, if Port 1 is your resident port, any of the following commands can be used to disconnect Port 3 from Port 4:

```
/D 3 4 [Enter]
    or
/D 3 [Enter]
    or
/D 4 [Enter]
```

- d) The /D command can also disconnect a remote user from the Network Port. This is useful in cases where a user has unsuccessfully disconnected, and you don't want to wait for the DSM/CPM to timeout in order to free up the TCP port. To disconnect a TCP port, type /D **n** and then press **[Enter]**. Where **n** is one of the DSM/CPM's logical TCP ports (e.g. /D **n**2 **[Enter]**).
3. **No Activity Timeout:** Providing the Timeout feature is enabled at either connected port, the No Activity Timeout can also disconnect ports when no command activity is detected at the ports for the user-defined timeout period.
- Note:** *The No Activity Timeout also applies to Direct Connections. For more information, please refer to Section 7.7.*
- a) **RS232 Ports:** To select the timeout period for RS232 Ports, access the Port Configuration Menu for the desired port as described in Section 7.7.
- b) **Network Port:** To select the timeout period for the Network Port, access the Network Port Configuration Menu as described in Section 7.8.
- c) When the Timeout Feature is enabled, the port will automatically disconnect if no data is received during the defined Timeout Period.

Notes:

- *When two connected ports time out, both ports will exit command mode after disconnecting.*
- *The Timeout value also applies to unconnected ports that are left in command mode. When an unconnected port is left in command mode, and no additional activity is detected, the port will automatically exit command mode when its timeout value elapses.*

6.2.1.3. The Port Control Screen - Web Browser Interface

In the Web Browser Interface, the Port Control Screen can be used to disconnect DSM/CPM serial ports that have been connected using the /C command in the Text Interface as described in Section 6.2.1.1.

To disconnect ports using the Port Control Screen, first access the DSM/CPM Command Mode via the Web Browser Interface as described in Section 6.1. Click on the "Port Control" link on the left hand side of the screen to display the Port Control Screen. When the Port Control Screen appears, click the down arrow in the "Action" column for the desired serial port(s), select the "Disconnect" option from the dropdown menu for and then click on the "Confirm Port Actions" button.

When the "Confirm Port Actions" button is pressed, the DSM/CPM will display a screen which lists the selected action(s) and asks for confirmation before proceeding. To implement the selected port action(s), click on the "Execute Port Actions" button. After a brief pause, the DSM/CPM will display the Port Status Screen, confirming that the selected ports have been disconnected.

Notes:

- *Port connections cannot be created via the Web Browser Interface. To connect DSM/CPM ports, please refer to Section 6.2.1.1.*
- *When the Port Control Screen is displayed by an account that permits Administrator or SuperUser command access, all DSM/CPM Serial Ports will be displayed.*
- *When the Port Control Screen is displayed by an account that permits User or ViewOnly level commands, the screen will only include the DSM/CPM Serial Ports that are allowed by the account.*

6.2.1.4. Defining Hunt Groups - Text Interface

A Hunt Group creates a situation where the DSM/CPM will scan a group of similarly named ports and connect to the first available port in the group. Hunt Groups are created by assigning identical or similar names to two or more ports. Hunt Groups can be defined using Any-to-Any, Passive, Buffer, or Modem Mode Ports. Note that the Network Port *cannot* be included in Hunt Groups.

1. Access command mode using a port and account that permit Administrator level commands.
2. Access the Port Configuration Menu for the desired Port(s) as described in Section 7.7.
3. From the Port Configuration Menu, define the Port Name.
4. Repeat steps 2 and 3 to assign identical names to the other ports in the Hunt Group. For example, a series of ports in a group could all be named "ROUTER".
5. To connect to the next available port in the hunt group, invoke the /C command using the port name to specify the desired group. For example, /C ROUTER [Enter].
6. Your port will be connected to the first available port in the group. If all ports are presently connected, the DSM/CPM will respond with the "BUSY" message.
7. It is only necessary to enter enough letters of the port name to differentiate Hunt Group ports from other ports. Type an asterisk (*) to represent the remaining characters in the name. For example, to connect to the first available port in a group of ports named "SALES1", "SALES2", and "SALES3", the connect command can be invoked as /C s* [Enter], providing no other port names begin with the letter "S".

Notes:

- *If the Hunt Group method is used by a port or account with User level command access, the /C command will only connect to the ports allowed by that account.*
- *Hunt Group port names must be unique. Otherwise, ports with similar names will also be included in the Hunt Group.*

Hunt Group Example 1:

1. Ports 1 and 2 are Modem Mode ports, and modems are installed at both ports. Port 1 is named "MODEM1" and Port 2 is named "MODEM2".
2. Your resident port is Port 4. To connect to the first available Modem, type /C MODEM* [Enter].

Hunt Group Example 2:

1. Ports 3, 4, and 5 are Any-to-Any Mode ports. All three ports are named "ROUTER".
2. Your resident port is Port 1. If you want to connect Port 2 to the first available router, type /C 2 ROUTER [Enter].

6.2.2. Passive Mode

Passive Mode Ports function the same as Any-to-Any Mode Ports, but do not allow access to command mode. A Passive Mode Port can be connected to other serial ports, but cannot enter command mode, and therefore cannot be used to define parameters, display status, or invoke commands to connect ports or control power switching. The Passive Mode is the default at Serial Ports 2 and above.

Passive Mode Ports can be connected by accessing command mode from a free Any-to-Any or Modem Mode Port, and invoking the Third Party Connect or Resident Connect Command as described in Section 6.2.1.1. Passive Mode ports will not buffer data, except during baud rate conversion.

Note: *In order to ensure Administrator level access to important command functions, the Passive Mode is not available at Port 1 (the SetUp Port) or the Network Port.*

6.2.3. Buffer Mode

The Buffer Mode allows collection of data from various devices without the requirement that all devices use the same communication parameters. In addition, Buffer Mode ports can also be configured to support the SYSLOG, SNMP Trap and Buffer Threshold Alarm functions.

Notes:

- *Buffer Mode Ports cannot access command mode.*
- *Buffer Mode is not available to Port 1 (the SetUp Port) or the Network Port.*

6.2.3.1. Reading Data from Buffer Mode Ports - Text Interface

To check port buffers for stored data, access command mode via the text interface, using an account that permits Administrator, SuperUser or User level commands, and type /s [Enter] to display the Port Status Screen. The "Buffer Count" column in the Port Status Screen indicates how much data is currently being stored for each port.

To retrieve data from buffer memory, go to a free Any-to-Any or Modem Mode Port, then issue the /R command using the following format: /R xx [Enter]. Where xx is the number of the port buffer to be read.

Notes:

- *The /R command is not available to ViewOnly level accounts.*
- *Buffered data can only be retrieved via the Text Interface. This function is not available in the Web Browser Interface.*
- *In order to read data from a given port, your account must allow access to that port.*
- *When the /R command is invoked, the counter for the SNMP Trap function will also be reset.*

If the buffer contains data, the DSM/CPM will display a prompt that offers the following options:

- **Display One Screen:** To send data one screen at a time, press **[Enter]**. Each time **[Enter]** is pressed, the next screen is sent.
- **Display All Data:** To send all data currently stored in the buffer, type 1 and press **[Enter]**.
- **Erase Data on Screen:** To erase the data currently displayed on-screen, type 2 and press **[Enter]**.
- **Erase all Data:** To erase all data currently stored in the buffer, type 3 and press **[Enter]**.
- **Exit:** To exit from Read Buffer mode, press **[Esc]**.

Note: *Only one user can read from a port buffer at a time. If a second user attempts to read from a port that is already being read, an error message will be sent.*

To clear data from any port buffer (with or without reading it first), access command mode via the text interface, using an account and port that permit Administrator, SuperUser or User level commands, then issue the /E (Erase Buffer) command using the following format:

/E xx [Enter]

Where **xx** is the number or name of the port buffer to be cleared.

Notes:

- *The /E command cannot erase data from a port buffer that is currently being read by another port.*
- *The /E command is not available to ViewOnly level accounts.*
- *Buffered data can only be erased via the Text Interface. The Web Browser Interface does not offer the option to erase buffered data.*

6.2.3.2. Port Buffers

The Status Screen lists the amount of Buffer Memory currently used by each port. The DSM/CPM uses buffer memory in two different ways, depending on the user-selected port mode.

- **Any-to-Any, Passive, and Modem Mode Ports:** When two ports are communicating at dissimilar baud rates, the buffer memory prevents data overflow at the slower port.
- **Buffer Mode Ports:** Stores data received from connected devices. The user issues a Read Buffer command (/R) from an Any-to-Any or Modem Mode port to retrieve data.

If the Status Screen indicates an accumulation of data, the /E (Erase Buffer) command can be invoked to clear the buffer.

Note: *When a Buffer Mode port is reconfigured as an Any-to-Any, Passive, or Modem Mode port, any data stored in the buffer prior to changing the port mode will be lost.*

6.2.4. Modem Mode

The Modem Mode provides features specifically related to dial-up modem communication. A Modem Mode Port can perform all functions normally available in Any-to-Any Mode. The Modem Mode is available at all DSM/CPM ports except the Network Port.

When a call is received, the unit will prompt the caller to enter a username and password. The DSM/CPM allows three attempts to enter a valid username and password. If a valid username and password is not entered within three attempts, or if the user does not respond to the login prompt within 30 seconds, the modem will disconnect.

Notes:

- *When a Modem Mode port exits command mode, or the DCD line is lost while command mode is active, the DSM/CPM will pulse DTR to the dial-up modem. The unit will then send the user-defined modem command strings to make certain the modem is properly disconnected and reinitialized.*
- *The Internal Modem Port is always configured for Modem Mode. Note that some DSM/CPM models do not include an internal dial-up modem.*
- *DSM/CPM units that include the Cellular Modem Option do not include a dial-up modem.*
- *When an external dial-up modem is installed at a DSM/CPM port, other ports can use the modem for calling out. To call out, invoke the /C command to connect to the port, then access the modem as you normally would.*

6.2.5. Modem PPP Mode

The Modem PPP Mode allows data normally sent via Ethernet to be sent via phone line. Modem PPP Mode ports can perform all functions normally available in Any-to-Any Mode, but Modem PPP Mode also allows definition of additional communications-related parameters. The Modem PPP Mode is not available at the Network Port.

When a call is received, the unit will prompt the caller to enter a username and password. The DSM/CPM allows three attempts to enter a valid username and password. If a valid username and password is not entered within three attempts, or if the user does not respond to the login prompt within 30 seconds, the modem will disconnect.

6.3. Controlling Power - Web Browser Interface

Note: *Power switching and reboot functions are only available on CPM Series units. DSM Series units do not support power control functions.*

When using the Web Browser Interface, switching commands are invoked via the Plug Control Screen and Plug Group Control Screen.

6.3.1. The Plug Control Screen - Web Browser Interface

The Plug Control Screen lists the On/Off status of the CPM Series unit's Switched Outlets and is used to control switching and rebooting of the outlets. To invoke power switching commands, access command mode and then click on the "Plug Control" link on the left hand side of the screen to display the Plug Control Screen. When the Plug Control Screen appears, click the down arrow in the "Action" column for the desired outlet(s), then select the desired switching option from the dropdown menu and click on the "Confirm Plug Actions" button.

When the "Confirm Plug Actions" button is pressed, the CPM Series unit will display a screen which lists the selected action(s) and asks for confirmation before proceeding. To implement the selected action(s), click on the "Execute Plug Actions" button. The CPM Series unit will display a screen which indicates that a switching operation is in progress, then display the Plug Status screen when the command is complete. At that time, the Status Screen will list the updated On/Off status of each plug.

Notes:

- *When switching and reboot operations are initiated, Boot/Sequence Delay times will be applied as described in Section 7.6.1.*
- *If a switching or reboot command is directed to a plug that is already in the process of being switched or rebooted, then the new command will be placed in a queue until the plug is ready to receive additional commands.*
- *If the Status column in the Plug Control Screen includes an asterisk, this means that the outlet is busy completing a previously invoked command.*
- *When the Plug Control Screen is displayed by an account that permits Administrator or SuperUser level commands, all switched outlets will be shown.*
- *When the Plug Control Screen is displayed by an account that permits User or ViewOnly command access, the screen will only include the switched outlets that are specifically allowed by the account.*

6.3.2. The Plug Group Control Screen - Web Browser Interface

Note: *Power switching and reboot functions are only available on CPM Series units. DSM Series units do not support power control functions.*

The Plug Group Control Screen is used to send switching and reboot commands to the user-defined Plug Groups. As described in Section 7.5, Plug Groups allow you to specify a group of outlets that are dedicated to a similar purpose or client, and then direct switching commands to the group, rather than switching one plug at a time.

To apply power switching commands to Plug Groups, first access command mode via the Web Browser Interface (see Section 6.1.) Click on the "Plug Group Control" link on the left hand side of the screen to display the Plug Group Control Screen. When the Plug Group Control Screen appears, click the down arrow in the "Action" column for the desired Plug Group(s), then select the desired switching option from the dropdown menu and click on the "Confirm Plug Actions" button

When the "Confirm Plug Group Actions" button is pressed, the CPM Series unit will display a screen which lists the selected action(s) and asks for confirmation before proceeding. To implement the selected plug group action(s), click on the "Execute Plug Group Actions" button. The CPM Series unit will display a screen which indicates that a switching operation is in progress, then display the Plug Status screen when the command is complete. At that time, the Status Screen will list the updated On/Off status of each plug.

Notes:

- *When switching and reboot operations are initiated, Boot/Sequence Delay times and user-defined Plug Priority values will be applied as described in Section 7.6.*
- *If a switching or reboot command is directed to a plug that is already in the process of being switched or rebooted by a previous command, then the new command will be placed in a queue until the plug is ready to receive additional commands.*
- *When the Plug Group Control Screen is displayed by an account that permits Administrator or SuperUser command access, all user-defined Plug Groups will be displayed.*
- *When the Plug Control Screen is displayed by an account that permits User or ViewOnly level commands, the screen will only include the Plug Groups that are allowed by the account.*

6.4. Controlling Power - Text Interface

Note: *Power switching and reboot functions are only available on CPM Series units. DSM Series units do not support power control functions.*

When using the Text Interface, all serial port connection and power switching functions are performed by invoking simple, ASCII commands. ASCII commands are also used to display status screens and to log out of command mode. The Text Interface includes a Help Menu, which summarizes all available commands. To display the Text Interface Help Menu, type `/H` and press **[Enter]**.

Note: *When the Help Menu is displayed by an account that permits SuperUser, User or ViewOnly level commands, the screen will not include commands that are only available to Administrators.*

6.4.1. The Port and Plug Status Screen - Text Interface

Note: *Power switching and reboot functions are only available on CPM Series units. DSM Series units do not support power control functions.*

The Port and Plug Status Screen lists the status of the CPM Series unit's serial ports and AC Outlets, displays the temperature and displays the user-defined Site I.D. Message. The Status Screen will be re-displayed each time a command is successfully executed. To display the Port and Plug Status Screen via the Text Interface, type `/s` and press **[Enter]**. The DSM/CPM will display a screen that shows port status; to display plug status, press **[Enter]** or press **[Esc]** to exit from the Port and Plug Status Screen.

6.4.2. Switching and Reboot Commands - Text Interface

Note: Power switching and reboot functions are only available on CPM Series units. DSM Series units do not support power control functions.

These commands can be used to switch or reboot the CPM Series unit's switched plugs, and can also be used to set plugs to the user-defined Power-Up Default values. Plugs may be specified by name or number.

Notes:

- If an asterisk appears in the "Status" column for any given plug, this indicates that the plug is currently busy, processing a previously issued command.
- If a switching or reboot command is directed to a plug that is already busy completing a previous command, then the new command will be placed in a queue until the plug is ready to receive additional commands.
- Administrator and SuperUser level accounts can use the Port and Plug Status Screen to display information for all serial ports and switched outlets.
- User and ViewOnly level accounts can only use the Port and Plug Status Screen to display information for serial ports and outlets that are allowed by the account.
- Administrator or SuperUser level accounts can direct switching and reboot commands to all plugs.
- User Level accounts can only direct switching and reboot commands to the plugs that are specifically allowed by that account.
- The Status Screen will be displayed after switching and reboot commands are successfully completed.
- When switching and reboot operations are initiated, Boot/Sequence Delay times and user-defined Plug Priority values will be applied as described in Section 7.6.
- Text Interface commands are **not** case sensitive. When used in On/Off/Reboot command lines, plug names and plug group names are also **not** case sensitive.

When switching and reboot commands are executed, the CPM Series unit will display a "Sure?" prompt, wait for user response, and then complete the command. The unit will pause for a moment while the command is executed, and then return to the Port and Plug Status Screen.

To Switch Plugs, or initiate a Reboot Cycle, proceed as follows:

1. **Switch Plug(s) On:** To power-on a plug or Plug Group, type `/ON n` and press **[Enter]**. Where "n" is the number or name of the desired plug or Plug Group. For example:

`/ON 1 [Enter]` or `/ON ROUTER [Enter]`

2. **Switch Plug(s) Off:** To power-off a plug or Plug Group, type `/OFF n` and press **[Enter]**. Where "n" is the number or name of the desired plug or Plug Group. Note that the `/OFF` command can also be entered as `/OF`. For example:

`/OFF 2 [Enter]` or `/OF ROUTER [Enter]`

3. **Reboot Plug(s):** To initiate a Boot cycle, type `/BOOT n` and press **[Enter]**. Where "n" is the number or name of the desired plug or Plug Group. Note that the `/BOOT` command can also be entered as `/BO`. For example:

`/BOOT 3 [Enter]` or `/BO ATMSWITCH [Enter]`

4. **Set All Plugs to Power Up Defaults:** Type `/DPL` and press **[Enter]**. All plugs permitted by your account will be set to their default On/Off status, which is defined via the Plug Parameters Menu as described in Section 7.6.

Notes:

- *When you have accessed command mode using an account that permits Administrator or SuperUser level command access, the Default command will be applied to all plugs.*
 - *When you have accessed command mode using an account that only permits User level command access, the Default command will only be applied to the plugs specifically allowed by that account.*
 - *Switching commands are not available in ViewOnly mode.*
5. **Suppress Command Confirmation Prompt:** To execute a Boot/On/Off command without displaying the "Sure?" prompt, you can either disable command confirmation via the System Parameters Menu, or include the `,Y` option at the end of the command line. For example:

`/ON ROUTER,Y` or `/BOOT 2,Y`

6.4.2.1. Applying Commands to Several Plugs - Text Interface

Note: *Power switching and reboot functions are only available on CPM Series units. DSM Series units do not support power control functions.*

As described below, switching and reboot commands can be applied to only one Switched AC Outlet, or to an assortment of outlets.

Note: *When switching and reboot operations are initiated, Boot/Sequence Delay times and user-defined Plug Priority values will be applied as described in Section 7.6.*

1. **Switch Several Plugs:** To apply a command to several plugs, enter the numbers or names for the plugs, separated by a "plus sign" (+) or a comma (,). For example to switch plugs 1, 3, and 4 Off, enter either of the following commands:

`/OFF 1+3+4 [Enter]`

or

`/OFF 1,3,4 [Enter]`

Note: *When the "+" or "," are used, do not enter spaces between the plug name or number and the plus sign or comma.*

2. **Switch a Series of Plugs:** To apply a command to a series of plugs, enter the number for the plugs that mark the beginning and end of the series, separated by a colon. For example to switch On plugs 1 through 3, enter the following:

`/ON 1:3 [Enter]`

3. **All Plugs:** To apply a command to all plugs, enter an asterisk in place of the name or number. For example, to Boot all plugs, enter the following:

`/BO * [Enter]`

Note: *When this command is invoked by an account that permits only User level command access, it will be applied only to the plugs that are allowed for that account.*

6.5. Manual Operation

In addition to the command driven functions available via the Web Browser Interface and Text Interface, some DSM/CPM functions can also be controlled manually. For a summary of front panel control functions, please refer to Section 2.7.

6.6. Logging Out of Command Mode

When you have finished communicating with the DSM/CPM, it is important to always disconnect using either the "LogOut" link (Web Browser Interface) or the /X command (Text Interface), rather than by simply closing your browser window or communications program.

When you disconnect using the LogOut link or /X command, this ensures that the DSM/CPM has completely exited from command mode, and is not waiting for the inactivity timeout period to elapse before allowing additional connections.

6.7. Emergency Shut Off Function

CPM Series units also include an Emergency Shut Off function, that can be used to immediately shut off all power outlets on an CPM Series unit in case of emergency. For more information regarding the Emergency Shut Off feature, please contact WTI Tech Support at service@wti.com.

7. Configuration Options

This section describes the basic configuration procedure for all DSM/CPM Series units.

7.1. Configuration Menus

Although the Web Browser Interface and Text Interface (Command Line Interface) provide two separate means for selecting parameters, both interfaces allow access to the same set of basic parameters, and parameters selected via one interface will also be applied to the other. To access the configuration menus, proceed as follows:

- **Text Interface:** Refer to the Help Screen (/H) and then enter the appropriate command to access the desired menu. When the configuration menu appears, key in the number for the parameter you wish to define, and follow the instructions in the resulting submenu.
- **Web Browser Interface:** Use the links and fly-out menus on the left hand of the screen to access the desired configuration menu. To change parameters, click in the desired field and key in the new value or select a value from a pull-down menu. To apply newly selected parameters, click on the "Change Parameters" button at the bottom of the menu or the "Set" button next to the field.

The following sections describe options and parameters that can be accessed via each of the configuration menus. Please note that essentially the same set of parameters and options are available to both the Web Browser Interface and Text Interface.

Notes:

- *To Access the configuration menus, proceed as described in Section 6.1.*
- *Configuration menus are only available when you have logged into command mode using a password that permits Administrator Level commands. SuperUser accounts are able to view configuration menus, but are not allowed to change parameters.*
- *Configuration menus are not available when you are communicating with the DSM/CPM via Mobile Device*
- *When defining parameters via the Text Interface, make certain to press the **[Esc]** key several times to completely exit from the configuration menu and save newly defined parameters. When parameters are defined via the Text Interface, newly defined parameters will not be saved until the "Saving Configuration" message has been displayed and the cursor returns to the command prompt.*

7.2. Defining System Parameters

The System Parameters menus are used to define the Site ID Message, set the system clock and calendar, set up log functions and calibrate temperature readings. In the Text Interface, the System Parameters menu is also used to create and manage user accounts and passwords.

To access the System Parameters menu via the Text Interface, type `/F` and press **[Enter]**. To access the System Parameters menu via the Web Browser Interface, place the cursor over the "General Parameters" link, wait for the flyout menu to appear and then click on the "System Parameters" link. The System Parameters Menus are used to define the following:

- **User Directory:** This function is used to view, add, modify and delete user accounts and passwords. As discussed in Section 7.3 and Section 7.4, the User Directory allows you to set the security level for each account as well as determine which plugs and ports each account will be allowed to control.

Note: *The "User Directory" option does not appear in the Web Browser Interface System Parameters menu. In the Web Browser Interface, User accounts are defined via the User Configuration link, located on the left hand side of the screen.*

- **Site ID:** A text field, generally used to note the installation site or name for the DSM/CPM unit. (Up to 64 characters; Default = undefined)

Notes:

- *The Site I.D. will be cleared if the DSM/CPM is reset to default settings.*
 - *When viewed via the Text Interface (CLI) Site I.D. messages that are over 30 characters long will be truncated. To display the entire Site I.D. message via the Text Interface, type `/J*` and press **[Enter]***
 - **Real Time Clock:** This prompt provides access to the Real Time Clock menu, which is used to set the clock and calendar, and to enable and configure the NTP (Network Time Protocol) feature as described in Section 7.2.1.
- Note:** *The "Real Time Clock" option does not appear in the Web Browser Interface System Parameters menu. In the Web Browser Interface, Real Time Clock parameters are defined via the Real Time Clock submenu, which is accessed via the General Parameters menu.*
- **Invalid Access Lockout:** If desired, this feature can be used to disable access to the DSM/CPM command mode after a user specified number of unsuccessful login attempts are made. For more information, please refer to Section 7.2.2. (Default = Off)

Note: *The "Invalid Access Lockout" item does not appear in the Web Browser Interface System Parameters menu. In the Web Browser Interface, Invalid Access Lockout parameters are defined via the Serial Port Invalid Access Lockout submenu, which is accessed via the General Parameters menu, located on the left hand side of the screen.*

- **Temperature Format:** Determines whether the temperature is displayed as Fahrenheit or Celsius. (Default = Fahrenheit)
- **Temperature Calibration:** Used to calibrate the unit's internal temperature sensing abilities. To calibrate the temperature, place a thermometer inside your equipment rack, in a location that usually experiences the highest temperature. After a few minutes, take a reading from the thermometer, and then key the reading into the configuration menu. In the Web Browser Interface, the temperature is entered at the System Parameters menu, in the Temperature Calibration field; in the Text Interface, the temperature is entered in a submenu of the System Parameters menu, which is accessed via the Temperature Calibration item. (Default = undefined)
- **Log Configuration:** Configures the Audit Log, Alarm Log and Temperature Log. For more information on event logging functions, please refer to Section 7.2.3. (Default = Audit Log = On without Syslog, Alarm Log = On without Syslog, Temperature Log = On)

Notes:

- *The Audit Log will create a record of all power switching and reboot activity at the DSM/CPM unit, including reboots and switching caused by Load Shedding, Load Shedding Recovery, Ping No Answer Reboots and Scheduled Reboots.*
- *The Alarm Log will create a record of each instance where an Alarm is triggered or cleared at the DSM/CPM unit.*
- *The Temperature Log will create a record of ambient rack temperature over time. On CPM Series Units that include the Current Metering Options, logged temperature information will appear on the Current Metering Log.*
- *CPM Series Units that include the Current Monitoring Option will also include a Current Metering Log and a Power Metering Log. For more information, please refer to Section 7.2.3.*
- **Callback Security:** Enables and configures the Callback Security Function as described in Section 7.2.4. In order for this feature to function correctly, a Callback number must also be defined for each desired user account as described in Section 7.4. (Default = On - Callback without Password Prompt, 3 attempts, 30 Minute Delay)

Notes:

- *In the Text Interface, Callback Security Parameters are defined via a submenu of the Systems Parameters Menu, accessed via the Callback Security item.*
- *In the Web Browser Interface, Callback Security Parameters are defined via the Callback Security submenu, which is accessed via the General Parameters menu, located on the left hand side of the screen.*
- **Front Panel Buttons:** This item can be used to disable all front panel button functions. (Default = On)
- **Analog Modem Phone Number:** If the DSM/CPM unit includes the optional internal dial-up modem, this parameter can be used to record the phone number. When the DSM/CPM is used in conjunction with the WMU Enterprise Management Solution, the WMU will retrieve the phone defined here for use when contacting the unit via dial-up. (Default = undefined)

- **Scripting Options:** Provides access to parameters that are used to set up the DSM/CPM unit for running various scripts as described in Section 7.2.5.

Notes:

- *The functions provided by the Scripting Options menu are intended for use in applications where scripts are employed to control DSM/CPM operation. Improper use of Scripting Options menu functions can cause the DSM/CPM unit to become unresponsive. Prior to attempting to use the functions provided by the Scripting Options menu, please contact WTI Technical Support as described in Appendix D in this User's Guide.*
- *In the Text Interface, the Scripting Options submenu is accessed via the System Parameters menu. To access the Scripting Options parameters via the Web Browser Interface, place the cursor over the "General Parameters" link, wait for the flyout menu to appear, then click on the "Scripting Options" link.*
- **Power Configuration:** (CPM-C Series Only) In the Web Browser Interface, the Voltage Calibration parameter, Power Factor parameter and Power Efficiency parameter are defined via the System Parameters Menu. In the Text Interface, these parameters reside in a separate submenu, which is accessed via the Power Configuration option. For more information on Power Configuration, please refer to Section 7.2.6.
- **EnergyWise Configuration:** (CPM Series Units Only) Defines parameters that are needed in order for an CPM Series unit to serve as an element in a Cisco® EnergyWise™ network. This item allows the following parameters to be defined:

Note:

- *The EnergyWise Configuration options are only available on CPM Series units. The EnergyWise Configuration options are not available on DSM Series units.*
- *In the Web Interface, EnergyWise configuration options are accessed via the flyout menu under General Parameters.*
- ◆ **Enable:** Enables/disables the CPM Series unit's ability to participate in a Cisco Energywise network. (Default = Off)
- ◆ **Domain:** The Energywise Domain Name; up to eighty characters long. (Default = Undefined)
- ◆ **Secret:** A password that is used to authenticate each element in a Cisco Energywise network. The Secret parameter can be up to eighty characters long. (Default = Undefined)
- **Asset Tag:** Allows a descriptive tag or tracking number to be assigned to the DSM/CPM unit. Once defined, the Asset Tag can be displayed via the Product Status Screen in the Web Interface or via the /J* command in the Text Interface. (Default = Undefined)

- **Login Banner:** Allows definition of a banner/message that will be displayed when a valid username and password are entered during log in. The Login Banner can be used to post legal warning regarding unauthorized access to the unit or to display other user-defined information or instructions. (Default = Undefined)

Notes:

- *Although the Login Banner will be displayed when the DSM/CPM is accessed via both the Text Interface and Web Browser Interface, the Login Banner can only be defined via the Text Interface.*
- *The Login Banner can be up to 1024 characters long.*
- *The Login Banner text must begin with the <banner> command and end with the </banner> command.*
- *Banner text can be copied and pasted from a text editor, or sent in from a file.*
- *For best results, the individual text lines in the Login Banner should be less than 80 characters wide.*

7.2.1. The Real Time Clock and Calendar

The Real Time Clock menu is used to set the DSM/CPM's internal clock and calendar. The configuration menu for the Real Time Clock offers the following options:

- **Date:** Sets the Month, Date, Year and day of the week.
- **Time:** Sets the Hour, Minute and Second for the DSM/CPM's real time clock/calendar. Key in the time using the 24-hour (military) format.
- **Time Zone:** Sets the time zone, relative to Greenwich Mean Time. Note that the Time Zone setting will function differently, depending upon whether or not the NTP feature is enabled and properly configured. (Default = GMT (No DST))
 - ◆ **NTP Enabled:** The Time Zone setting is used to adjust the Greenwich Mean Time value (received from the NTP server) in order to determine the precise local time for the selected time zone.
 - ◆ **NTP Disabled:** If disabled, or if the unit cannot access the NTP server, then status screens and activity logs will list the selected Time Zone and Real Time Clock value, but will not apply the correction factor to the Real Time Clock value.
- **NTP Enable:** When enabled, the DSM/CPM will contact an NTP server (defined via the NTP Address prompts) once a day, and update its clock based on the NTP server time and selected Time Zone. (Default = Off)

Notes:

- *The DSM/CPM will also contact the NTP server and update the time whenever you change NTP parameters.*
- *To cause DSM/CPM to immediately contact the NTP server at any time, make certain that the NTP feature is enabled and configured, then type /F and press [Enter]. When the System Parameters menu appears, press [Esc]. The DSM/CPM will save parameters and then attempt to contact the server, as specified by currently defined NTP parameters.*

- **Primary NTP Address:** Defines the IPv4 and/or IPv6 protocol IP address or domain name for the primary NTP server. (Default = undefined)

Notes:

- *In order to use domain names for web addresses, DNS Server parameters must first be defined as described in Section 7.8.3.*
- *The Web Browser Interface includes two separate fields that are allowed to define both an IPv4 protocol and IPv6 protocol format Primary NTP Address and Secondary NTP Address.*
- *When the Primary NTP Address and Secondary NTP Address are defined via the Text Interface, the DSM/CPM will display a prompt that instructs the user to select IPv4 or IPv6 protocol.*
- *The DSM/CPM allows parameters for both IPv4 and IPv6 protocols to be defined and saved.*

- **Secondary NTP Address:** Defines the IPv4 and/or IPv6 protocol IP address or domain name for the secondary, fallback NTP Server. (Default = undefined)

Notes:

- *In order to use domain names for web addresses, DNS Server parameters must first be defined as described in Section 7.8.3.*
- *The Web Browser Interface includes two separate fields that are allowed to define both an IPv4 protocol and IPv6 protocol format Primary NTP Address and Secondary NTP Address.*
- *When the Primary NTP Address and Secondary NTP Address are defined via the Text Interface, the DSM/CPM will display a prompt that instructs the user to select IPv4 or IPv6 protocol.*
- *The DSM/CPM allows parameters for both IPv4 and IPv6 protocols to be defined and saved.*
- **NTP Timeout:** The amount of time in seconds that will elapse between each attempt to contact the NTP server. When the initial attempt is unsuccessful, the DSM/CPM will retry the connection four times. If neither the primary nor secondary NTP server responds, the DSM/CPM will wait 24 hours before attempting to contact the NTP server again. (Default = 3 Seconds)
- **Test NTP Servers:** Allows you to ping the IP addresses or domain names defined via the Primary and Secondary NTP Address prompts, or to ping a new address or domain defined via the Test NTP Servers submenu in order to check that a valid IP address or domain name has been entered.

Notes:

- *In order for the Test NTP Servers feature to function, your network and/or firewall must be configured to allow ping commands.*
- *In addition to the Test NTP Servers option, the /TEST command in the Text Interface or the "Test" option in the Web Browser Interface can also be used to ping any user defined IP address in order to make certain that the IP address is responding.*

7.2.2. The Serial Port Invalid Access Lockout Feature

When properly configured and enabled, the Invalid Access Lockout feature can monitor all login attempts. If the counter for any of these exceeds the user-defined threshold for maximum invalid attempts, then the corresponding port or protocol will be automatically disabled for the length of time specified by the Lockout Duration parameter.

When Invalid Access Attempt monitoring is enabled for the serial SetUp Port, the DSM/CPM will count invalid access attempts at the serial SetUp Port. If the number of invalid access attempts exceeds the defined Lockout Attempts trigger value, the DSM/CPM will lock the serial SetUp Port for the defined Lockout Duration period. When Invalid Access Attempt monitoring is selected, a lockout will be triggered when the number of invalid access attempts during the defined Lockout Duration period exceeds the defined Hit Count for the protocol. For example, if the SSH Hit Count is set at 10 and the SSH Lockout Duration period is set at 120 seconds, then if over 10 invalid access attempts are detected within 120 seconds, the DSM/CPM will then lock out the MAC address that generated the excessive attempts for 120 seconds.

Note that when an Invalid Access Lockout occurs, you can either wait for the Lockout Duration period to elapse (after which, the DSM/CPM will automatically reactivate the port or protocol), or you can issue the /UL command (type /UL and press **[Enter]**) via the Text Interface to instantly unlock all DSM/CPM logical network ports and communication protocols.

Notes:

- *When the Serial Port Invalid Access Lockout Alarm has been enabled as described in Section 9.5, the DSM/CPM can also provide notification via email, Syslog Message, and/or SNMP trap whenever an Invalid Access Lockout occurs at the serial port.*
- *If the Network Port has been locked by the Invalid Access Lockout feature, it will still respond to the ping command (providing that the ping command has not been disabled at the Network Port.)*

The Invalid Access Lockout configuration menus allow you to select the following parameters:

- **Serial Port Protection (Serial Port Lockout):** Enables/Disables the Invalid Access Lockout function for the serial SetUp Port and selects lockout parameters. When this item is enabled and excessive Invalid Access attempts are detected at the SetUp Port, the SetUp Port will be locked until the user-defined Lockout Duration period elapses, or until the /UL command is issued.
- **Serial Port Protection:** Enables/Disables the Invalid Access Lockout feature for the serial SetUp Port. (Default = Off)
- **Lockout Attempts:** The number of invalid attempts that must occur in order to trigger the Invalid Access Lockout feature at the serial SetUp Port. (Default = 9)
- **Lockout Duration:** This option selects the length of time that the serial SetUp Port will remain locked when Invalid Access Lockout occurs. If the duration is set at "Infinite", then ports will remain locked until the /UL command is issued. (Default = 30 Minutes)

- **SSH Protection:** Enables/Disables and configures the Invalid Access function for SSH connections. When this item is enabled and excessive Invalid Access Attempts via SSH are detected, then the DSM/CPM will lock out the offending MAC address for the user-defined SSH Lockout Duration Period or until the /UL command is issued. Note that for SSH protection, the lockout trigger is a function of the SSH Hit Count parameter and the SSH Lockout Duration Parameter.
- **Lockout Enable:** Enables/Disables Invalid Access Lockout protection for SSH connections. (Default = Off)
- **SSH Hit Count:** The number of invalid attempts that must occur during the length of time specified by the SSH Lockout Duration period in order to trigger the Invalid Access Lockout feature for SSH protocol. For example, if the SSH Hit Count parameter is set to 10 and the SSH Lockout Duration parameter is set to 30 minutes, then the DSM/CPM will lock out the offending MAC address for 30 minutes when over 10 invalid access attempts occur during any 30 minute long period. (Default = 20)
- **SSH Lockout Duration:** This option selects both the length of time that an SSH Lockout will remain in effect and also the time period over which invalid access attempts will be counted. When an SSH Lockout occurs, the offending MAC address will be prevented from establishing an SSH connection to the DSM/CPM for the defined SSH Lockout Duration period. (Default = 2 Seconds)
- **Telnet Protection:** Enables/Disables and configures the Invalid Access function for Telnet connections. When this item is enabled and excessive Invalid Access Attempts via Telnet are detected, then the DSM/CPM will lock out the offending MAC address for the user-defined Telnet Lockout Duration Period or until the /UL command is issued. Note that for Telnet protection, the lockout trigger is a function of the Telnet Hit Count parameter and the Telnet Lockout Duration Parameter.
- **Lockout Enable:** Enables/Disables Invalid Access Lockout protection for Telnet connections. (Default = Off)
- **Telnet Hit Count:** The number of invalid attempts that must occur during the length of time specified by the Telnet Lockout Duration period in order to trigger the Invalid Access Lockout feature for the Telnet protocol. For example, if the Telnet Hit Count parameter is set to 10 and the Telnet Lockout Duration parameter is set to 30 minutes, then the DSM/CPM will lock out the offending MAC address for 30 minutes when over 10 invalid access attempts occur during any 30 minute long period. (Default = 20)
- **Telnet Lockout Duration:** This option selects both the length of time that a Telnet Lockout will remain in effect and also the time period over which invalid access attempts will be counted. When a Telnet Lockout occurs, the offending MAC address will be prevented from establishing a Telnet connection to the DSM/CPM for the defined Telnet Lockout Duration period. (Default = 2 Seconds)

- **Web Protection:** Enables/Disables and configures the Invalid Access function for Web connections. When this item is enabled and excessive Invalid Access Attempts via Web are detected, then the DSM/CPM will lock out the offending MAC address for the user-defined Web Lockout Duration Period or until the /UL command is issued. Note that for Web protection, the lockout trigger is a function of the Web Hit Count parameter and the Web Lockout Duration Parameter.
- **Lockout Enable:** Enables/Disables Invalid Access Lockout protection for web connections. (Default = Off)
- **Web Hit Count:** The number of invalid attempts that must occur during the length of time specified by the Web Lockout Duration period in order to trigger the Invalid Access Lockout feature for Web access. For example, if the Web Hit Count parameter is set to 10 and the Web Lockout Duration parameter is set to 30 minutes, then the DSM/CPM will lock out the offending MAC address for 30 minutes when over 10 invalid access attempts occur during any 30 minute long period. (Default = 20)
- **Web Lockout Duration:** This option selects both the length of time that a Web Lockout will remain in effect and also the time period over which invalid access attempts will be counted. When a Web Lockout occurs, the offending MAC address will be prevented from establishing a Web connection to the DSM/CPM for the defined Web Lockout Duration period. (Default = 2 Seconds)

7.2.3. Log Configuration

This feature allows you to create records of command activity, alarm actions and temperature readings for the DSM/CPM unit. The Log features are enabled and configured via the System Parameters Menu. Depending on the specific model number, the DSM/CPM can display several event logs, including the Audit Log, the Alarm Log, the Current Metering Log, the Power Metering Log, the Power History Log and the Temperature Log:

- **Audit Log:** Creates a record of all port connection/disconnection, power switching, and reboot activity at the DSM/CPM unit, including reboots and switching caused by Load Shedding, Load Shedding Recovery, Ping No Answer Reboots and Scheduled Reboots. In addition, the Audit Log also includes login/logout records for all users and connection/disconnection records for the serial ports. Each Log record includes a description of the activity that caused the power switching, port connection, login or reboot, the username for the account that initiated the action and the time date that each event occurred.

Note: *Power switching functions, reboot functions, load shedding, ping-no-answer reboots and scheduled reboots are only available on CPM Series units. Power related functions are not present on DSM Series units.*

- **Alarm Log:** Creates a record of all Alarm Activity at the DSM/CPM unit. Each time an alarm is triggered or cleared, the DSM/CPM will generate a record that lists the time and date of the alarm, the name of the Alarm triggered, a description of the Alarm and the time and date that the Alarm was cleared.
- **Current Metering Log:** (Only Present on CPM Series Units with Current Metering Option) The Current History Screen displays current, voltage and temperature readings as a function of time. In the Web Browser Interface, the Current History can be displayed as a graph or downloaded in ASCII, CSV or XML format. In the Text Interface, the Current History can be displayed as straight ASCII data, or can be downloaded in CSV or XML format. For more information on Current Metering Log configuration options, please refer to Section 10.6 and Section 10.7.
- **Power Metering Log:** (Only Present on CPM Series Units with Current Metering Option) The Power Metering Log (Power Range Status Screen) can be used to display power consumption readings over a user-selected period of time, for the CPM-C series unit. For more information on Power Metering Log configuration options, please refer to Section 10.6 and Section 10.7.
- **Power History Log:** (Only Present on CPM Series Units with Current Metering Option) The Power History Log shows power consumption versus time. For more information on the Power History Log display options, please refer to Section 10.5.
- **Temperature Log:** Provides a record of temperature levels over time at the unit. Each Log record will include the time and date, and the temperature reading.

Note: *In CPM Series units that include the Current Metering Option, the Temperature Log displayed as a part of the Current Metering Log.*

7.2.3.1. The Audit Log and Alarm Log Configuration Options

The System Parameters menu allows you to select three different configuration parameters for the Audit Log and Alarm Log. Note that the Audit and Alarm Logs function independently, and parameters selected for one will not be applied to the other.

- **Off:** The Log is disabled; command activity and/or alarm events will not be logged.
- **On - With Syslog:** The Log is enabled; power switching, reboot activity and/or alarm events will be logged. The DSM/CPM will generate a Syslog Message every time a Log record is created.
- **On - Without Syslog:** The Log is enabled; power switching, reboot activity and/or alarm events will be logged, but the DSM/CPM will not generate a Syslog Message every time a Log record is created. (Default Setting)

Notes:

- *Power control functions are only available on CPM Series units. Power functions are not present on DSM Series units.*
- *In order for the Audit Log or Alarm Log to generate Syslog Messages, Syslog Parameters must first be defined as described in Section 12.*
- *The Audit Log will truncate usernames that are longer than 22 characters, and display two dots (..) in place of the remaining characters.*

7.2.3.2. The Temperature Log

The System Parameters menu allows you to either enable or disable the Temperature Log. When the Temperature Log is disabled, the DSM/CPM will not log temperature readings. In the default state, the Temperature Log is enabled.

Note: *In CPM-C series units, the Temperature Log displayed as a part of the Current Metering Log.*

7.2.3.3. Reading, Downloading and Erasing Logs

To read or download the status logs, proceed as follows:

- **Text Interface:** Type `/L` and press **[Enter]** to access the Display Log menu. Key in the number for the desired option, press **[Enter]**, and then follow the instructions in the resulting submenu.
- **Web Browser Interface:** Move the cursor over the "Logs" link on the left hand side of the screen. When the flyout menu appears, click on the desired "Download" or "Display" option.

To erase log data, access command mode via the Text Interface, using an account that permits Administrator level commands, then type `/L` and press **[Enter]** to access the Display Logs menu and proceed as follows:

- **Audit Log:** At the Display Logs menu, key in the number for the Audit Log option and press **[Enter]**. When the Audit Log menu appears, key in the number for the Erase function, press **[Enter]** and follow the instructions in the resulting submenu.
- **Alarm Log:** At the Display Logs menu, key in the number for the Alarm Log option and press **[Enter]**. When the Alarm Log menu appears, key in the number for the Erase function, press **[Enter]** and follow the instructions in the resulting submenu.

- **Temperature Log:** At the Display Logs menu, key in the number for the Temperature Log option and press **[Enter]**. When the Temperature Log menu appears, key in the number for the Erase function, press **[Enter]** and follow the instructions in the resulting submenu.

Notes:

- *The DSM/CPM dedicates a fixed amount of internal memory for Audit Log records, and if log records are allowed to accumulate until this memory is filled, memory will eventually "wrap around," and older records will be overwritten by newer records.*
- *Note that once records have been erased, they cannot be recovered.*
- *In CPM Series units that include the Current Metering option, the Temperature Log displayed as a part of the Current Metering Log.*

7.2.4. Callback Security

The Callback function provides an additional layer of security when callers attempt to access command mode via dial-up modem. When this function is properly configured, dial-up modem users will not be granted immediate access to command mode upon entering a valid password; instead, the unit will disconnect, and dial a user-defined number before allowing access via that number. If desired, users may also be required to re-enter the password *after* the DSM/CPM dials back.

In order for Callback Security to function properly, you must first enable and configure the feature as described in this section, and then define a callback number for each desired user account as described in Section 7.4.

To access the Callback Security menu via the Text Interface, type `/F` and press **[Enter]** and then select the Callback Security option. To access the Callback Security menu via the Web Browser Interface, place the cursor over the General Parameters link, wait for the flyout menu to appear, and then Click on the "Callback Security" link. In both the Text Interface and Web Browser Interface, the Callback Security Menu offers the following options:

- **Callback Enable:** This prompt offers five different configuration options for the Callback Security feature: (Default = On - Callback (Without Password Prompt))
 - ◆ **Off:** All Callback Security is disabled.
 - ◆ **On - Callback (Without Password Prompt):** Callbacks will be performed for user accounts that include a Callback Number, and the login prompt will *not* be displayed when the user's modem answers. If the account *does not* include a Callback Number, that user will be granted immediate access and a Callback will *not* be performed.
 - ◆ **On - Callback (With Password Prompt):** Callbacks will be performed for user accounts that include a Callback Number, and the login prompt *will* be displayed when the user's modem answers (accounts that include a Callback Number will be required to re-enter their username/password when their modem answers.) If the account *does not* include a Callback Number, then that user will be granted immediate access and a Callback will *not* be performed.
 - ◆ **On - Callback ONLY (Without Password Prompt):** Callbacks will be performed for user accounts that include a Callback Number, and the username/password prompt will *not* be displayed when the user's modem answers. Accounts that *do not* include a Callback Number will *not* be able to access command mode via modem.
 - ◆ **On - Callback ONLY (With Password Prompt):** Callbacks will be performed for user accounts that include a Callback Number, and the username/password prompt *will* be displayed when the user's modem answers (users will be required to re-enter their username/password when their modem answers.) Accounts that *do not* include a Callback Number will *not* be able to access command mode via modem.
- **Callback Attempts:** The number of times that the DSM/CPM will attempt to contact the Callback number. (Default = 3 attempts)

- **Callback Delay:** The amount of time that the DSM/CPM will wait between Callback attempts. (Default = 30 seconds)

Notes:

- *After configuring and enabling Callback Security, you must then define a callback phone number for each desired user account (as described in Section 7.4) in order for this feature to function properly.*
- *When using the "On - Callback (With Password Prompt)" option, it is important to remember that accounts that do not include a callback number will be allowed to access command mode without callback verification.*

7.2.5. Scripting Options

The Scripting Options submenu provides access to parameters that are used to set up the DSM/CPM unit for running various scripts.

Notes:

- *The functions provided by the Scripting Options menu are intended for use in applications where scripts are employed to control DSM/CPM operation. Improper use of Scripting Options menu functions can cause the DSM/CPM unit to become unresponsive. Prior to attempting to use the functions provided by the Scripting Options menu, please contact WTI Technical Support as described in Appendix D in this User's Guide.*
- *To access Scripting Options parameters via the Text Interface, first type /E and press [Enter] to display the System Parameters Menu, then key in the number for the Scripting Options item and press [Enter].*
- *To access the Scripting Options parameters via the Web Browser Interface, place the cursor over the "General Parameters" link, wait for the flyout menu to appear, then click on the "Scripting Options" link.*

The Scripting Options menu allows the following parameters to be defined:

- **Command Confirmation:** (CPM Series Units Only) When enabled, a "Sure" prompt will be displayed before power switching and reboot commands are executed. When disabled, commands will be executed without further prompting. (Default = On)
- **Automated Mode:** (CPM Series Units Only) When enabled, the unit will execute switching and reboot commands without displaying a confirmation prompt, status screen or confirmation messages. For more information, please refer to Section 7.2.5.1. (Default = Off)

Note: *When the Automated Mode is enabled, security functions are suppressed, and users are able to access configuration menus and control plugs without entering a password. If security is a concern and the Automated Mode is required, it is recommended to use the IP Tables feature (Section 7.8.1.2) to restrict access.*

- **Command Prompt:** Allows the Text Interface command prompt to be set to either DSM, CPM, IPS, RSM, TSM or the currently defined Site I.D. Message. (Default for DSM Series = DSM; Default for CPM Series = CPM.)

- **IPS Mode:** (CPM Series Units Only) This parameter can be used to set up CPM Series units for use with command scripts that were written for WTI's IPS Series Remote Reboot Switches . When the IPS Mode is enabled, the "IPS" command prompt will be displayed in the Text Mode, User Accounts will not allow definition of a Username, and only the "password" prompt will be displayed when logging into the unit (IPS Mode units will not display a "username" prompt.) (Default = Off)
 - The "IPS" command prompt will be displayed in the Text Mode.
 - Providing that no Administrator level user accounts are defined, the unit will not display the username or password prompts upon login to command mode.
 - If one or more Administrator level user accounts have been defined, then the CPM Series Unit will only display the password prompt upon login to command mode. If all Administrator level user accounts (aside from the default "super" account) are deleted, then the CPM Series Unit will return to the status where no username or password prompts are displayed upon login to command mode.
- **Emergency Shutoff:** (CPM Series Units Only) Enables/disables the Emergency Shutoff Feature. In CPM Series, the Emergency Shutoff function can be used to immediately shut off all specified power outlets on an CPM Series unit in case of emergency. For more information, please refer to Section 6.7. (Default = Off)
- **Emergency Shutoff Auto Recovery:** (CPM Series Units Only) Enables/Disables the Emergency Shutoff Auto Recovery feature. When enabled, following an Emergency Shutoff, all plugs will return to the On/Off status that was selected prior to the Emergency Shutoff. (Default = Off)
- **Single Plug Boot Delay Enable:** (CPM Series Units Only) When enabled, the currently defined Boot/Sequence Delay value will be applied when a single plug is rebooted, and to the final plug in a Plug Group when an entire Plug Group is rebooted. This allows you to specify the "Off Time" that will be used when a single plug or the last plug in a Plug Group is rebooted. For more information on the Boot/Sequence Delay parameter, please refer to Section 7.6. (Default = Off)
- **U-Boot Plugs Enable:** (CPM Series Units Only) When enabled, after a power interruption, the CPM will switch on all power outlets before the CPM operating system has finished loading. This allows power to be reapplied to connected devices such as servers and routers as quickly as possible after a power interruption. (Default = Off)
- **TCP Hold Write Options:** These options can be used to minimize the number of data packets that are sent from the DSM/CPM unit. In cases where the DSM/CPM is receiving a slow flow of data from an attached device, the TCP Hold Write Options can be configured to set the size of each packet and define a maximum "hold" time in order to determine how long data is allowed to accumulate in the buffer before being sent.
 - **TCP Hold Write Enable:** Enables/disables TCP Hold Write. (Default = Off)
 - **TCP Hold Write Duration:** The maximum amount of time (in 40 msec intervals) that data will be allowed to accumulate before transmission. (Default = 2)
 - **TCP Hold Write Buffer Size:** Determines the size of the TCP Hold Write Buffer. When the amount of accumulated data reaches the currently defined Hold Write Buffer Size, buffered data will be sent. (Default = 512 Characters)

- **Voltage Loss Delay Options:** (CPM Series Units Only) Determines how CPM Series Units with Dual Power Inlets will react when power to one inlet is lost. The Voltage Loss Delay Options allow the unit to automatically turn off outlets and delay the Lost Voltage Alarm when power to one inlet is lost.
 - **Turn Plugs Off Enable:** When enabled, after power to one inlet is lost, the unit will wait for the defined Voltage Loss Delay period and then switch Off all outlets on the branch that was supported by the inlet that has lost power. (Default = Off)
 - **Voltage Loss Delay:** Determines how long the unit will pause before generating a Lost Voltage Alarm and switching off the outlets after power to one of the inlets is lost. (Default = 12 Seconds)
- **Reverse DNS:** Determines the manner in which ARP requests are handled. When enabled (On,) the unit will check an external DNS in order to resolve domain names. When disabled (Off,) the unit will not check an external DNS when resolving domain names. (Default = On)
- **Port 1 Mode Override:** In order to ensure local access to DSM/CPM command functions, normally Serial Port 1 can only be configured as a Passive Mode Port or Any-to-Any Mode Port. When the Port 1 Mode Override option is enabled, Serial Port 1 can be configured as a Buffer Mode Port, Modem Mode Port or Modem PPP Mode Port. (Default = Off)

Note: *Configuring Serial Port 1 as a Buffer Mode Port can disable local access to DSM/CPM command functions via serial port.*
- **USB State:** Enables/Disables the USB Mini format SetUp Port. For instructions regarding configuration of the USB Mini Port, please refer to Section 7.8.1. (Default = On)
- **Reset Unit:** (Web Interface Only) Restarts the DSM/CPM unit's operating system. To reset the DSM/CPM unit via the text interface, invoke the `/I` command as described in Section 18.3.3.

Note: *The Reset function that is provided via the Scripting Options menu and `/I` command does not switch off power to the DSM/CPM unit. The reboot function only restarts the DSM/CPM's operating system.*
- **Modem Hunt Telnet:** This option enables the DSM/CPM to support modem pooling in conjunction with third party Serial Port Redirector software as described in Section 7.2.5.2. (Default = Off)
- **Modem Hunt Raw:** Same as Modem Hunt Telnet, except this function uses a raw socket connection. For more information, please refer to Section 7.2.5.2. (Default = Off)

Note: *The "Modem Hunt Telnet" option is recommended for transmitting ASCII data and the "Modem Hunt Raw" option is recommended for transmitting binary data.*
- **Keep Alive:** In cases where Linux regularly times out and disrupts network communication with the unit, this parameter can be used to keep the network connection active. (Default = 7,200 Seconds)

7.2.5.1. Automated Mode (CPM Series Units Only)

The Automated Mode allows CPM Series units to execute switching and reboot commands, without displaying menus or generating response messages. Automated Mode is designed to allow the CPM to be controlled by a device which can generate commands to control power switching functions without human intervention.

When Automated Mode is enabled, power switching and reboot commands are executed without a confirmation prompt and without command response messages; the only reply to these commands is the command prompt, which is re-displayed when each command is completed.

Although Automated Mode can be enabled using either the Web Browser Interface or Text Interface, Automated Mode is designed primarily for users who wish to send ASCII commands to the CPM without operator intervention, and therefore does not specifically apply to the Web Browser Interface. When Automated Mode is enabled, the Web Browser Interface can still be used to invoke switching and reboot commands.

Notes:

- *When the Automated Mode is enabled, password prompts will not be displayed at login, and you will be able to access Administrator Level command functions (including the configuration menus) and control plugs without entering a password.*
- *If you need to enable the Automated Mode, but want to restrict network access to configuration menus, it is strongly recommended to enable and configure the IP Tables function as described in Section 7.8.1.2.*
- *The Automated Mode is not available on DSM Series units.*

To enable/disable the Automated Mode, go to the System Parameters menu (see Section 7.2,) then access the Scripting Options menu and set the “Automated Mode” option to “On”. When enabled, CPM functions will change as follows:

1. **All Password Security Suppressed:** When a user attempts to access command mode, the password prompt will not be displayed at either the Setup Port or Network Port. Unless specifically restricted by the IP Security Function, all users will be allowed to access command mode, and all commands will be immediately accepted without the requirement to enter a password.
2. **Status Screen Suppressed:** The plug status screen will not be automatically displayed after commands are successfully executed. Note however, that the /S command can still be invoked to display the status screen as needed.
3. **“Sure?” Prompt Suppressed:** All commands are executed without prompting for user confirmation.
4. **Error Messages Suppressed:** Most error messages will be suppressed. Note however, that an error message will still be generated if commands are invoked using invalid formats or arguments.

All other status display and configuration commands will still function as normal.

7.2.5.2. Modem Pooling

The "Modem Hunt Telnet" and "Modem Hunt Raw" parameters allow the DSM/CPM to support modem pooling in conjunction with third party Serial Port Redirector software. This allows you to connect external modems to several DSM/CPM serial ports, and then use the DSM/CPM to automatically find a free modem when you need to create an outbound connection.

The Modem Hunt Telnet and Modem Hunt Raw options function as follows:

Modem Hunt Telnet: Offers three different configuration options: "Off" (Disabled), "On - No Password" and "On - Password." Each of the "On" options selects a default port number for modem pooling:

- On - No Password: Uses port number 2300.
- On - Password: Uses port number 2100. Note that when the password is enabled, you will be prompted to enter a valid DSM/CPM username and password.

Modem Hunt Raw: Offers three different configuration options: "Off" (Disabled), "On - No Password" and "On - Password." Each of the "On" options selects a default port number for modem pooling:

- On - No Password: Uses port number 3300.
- On - Password: Uses port number 3100. Note that when the password is enabled, you will be prompted to enter a valid DSM/CPM username and password.

In order to use Modem Pooling functions, the DSM/CPM must be configured as follows:

- Telnet Access and/or Raw Socket Access must be enabled (Network Parameters Menu.)
- Modem Hunt Telnet and/or Modem Hunt Raw must be enabled (Network Parameters Menu.)
- The Port Mode (Port Parameters Menu) for each DSM/CPM serial port attached to an external modem must be set to "Modem Mode."
- Direct Connect must be enabled (Port Parameters Menu) for each DSM/CPM serial port attached to an external modem.

In addition, you must also acquire the following information from the DSM/CPM and enter it into your Serial Port Redirector software:

- The Port Number (shown above) for the desired DSM/CPM Modem Hunt Telnet or Modem Hunt Raw option.
- The IPv4 or IPv6 format IP address for the DSM/CPM unit.

To create an outbound modem connection, start your communications program (e.g., PuTTY, TeraTerm, etc.), select the virtual COM port that was defined via your Serial Port Redirector software and then place a call as you normally would.

7.2.6. Power Configuration (CPM-C Series Units Only)

The Power Configuration menu allows you to adjust power measurements in order to obtain a more accurate determination of how much "real power" is being used by devices connected to the CPM-C Series unit. Real Power is determined by the following equation:

$$\text{Real Power} = \frac{(\text{Voltage} * \text{Amps}) * \text{Power Factor}}{\text{Power Efficiency}}$$

To define Power Configuration parameters, access the command mode using an account that permits access to Administrator level commands and then activate the System Parameters Menu.

Notes:

- *Current and Power Metering functions are only available on CPM-C Series units.*
- *In the Text Interface, power source configuration parameters are defined via the Power Configuration menu.*
- *In the Web Browser Interface, power source configuration parameters are selected via the System Parameters menu.*

The following Power Source Configuration parameters are available:

- **Voltage Calibration:** This option is used to calibrate the voltage readout on the CPM-C front panel. To calibrate the voltage, first determine the approximate voltage and then select the Voltage Calibration option and key in the correct voltage. In the Web Browser Interface, the voltage is entered at the System Parameters menu in the Voltage Calibration field. In the Text Interface, the voltage is entered in a submenu of the System Parameters menu. (Default = undefined)
- **Power Factor:** Can be any value from 0.1 to 1.00. (Default = 1.00)
- **Power Efficiency:** Can be any whole number from 1% to 100%. (Default = 100%)

7.3. User Accounts

Each time you attempt to access command mode, you will be prompted to enter a username (login) and password. The username and password entered at login determine which serial port(s) and plug(s) you will be allowed to control and what type of commands you will be allowed to invoke. Each username / password combination is defined within a "user account." The DSM/CPM allows up to 128 user accounts; each account includes a username, password, command access level, port/plug access rights, service access rights and an optional callback number.

7.3.1. Command Access Levels

In order to restrict access to important command functions, the DSM/CPM allows you to set the command access level for each user account. The DSM/CPM offers four different access levels: Administrator, SuperUser, User and View Only. Command privileges for each user account are set using the Add User or Modify User menus. Each access level grants permission to use a different selection of commands; lower access levels are restricted from invoking configuration commands, while Administrators are granted access to all commands. The four access levels are described below:

Note: *Power switching functions are only available on CPM Series units. Power related functions are not present on DSM Series units.*

- **Administrator:** Administrators are allowed to invoke all configuration and operation commands, can view all status screens, and can always connect to all serial ports and direct switching commands to all of the DSM/CPM's switched outlets.
- **SuperUser:** SuperUsers are allowed to invoke all port connection and power switching commands and view all status screens. SuperUsers can view configuration menus, but are not allowed to change configuration parameters. SuperUsers are granted access to all serial ports and switched outlets.
- **User:** Users are allowed to invoke port connection and power switching commands and view all status screens, but can only apply commands to the ports and outlets that they have been specifically granted access to. Users are not allowed to view configuration menus or change configuration parameters.
- **ViewOnly:** Accounts with ViewOnly access, are allowed to view Status Menus, but are not allowed to invoke port connection and power switching commands, and cannot view configurations menus or change parameters. ViewOnly accounts can display the Port/Plug Status screens, but can only view the status of ports and plugs that are allowed by the account.

Section 18.2 summarizes command access for all four access levels.

In the default state, the DSM/CPM includes one predefined account that provides access to Administrator commands and allows to control of all of the DSM/CPM's serial ports and switched power outlets. The default username for this account is **super** (lowercase), and the password for the account is also **super**.

Notes:

- *It is recommended that when initially setting up the unit, a new user account with Administrator access should be created, and the default "super" account should then be deleted.*
- *If the DSM/CPM is reset to default parameters, all user accounts will be cleared, and the default "super" account will be restored.*

7.3.2. Granting Serial Port Access

Each account can be granted access to a different selection of ports. Note also, that several accounts can be allowed access to the same port. When accounts are created, the Port Access parameter in the Add User or Modify User menu can be used to grant or deny access to each serial port by that account.

In addition, each command access level is also used to restricts the serial ports that the account will be allowed to access:

- **Administrator:** Accounts with Administrator access are always allowed to control all Serial Ports. Port access cannot be disabled for Administrator level accounts.
- **SuperUser:** SuperUser accounts allow access to all Serial Ports. Port access cannot be disabled for SuperUser level accounts.
- **User:** Accounts with User level access are only allowed to create connections with the Serial Ports that have been specifically permitted via the "Port Access" parameter in the Add User and Modify User menus.
- **ViewOnly:** Accounts with ViewOnly access are not allowed to create connections with Serial Ports. ViewOnly accounts can display the status of Serial Ports, but are limited to the ports specified by the account.

7.3.3. Granting Plug Access

Each account can be granted access to a different selection of switched power outlets (plugs) and plug groups. When accounts are created, the Plug Access parameter and the Plug Group Access parameter in the Add User menu or Modify User menu can be used to grant or deny access to each plug or plug group by that account.

Note: *Power switching functions are only available on CPM Series units. Power control functions are not present on DSM Series units.*

In addition, each command access level also restricts the plugs and plug groups that the account will be allowed to access:

- **Administrator:** Accounts with Administrator access are always allowed to control all plugs and plug groups. Plug access cannot be disabled for Administrator level accounts.
- **SuperUser:** SuperUser accounts allow access to all plugs and plug groups by default. Plug access cannot be disabled for SuperUser level accounts.
- **User:** Accounts with User level access are only allowed to issue switching and reboot commands to the plugs and plug groups that have been specifically permitted via the "Plug Access" parameter in the Add User and Modify User menus.
- **ViewOnly:** Accounts with ViewOnly access are not allowed to issue switching and reboot commands to outlets or plug groups. ViewOnly accounts can display the status of plugs and plug groups, but are limited to the plugs and plug groups specified by the account.

7.4. Managing User Accounts

The User Directory function is employed to create new accounts, display parameters for existing accounts, modify accounts and delete accounts. Up to 128 different user accounts can be created. The "User Directory" function is only available when you have logged into command mode using an account that permits Administrator commands.

In both the Text Interface and the Web Browser Interface, the user configuration menu offers the following functions:

- **View User Directory:** Displays currently defined parameters for any DSM/CPM user account as described in Section 7.4.1.
- **Add Username:** Creates new user accounts, and allows you to assign a username, password, command level, access rights and callback number, as described in Section 7.4.2.
- **Modify User Directory:** This option is used to edit or change account information, as described in Section 7.4.3.
- **Delete User:** Clears user accounts, as described in Section 7.4.4.

Note: *After you have finished selecting or editing account parameters, make certain to save the new account information before proceeding. In the Web Browser Interface, click on the "Add User" button to save parameters; in the Text Interface, press the [Esc] key several times until the DSM/CPM displays the "Saving Configuration" message and the cursor returns to the command prompt.*

7.4.1. Viewing User Accounts

The "View User Directory" option allows you to view details about each account. The View User option will not display actual passwords, and instead, the password field will read "defined". The View User Accounts function is only available when you have accessed command mode using a password that permits Administrator Level commands.

7.4.2. Adding User Accounts

The "Add Username" option allows you to create new accounts. Note that the Add User function is only available when you have accessed command mode using a password that permits Administrator Level commands. The Add User Menu can define the following parameters for each new account:

- **Username:** Up to 32 characters long, and cannot include non-printable characters. Duplicate usernames are not allowed. (Default = undefined)
- **Password:** Five to 16 characters long, and cannot include non-printable characters. Note that passwords are case sensitive. (Default = undefined)

- **Authorization Keys:** This item can be used to assign an SSH Authorization Key to the user account, view assigned authorization keys or delete assigned authorization keys. When a valid authorization key is assigned to a given user, that user will be able to access DSM/CPM command mode without entering a password. When assigning an authorization key, the DSM/CPM offers the option to define a name for the key and upload a key from the user's server. (Default = undefined)

Note: *After you have finished selecting or editing account parameters, make certain to save the new account information before proceeding. In the Web Browser Interface, click on the "Add User" button to save parameters; in the Text Interface, press the [Esc] key several times until the DSM/CPM displays the "Saving Configuration" message and the cursor returns to the command prompt.*

- **Access Level:** Determines which commands this account will be allowed to access. This option can set the access level for this account to "Administrator", "SuperUser", "User" or "ViewOnly." For more information on Command Access Levels, please refer to Section 7.3.1 and Section 18.2. (Default = User)
- **Port Access:** Determines which DSM/CPM Serial Ports this account will be allowed to access. (Defaults; Administrator & SuperUser = All Ports On, User and ViewOnly = undefined)

Notes:

- *Administrator and SuperUser level accounts will always have access to all Serial Ports.*
 - *ViewOnly accounts are allowed to display the status of Serial Ports, but are limited to the ports specified by the account. ViewOnly accounts are not allowed to create connections between ports.*
 - *The Port Access parameter is also used to grant or deny user access to the internal modem port.*
- **Plug Access:** (CPM Series Units Only) Determines which outlet(s) this account will be allowed to control. (Defaults; Administrator and SuperUser = All Plugs On, User and ViewOnly = undefined)

Notes:

- *Power Control functions are only available on CPM Series units. Power control functions are not present on DSM Series units.*
- *Administrator and SuperUser level accounts will always have access to all plugs.*
- *ViewOnly accounts are allowed to display the On/Off status of plugs, but are limited to the plugs specified by the account. ViewOnly accounts are not allowed to invoke switching and reboot commands.*

- **Plug Group Access:** (CPM Series Units Only) Determines which Plug Groups this account will be allowed to control. Plug Groups allow you to define a selection of outlets, and then quickly assign those outlets to new accounts by allowing the account to access the Plug Group. For more information on Plug Groups, please refer to Section 7.5. (Default = undefined)

Notes:

- *Power Control functions are only available on CPM Series units. Power control functions are not present on DSM Series units.*
- *In order to use this feature, Plug Groups must first be defined as described in Section 7.5.*
- *Administrator and SuperUser level accounts will always have access to all plug groups.*
- *ViewOnly accounts are allowed to display the On/Off status of plug groups, but are limited to the plug groups specified by the account. ViewOnly accounts are not allowed to invoke switching and reboot commands.*
- **Service Access:** Determines whether this account will be able to access command mode via Serial Port, Telnet/SSH or Web and whether or not the account will be allowed to initiate outbound connections. For example, if Telnet/SSH Access is disabled for this account, then this account will not be able to access command mode via Telnet or SSH. (Default = Serial Port = On, Telnet/SSH = On, Web = On, Outbound Access = Off.)

Note: *The Service Access Parameter is only used to select permitted access services for an individual user account. To separately enable/disable all SSH/Telnet Access for the DSM/CPM unit, please refer to Section 7.8.1.*

- **Current/Power Metering:** (CPM-C Series Units Only) Enables/Disables this account's access to Current and Power Metering functions. (Default = Off)
- **Note:** *Current/Power Metering functions cannot be disabled for Administrator level accounts or SuperUser level accounts.*
- **Callback Phone Number:** Assigns a number that will be called when this account attempts to access command mode via modem, and the Callback Security Function has been enabled as described in Section 7.2.4. (Default = undefined)

Notes:

- *If the Callback Phone Number is not defined, then Callbacks will not be performed for this user.*
- *If the Callback Phone Number is not defined for a given user, and the Callback Security feature is configured to use either of the "On - Callback" options, then this user will be granted immediate access to command mode via modem.*
- *If the Callback Phone Number is not defined for a given user, and the Callback Security feature is configured to use the "On - Callback ONLY" option, then this user will not be able to access command mode via Modem.*
- *When using the "On - Callback (With Password Prompt)" option, it is important to remember that accounts that do not include a callback phone number will be allowed to access command mode without callback verification.*

7.4.3. Modifying User Accounts

The "Modify User Directory" function allows you to edit existing user accounts in order to change parameters, port and plug access rights or Administrator Command capability. Note that the Modify User function is only available when you have entered command mode using a password that permits Administrator Level commands. Once you have accessed the Modify Users menu, use the menu options to redefine parameters in the same manner that is used for the Add User menu, as discussed in Section 7.4.2.

Note: *After you have finished changing parameters, make certain to save the changes before proceeding. In the Web Browser Interface, click on the "Modify User" button to save parameters; in the Text Interface, press the [Esc] key several times until the DSM/CPM displays the "Saving Configuration" message.*

7.4.4. Deleting User Accounts

This function is used to delete individual user accounts. Note that the Delete User function is only available when you have accessed command mode using a password that permits Administrator Level commands.

Notes:

- *Deleted accounts cannot be automatically restored.*
- *The DSM/CPM allows you to delete the default "super" account, which is included to permit initial access to command mode. Before deleting the "super" account, make certain to create another account that permits Administrator Access. If you do not retain at least one account with Administrator Access, you will not be able to invoke Administrator level commands.*

7.5. The Plug Group Directory

Note: *Power control functions are only available on CPM Series units. The Plug Group Directory is not present on DSM Series units.*

The Plug Group Directory allows you to designate groups of plugs that are dedicated to a similar function, and will most likely be switched or rebooted all at the same time or controlled by the same type of user account.

For example, an individual equipment rack might include an assortment of devices that belong to different departments or clients. In order to simplify the process of granting plug access rights to the accounts that will control power to these devices, you could assign all of the plugs for the devices belonging to Department A to a Plug Group named "Dept_A", and all of the plugs for the devices belonging to Department B to a Plug Group named "Dept_B". When user accounts are defined, this would allow you to quickly grant access rights for all of the plugs for the devices belonging to Department A to the appropriate user accounts for Department A, by merely granting access to the Dept_A Plug Group, rather than by selecting the specific, individual plugs for each Department A user account.

Likewise, Plug Groups allow you to direct On/Off/Boot commands to a series of plugs, without addressing each plug individually. Given the example above, you could quickly reboot all plugs for Department A, by either including the "Dept_A" Plug Group name in a /BOOT command line via the Text Interface, or by using the Plug Group Control menu via the Web Browser Interface.

The Plug Group Directory function is only available when you have logged into command mode using an account that permits Administrator commands. In both the Text Interface and the Web Browser Interface, the Plug Group Directory menu offers the following functions:

- **View Plug Group Directory:** Displays currently defined plug access rights for any DSM/CPM Plug Group as described in Section 7.5.1.
- **Add Plug Group to Directory:** Creates new Plug Groups, and allows you to assign plug access rights to each group as described in Section 7.5.2.
- **Modify Plug Group Directory:** This option is used to edit or change plug access rights for each Plug Group, as described in Section 7.5.3.
- **Delete Plug Group from Directory:** Clears Plug Groups that are no longer needed, as described in Section 7.5.4.

7.5.1. Viewing Plug Groups

Note: Power control functions are only available on CPM Series units. The Plug Group Directory is not present on DSM Series units.

The "View Plug Group Directory" option allows you to view the configuration of each Plug Group. Note that the View Plug Group Directory function is only available when you have accessed command mode using a password that permits Administrator Level commands.

7.5.2. Adding Plug Groups

Note: Power control functions are only available on CPM Series units. The Plug Group Directory is not present on DSM Series units.

The "Add Plug Group to Directory" option allows you to create new Plug Groups and assign plug access rights to each group. Note that the Add Plug Group function is only available when you have accessed command mode using a password that permits Administrator Level commands. The Add Plug Group Menu can be used to define the following parameters for each new account:

- **Plug Group Name:** Assigns a name to the Plug Group. (Default = undefined)
- **Plug Access:** Determines which plugs this Plug Group will be allowed to control. (Default = undefined)

Notes:

- *In the Text Interface, Plug Access is configured by selecting item 2 and then selecting the desired plugs from the resulting submenu.*
- *In the Web Browser Interface, Plug Access is configured by selecting the desired plugs from a list of all plugs in the Add Plug Group menu.*
- *After you have finished defining or editing Plug Group parameters, make certain to save the changes before proceeding. In the Web Browser Interface, click on the "Add Plug Group" button to save parameters; in the Text Interface, press the **[Esc]** key several times until the DSM/CPM displays the "Saving Configuration" message and the cursor returns to the command prompt.*

7.5.3. Modifying Plug Groups

Note: Power control functions are only available on CPM Series units. The Plug Group Directory is not present on DSM Series units.

The "Modify Plug Group" function allows you to edit existing Plug Groups in order to change plug access rights. Note that this function is only available when you have accessed command mode using a password that permits Administrator Level commands. Once you have accessed the Modify Plug Group menu, use the menu options to redefine parameters in the same manner that is used for the Add Plug Group menu, as discussed in Section 7.5.2.

Note: After you have finished changing or editing parameters, make certain to save the changes before proceeding. In the Web Browser Interface, click on the "Modify Plug Groups" button to save parameters; in the Text Interface, press the **[Esc]** key several times until the DSM/CPM displays the "Saving Configuration" message and the cursor returns to the command prompt.

7.5.4. Deleting Plug Groups

Note: Power control functions are only available on CPM Series units. The Plug Group Directory is not present on DSM Series units.

This function is used to delete individual Plug Groups. Note that this function is only available when you have accessed command mode using a password that permits Administrator Level commands.

Note: Deleted accounts cannot be automatically restored.

7.6. Defining Plug Parameters

Note: Power control functions are only available on CPM Series units. The Plug Parameters Menu is not present on DSM Series units.

The Plug Parameters Menu is used to define Plug Names, boot/sequence delay times and Power Up Default values for each of the CPM Series Unit's Switched AC Outlets. Note that this function is only available when you have accessed command mode using a password that permits Administrator Level commands.

To define Plug Parameters via the Text Interface, type `/P1` and then press **[Enter]** to display the Plug Parameters Menu. To define plug parameters via the Web Browser Interface, click on the Plug Parameters link on the left hand side of the screen to display the Plug Parameters Menu.

The Plug Parameters Menu allows you to define the following parameters:

- **Plug Name:** Up to 16 Characters. (Defaults for Plugs 1 through 8 = Outlet1 - Outlet8)
- **Boot/Seq. Delay:** When more than one plug is switched On or a reboot cycle is initiated, the Boot/Sequence delay determines how much time will elapse before the next plug is switched On. When the Boot/Sequence Delay is applied, the DSM/CPM will wait for the user-defined delay period before switching On the next plug. This allows time for the device connected to the first plug to adequately "wake up" before switching on power to the device connected to the next plug. When Reboot cycles and switching actions are initiated, the Boot/Sequence Delay will be applied as follows: (Default = 0.5 Second)
 - **Reboot Cycle Delay:** During a reboot cycle, the CPM Series Unit will first switch all selected plugs "Off" (with a 0.5 second pause between each "Off" operation), and then begin to switch selected plugs back On again, pausing for the user-defined Boot/Sequence Delay before switching On the next plug. For example, if the Boot/Sequence Delay for Plug 3 is ten seconds, then the CPM will pause for ten seconds before proceeding to the next plug.
 - **"On" Sequence Delay:** When two or more plugs are switched On, the CPM Series Unit will pause for the user-defined Boot/Sequence Delay before switching On the next plug.

- **Power Up Default:** Determines how this plug will react when the "Default All Plugs" command (/DPL) is invoked, or after power to the unit has been interrupted and then restored. After the default command is invoked, or power is restored, the DSM/CPM will automatically switch each plug On or Off as specified by the Power-Up Default. (Default = On).

Notes:

- *If you have accessed command mode using an account that has Administrator or SuperUser level command access, then the Default command will be applied to all switched plugs.*
 - *If you have accessed command mode using an account that has User level command access, then the Default command will only be applied to the plugs allowed by your account.*
 - *The Default command is not available to ViewOnly level accounts.*
- **Boot Priority:** When commands are applied to two or more plugs, the Boot Priority parameter determines the order in which the plugs will be switched On. The Plug that has been assigned a Boot Priority of "1" will always be switched on first, followed by the plug that has been assigned the Boot Priority of "2", and so forth. When you assign a boot priority to any given plug, then all subsequent plugs will have their priority lowered by one. For more information on the Boot Priority parameter, please refer to Section 7.6.1. (Default = All plugs prioritized according to Plug Number)

7.6.1. The Boot Priority Parameter

Normally, when an "On" or "Reboot" command is invoked, CPM Series units will switch on its plugs in their default, numeric order. Although in many cases, the default, numeric order will work fine, there are other cases where an individual device (such as a router) must be switched on first, in order to support a second device that will be switched on later.

The Boot Priority Parameter simplifies the process of setting the order in which plugs are switched On, by assigning a priority number to each plug, rather than by requiring the user to make certain that devices are always connected to the DSM/CPM in a set order. Likewise, when new devices are added to your equipment rack, the Boot Priority Parameter eliminates the need to unplug all existing devices and then rearrange the plugs connected to the DSM/CPM (and re-define plug parameters) to ensure that they are switched on in the desired order.

Notes:

- *Power control functions are only available on CPM Series units. The Boot Priority Parameter is not present on DSM Series units.*
- *No two plugs can be assigned the same Boot Priority number.*
- *When a higher Boot Priority is assigned to any given plug, all subsequent plugs will have their boot priorities lowered by a factor of 1.*
- *The Boot Priority is also displayed on the Plug Status Screen.*

7.6.1.1. Example 1: Change Plug 3 to Priority 1

In the Example shown in Figure 7.1, we start out with all Plugs set to their default Boot Priorities, with Plug 1 first, Plug 2 second and so forth.

Next, the Boot Priority for Plug 3 is changed to Priority 1. This means that Plug 3 will now be switched On first after a reboot, and that Plug 1 will now be switched On second, Plug 2 will be third, etc..

Note that when the Boot Priority for Plug 3 is set to 1, the Boot Priorities for all plugs that were previously Booted before plug A1 are now lowered by a factor of one.

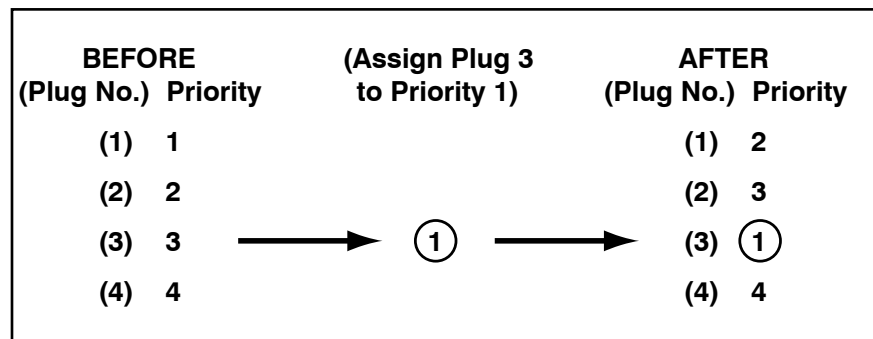


Figure 7.1: Boot Priority Example 1

7.6.1.2. Example 2: Change Plug 4 to Priority 2

In the second Example shown in Figure 7.2, we start out with Boot Priorities for the plugs set as they were at the end of Example 1; Plug 3 is first, Plug 1 is second, Plug 2 is third and Plug 4 is fourth.

Next, the Boot Priority for Plug 4 is changed to Priority 2. This means that Plug 3 will continue to be switched on first after a reboot, but now Plug 4 will be switched on second, Plug 1 will be third and Plug 2 will be fourth.

Once again, note that when the Boot Priority for Plug 4 is set to 2, the Boot Priorities for all plugs that were previously Booted before plug 4 are now lowered by a factor of one

BEFORE		(Assign Plug 4 to Priority 2)	AFTER	
(Plug No.)	Priority		(Plug No.)	Priority
(1)	2		(1)	3
(2)	3		(2)	4
(3)	1		(3)	1
(4)	4	→	(2)	→

Figure 7.2: Boot Priority Example 2

7.7. Serial Port Configuration

The Serial Port Configuration menus allow you to select parameters for the DSM/CPM's Serial Ports as well as the Internal Modem Port.

The Serial Ports can be configured for connection to a local PC or Modem. In addition, the Serial Port Configuration menu can also be used to set communications parameters, disable Administrator level commands and also select a number of other Serial Port Parameters described in Section 7.7.2.

When responding to prompts, invoking commands, and selecting items from port configuration menus, note the following:

- Configuration menus are only available to Administrator level accounts.
- If you are configuring the DSM/CPM via modem, modem parameters will not be changed until after you exit command mode and disconnect from the unit.
- For a description of the procedure for configuring the USB Mini Port, please refer to Section 7.8.1..
- On DSM-8 Series and CPM-800 Series units, Port 9 is the optional Internal Dial-Up Modem Port or optional Internal Cellular Modem Port.
- On CPM-1600 Series Units, Port 17 is the optional Internal Dial-Up Modem Port or optional Internal Cellular Modem Port.
- On DSM-24 Series units, Port 25 is the optional Internal Dial-Up Modem Port or optional Internal Cellular Modem Port.
- On DSM-40 Series units, Port 41 is the optional Internal Dial-Up Modem Port or optional Internal Cellular Modem Port.
- The Analog Modem Port is not present on DSM model numbers that include the letters "NM" or on CPM model numbers that end with the letter "N".
- The optional Internal Dial-up/Analog Modem is not available on DSM/CPM Series units that include the optional Internal Cellular Modem.

7.7.1. RS232 Port Modes

The DSM/CPM offers five different serial port operation modes:

- **Any-to-Any Mode:** Allows communication between connected ports and permits access to command mode. Any-to-Any Mode Ports can be connected to other Any-to-Any, Passive, Buffer or Modem Mode Ports by invoking the /C command. The Any-to-Any Mode is available to all ports (except the Internal Modem Port) and is the default Port Mode for Port 1.
- **Passive Mode:** Allows communication between connected ports, but does *not* allow access to command mode. Passive Mode Ports can be connected by accessing command mode from a free Any-to-Any or Modem Mode port and invoking the /C command. Passive Mode is not available at Port 1, the Network Port or the Internal Modem Port, and is the default mode at Ports 2 and above.
- **Buffer Mode:** Allows storage of data received from connected devices. Collected data can be retrieved by accessing command mode from a free Any-to-Any or Modem Mode Port, and issuing the Read Buffer (/R) Command. Furthermore, Buffer Mode ports can also be configured to support the Syslog and SNMP Trap features, discussed in Section 13 and Section 14. The Buffer Mode is not available at Port 1, the Network Port or the Internal Modem Port.
- **Modem Mode:** Allows communication between connected ports, permits access to command mode and simplifies connection to an external modem. Modem Mode ports can perform all functions normally available in Any-to-Any Mode, but Modem Mode also allows definition of a Hang-Up String, Reset String, and Initialization String and other modem-related parameters. The Modem Mode is not available at the Network Port and is the default mode for the Internal Modem Port (if present.)
- **Modem PPP Mode:** Allows data normally sent via Ethernet to be sent via phone line. Modem PPP Mode ports can perform all functions normally available in Any-to-Any Mode, but Modem PPP Mode also allows definition of a Hang-Up String, Reset String, Initialization String, IP Address and other communication-related parameters. The Modem PPP Mode is not available at the Network Port. When the Cellular Modem Option is present, the Cellular Modem Port will always be set for Modem PPP Mode

For more information on Port Modes, please refer to Section 6.2.

7.7.2. The Serial Port Configuration Menu

To configure the DSM/CPM's Serial Ports via the Text Interface, type `/P n` and then press **[Enter]** (Where *n* is the name or number of the desired port. To configure the Serial Ports via the Web Browser Interface, click the "Serial Port Configuration" link on the left hand of the screen and then use the dropdown menu to select the desired port.

The Serial Port Configuration menu allows the following parameters to be defined. Note that all of these parameters are available via both the Text Interface and Web Browser Interface, and that parameters selected via one interface are also applied to the other.

Notes:

- *When the Cellular Modem Option is present, the /P command can also be used to access the Cell Modem Parameters menu. To access the Cell Modem Parameters menu, type /P modem, press [Enter] and proceed as described in Section 7.8.1.1.*
- *Parameters defined for the Serial SetUp Port will not be applied to the USB Mini SetUp Port. To define parameters for the USB Mini SetUp Port, please refer to Section 7.8.1.*

Communication Settings:

- **Baud Rate:** Any standard rate from 300 bps to 460K bps.
(Defaults; Serial Ports 1 to 8 = 9600 bps; Internal Modem Port = 57.6K bps)
- **Bits/Parity:** (Default = 8-None)
- **Stop Bits:** (Default = 1)
- **Handshake Mode:** XON/XOFF, RTS/CTS (hardware), Both, or None.
(Default = RTS/CTS)

General Parameters:

- **Administrator Mode:** Permits/denies port access to Administrator level accounts. When enabled (Permit), the port will be allowed to invoke Administrator level commands, providing they are issued by an account that permits them. If disabled (Deny), then accounts that permit Administrator level commands will not be allowed to access command mode via this port. (Default = Permit)

Note: *Administrator Mode cannot be disabled at Serial Port 1 (the SetUp port.)*

- **Logoff Character:** The Logoff Character determines the command(s) or character(s) that must be issued at this port in order to disconnect. Note that the Logoff Character does not apply to Direct Connections. (Default = ^x)
- **Sequence Disconnect:** Enables/Disables and configures the Resident Disconnect command. This offers the option to disable the Sequence Disconnect, select a one character format or a three character format. (Default = One Character)

- **Inactivity Timeout:** Enables and selects the Timeout Period for this port. If enabled, the Serial Port will disconnect when no additional data activity is detected for the duration of the timeout period. (Default = 5 Minutes)

Notes:

- *When the Inactivity Timeout is disabled, this allows ports to automatically reconnect after a power interruption. When power is restored, pairs of ports that were previously connected will be automatically reconnected, providing that the Inactivity Timeout is disabled at both ports, and the two ports have been connected for at least ten minutes prior to the power interruption.*
 - *The only exception to this rule is Serial Port 1, which will remain disconnected after power is restored in order to provide a free serial port for local access to command mode.*
- **Command Echo:** Enables or Disables command echo at this Serial Port. When disabled, commands that are sent to the Serial Port will still be invoked, but the actual keystrokes will not be displayed on your monitor. (Default = On)
 - **Accept Break:** Determines whether the port will accept breaks received from the attached device. When enabled, breaks received at the port will be passed to any port that this port is connected to. When disabled, breaks will be refused at this port. (Default = On)

Port Mode Parameters:

- **Port Name:** Allows you to assign a name to the Serial Port. (Defaults; Serial Ports 1 and above = undefined; Internal Modem Port (if present) = MODEM)
- **Port Mode:** The operation mode for this port. (Defaults; Serial Port 1 = Any-to-Any Mode; Serial Ports 2 and above = Passive, Internal Modem Port (if present) = Modem Mode)

Notes:

- *Passive and Buffer Modes are not available at Serial Port 1 (the Setup Port.)*
- *The Port Mode for the Internal Modem Port (if present) can only be set to Modem Mode.*
- *DSM/CPM Series units that include the Cellular Modem Option do not include the Internal Dial-Up Modem Option.*
- *On DSM/CPM Series units that include the Cellular Modem Option, the Port Mode for the Cellular Modem Port will always be Modem PPP. In this case, Modem PPP parameters are not defined by the user and are instead determined when a connection to the network is established.*

Depending on the Port Mode selected, the DSM/CPM will also display the additional prompts listed below. In the Text Interface, these parameters are accessible via a submenu, which will only be active when the appropriate port mode is selected. In the Web Browser Interface, fields will be "grayed out" unless the corresponding port mode is selected.

- ◆ **Any-to-Any Mode and Passive Mode:** Allows communication with a local PC and permits access to command mode. When Any-to-Any Mode or Passive Mode are selected, the following mode specific parameter can also be defined:
 - **DTR Output:** Determines how DTR will react when the port disconnects. DTR can be held low, held high, or pulsed for 0.5 seconds and then held high. (Default = Pulse)
- ◆ **Buffer Mode:** When the Buffer Mode is selected, the following mode specific parameters may be defined:
 - **Date/Time Stamp:** Enables/disables the Time/Date stamp for buffered data at this port. When enabled, the DSM/CPM will add a time/date stamp whenever five seconds elapse between data items received. (Default = On)
 - **Buffer Connect:** When enabled, the DSM/CPM will continue to Buffer captured data while you are connected to this Buffer Mode port. (Default = Off)
 - **DTR Output:** Determines how DTR will react when the port disconnects. DTR can be held low, held high, or pulsed for 0.5 seconds and then held high. (Default = Pulse)
- ◆ **Modem Mode:** Permits access to command mode and simplifies connection to an external dial-up modem. Modem Mode ports can perform all functions normally available in Any-to-Any Mode, but Modem Mode also allows definition of a Hang-Up String, Reset String, and Initialization String:

Note: *When communicating with the DSM/CPM via dial-up modem, Modem Mode parameters will not be changed until after you exit command mode and disconnect.*

- **Modem Reset String:** Redefines the modem reset string. The Reset String can be sent prior to the Initialization string. (Default = **ATZ**)
- **Modem Initialization String:** Defines a command string that can be sent to initialize a modem to settings required by your application. (Default = **AT&C1&D2S0=1&B1&H1&R2**)
- **Modem Hang-Up String:** Although the DSM/CPM will pulse the DTR line to hang-up an attached modem, the Hang-Up string is often useful for controlling modems that do not use the DTR line. (Default = undefined)
- **Reset/No Dialtone Interval:** Defines the Periodic Modem reset duration, (which determines how often the Reset String will be sent to the modem at this port) and also sets the trigger value for the No Dialtone Alarm. If this value is set to "0," then the No Dialtone Alarm will not function. For more information on the No Dialtone Alarm, please refer to Section 9.11. (Default = 15 Minutes)

- **No DIALTONE Alarm Enable:** Enables/Disables the No DIALTONE Alarm. This item must be enabled in order for the No DIALTONE Alarm to function. For more information on the No DIALTONE Alarm, please refer to Section 9.11. (Default = Off)
- **Reset/No DIALTONE Scaler:** Determines the number of Periodic Modem Reset sequences that must occur in order to initiate a No DIALTONE Check. If this parameter is set to "0," then the No DIALTONE Alarm will not function. When both this parameter and the Reset/No DIALTONE Interval are set to a value from 1 to 99 and the No DIALTONE Alarm is enabled, the DSM/CPM will initiate a No DIALTONE Check after a time period equal to the defined Reset/No DIALTONE Interval value multiplied by the Reset/No DIALTONE Scaler value. (Default = 16)
- ◆ **Modem PPP Mode:** Allows data normally sent via Ethernet to be sent via phone line. When Modem PPP Mode is selected, the following modem-related parameters will be available:

Note:

- *When communicating with the DSM/CPM via modem, Modem PPP Mode parameters will not be changed until after you exit command mode and disconnect.*
- *Only one serial port on the DSM/CPM Series unit can be configured for Modem PPP Mode at any given time.*
- *On DSM/CPM Series units that include the Cellular Modem Option, the Port Mode for the Cellular Modem Port will always be Modem PPP. In this case, Modem PPP parameters are not defined by the user and are instead determined when a connection to the network is established.*
- **Reset String:** Redefines the modem reset string. The Reset String can be sent prior to the Initialization string. (Default = **ATZ**)
- **Initialization String:** Defines a command string that is used to initialize the modem to settings required for PPP communication (Default = **ATQ0V1E1S0=0&C1&D2**)
- **Hang-Up String:** Although the DSM/CPM will pulse the DTR line to hang-up an attached modem, the Hang-Up string is often useful for controlling modems that do not use the DTR line. (Default = undefined)
- **Reset/No DIALTONE Interval:** Defines the Periodic Modem reset duration, (which determines how often the Reset String will be sent to the modem at this port) and also sets the trigger value for the No DIALTONE Alarm. If this value is set to "0," then the No DIALTONE Alarm will not function. For more information on the No DIALTONE Alarm, please refer to Section 9.11. (Default = 15 Minutes)
- **No DIALTONE Alarm Enable:** Enables/Disables the No DIALTONE Alarm. This item must be enabled in order for the No DIALTONE Alarm to function. For more information on the No DIALTONE Alarm, please refer to Section 9.11. (Default = Off)

- **Reset/No Dialtone Scaler:** Determines the number of Periodic Modem Reset sequences that must occur in order to initiate a No Dialtone Check. If this parameter is set to "0," then the No Dialtone Alarm will not function. When both this parameter and the Reset/No Dialtone Interval are set to a value from 1 to 99 and the No Dialtone Alarm is enabled, the DSM/CPM will initiate a No Dialtone Check after a time period equal to the defined Reset/No Dialtone Interval value multiplied by the Reset/No Dialtone Scaler value. (Default = 16)
- **Periodic Reset Location:** The IP address or URL for the website that will be used to keep the PPP connection alive when not in use. The DSM/CPM will regularly ping the selected IP address or URL in order to keep the connection alive. (Default = undefined)

Notes:

- *In order to select a domain name as the Periodic Reset Location, you must first define the Domain Name Servers as described in Section 7.8.3.*
 - *The IP Address, P-t-P and Subnet Mask parameters cannot be defined by the user and will be automatically supplied by the ISP when a PPP communication is started..*
- **PPP Phone Number:** The phone number for the line that will be used for PPP communication. (Default = undefined)
 - **User Name:** The user name for the ISP account that will be used for PPP communication. (Default = undefined)
 - **Password:** The password for the ISP account that will be used for PPP communication (Default = undefined)
 - **IP Address:** The temporary IP address that will be assigned to the PPP communication session by the ISP. Note that this item cannot be defined by the user and will be automatically supplied by the ISP when a PPP communication session is started. (Default = undefined)
 - **P-t-P:** Note that this item cannot be defined by the user and will be automatically supplied by the ISP when a PPP communication session is started. (Default = undefined)
 - **Subnet Mask:** Note that this item cannot be defined by the user and will be automatically supplied by the ISP when a PPP communication session is started. (Default = undefined)

- **Heartbeat:** The Heartbeat parameter can be used in conjunction with the Lost Communication alarm to provide notification when a WTI device that has been attached to one of the DSM/CPM's serial ports ceases to function. Normally, the DSM/CPM will send the Heartbeat message to an attached WTI device at regular intervals; if the attached device fails to respond to the Heartbeat message, the DSM/CPM can then notify you via email, Syslog Message or SNMP Trap as described in Section 9.3. Note that the Heartbeat feature is only available when the DSM/CPM serial port has been configured for "Any-to-Any" mode. (Default = Off)

Notes:

- *The Heartbeat function will only work if the port is configured for Any-to-Any mode. In order to employ the Lost Communication Alarm, all target ports must be configured for Any-to-Any mode.*
- *In order for the Lost Communication Alarm to function, it may be necessary to update the firmware on your remote WTI equipment.*

Network Services:

- **Direct Connect:** Direct Connect allows users to access the DSM/CPM and automatically create a connection between the Network Port and a specific serial port by including the appropriate port number in the connect command (e.g. Port 5 = 2105). For more information, please refer to Section 11.3. As described below, the Direct Connect feature offers three options. (Default = Off)
 - ◆ **Off:** Users will *not* be able to employ the Direct Connect feature to connect to this port.
 - ◆ **On - No Password:** Users *will* be able to employ the Direct Connect feature to connect to this port without entering a password.
 - ◆ **On - Password:** Users will be able to employ Direct Connect to connect to this port, but will be required to enter a password before the connection is established.
 - ◆ **Off - Break on Raw Disconnect:** The port will send a break character when a Raw Socket connection with the port is terminated. Note that this feature will work with both the "No Password" and "Password" options as described in Section 11.3.2. In the default state this feature is disabled; no break character is sent when a Raw Socket connection is terminated.

Note: *If "On - Password" is selected, and Administrator level commands are disabled at the Network Port, then only accounts that do not permit Administrator level commands will be allowed to establish a direct connection via the Network Port. If Administrator level commands are disabled at a given port, then that port will not allow access by accounts that permit Administrator level commands.*

When the Port Parameters menu is accessed via the Text Interface and the Direct Connect feature is enabled, the menu also lists both Direct Connect port numbers for this port (port numbers are not listed in the Web Browser Interface.)

- ◆ **Telnet Port:** The Telnet port number employed to create a Direct Connection to this port using standard Telnet protocol.
- ◆ **SSH Port:** When Direct Connect (Item 31) is set at "On - Password", this line will display the port number used to create a Direct Connection to this port using SSH protocol. For more information, please refer to Section 11.
- ◆ **Raw Port:** The port number that is used to create a Direct Connection to this port using Raw Socket protocol.
- **Syslog:** The Syslog feature is used to create records of each buffer event. As event records are created, they are sent to a Syslog Daemon, at an IP address defined via the Network Parameters menu. For more information, please refer to Section 12. The Syslog feature offers three possible settings. (Default = Off)
 - ◆ **Off:** Syslog disabled. (Default)
 - ◆ **On - Not Connected:** Messages will only be generated when a user is *not* connected to a buffer port (either by /C or direct connect.) This prevents information captured from the attached device from being put into Syslog messages while a user is connected to a buffer port.
 - ◆ **On - Always:** All captured information will be sent out via Syslog message; whether a user is connected or not.

Notes:

- *Syslog is only available at Buffer Mode Ports.*
- *This option is not available to serial port 1, because port 1 cannot be configured as a Buffer Mode Port.*

The Port Parameters menu also offers two additional items used to set the priority of Syslog messages generated by this port:

- ◆ **Facility:** The facility under which this port will log messages. (Default = Local_0)
- ◆ **Level:** The severity (or priority) of messages generated by this port. (Default = Emergency)
- **Buffer Threshold:** Enables/disables the Buffer Threshold function for Buffer Mode ports and sets the level that will generate traps and/or Buffer Threshold Alarms at this port. If set to "0" (zero), then SNMP Traps are disabled at this port.

If the Buffer Threshold parameter is set at a value of one (1) or greater, then the Buffer Threshold function is enabled, and traps will be sent to the SNMP Managers whenever the buffer for this port reaches the specified threshold level. For more information, please refer to Section 13. When a Buffer Threshold value is defined, this also allows the Buffer Threshold Alarm to be employed as described in Section 9.7. (Default = Off/0)

Note:

- *The Buffer Threshold feature only applies to Buffer Mode Ports.*
- *This option is not available to Serial Port 1. This is because Port 1 is reserved as a SetUp Port, and cannot be configured as a Buffer Mode Port.*

- **IP Alias:** Assigns an IP address of your choice to the serial port. When an IP address is assigned to the serial port, this essentially allows users to create a direct connection to the serial port without first entering a password.
(Default = undefined)

Notes:

- *The IP Alias feature is only available when the Direct Connect feature is set to "On - Password" or "On - No Password."*
- *To display the assigned IP Alias for each serial port via the Text Interface, type /SA and press [Enter].*
- *To display the IP Alias status via the Web Browser Interface, place the cursor over the "Port Status" link on the left hand side of the screen, wait for the flyout menu to appear and then click on the "Alias Status" link.*

7.7.3. Copying Parameters to Several Serial Ports (Text Interface Only)

If you are configuring the DSM/CPM via the Text Interface, the /CP (Copy Parameters) command can be used to select identical parameters for one or more serial ports. When the /CP command (Copy Port Parameters) is invoked, the unit will display a menu which allows you to select parameters, and copy them to all or several DSM/CPM serial ports. The Copy Port Parameters menu can set all parameters for the specified port(s), or define only a select group of parameters for a specific group of ports.

Notes:

- The /CP command is not available via the Web Browser Interface.
- The /CP command will not copy parameters to the Network Port.
- The /CP command is only available to accounts and ports that permit Administrator level commands.
- The /CP command cannot be used to set Port 1 to Passive or Buffer Mode, or to disable the Administrator Mode at Port 1.

To copy parameters to all or several RS-232 serial ports, proceed as follows:

1. Access the DSM/CPM command mode via the Text Interface, using an account and port that permit access to Administrator level commands.
2. Invoke the /CP command at the command prompt; the Copy Parameters menu will be displayed. The following command line options are available:
 - a) **Copy to All Ports:** Type /CP [Enter].
 - b) **Copy to a Range of Ports:** Type /CP m-n [Enter]. Where m and n are port numbers that specify the desired range. For example, to copy parameters to ports 3 through 7, type /CP 3-7 and press [Enter].
 - c) **Copy to Several Ports:** Type /CP m,n,x [Enter]. Where m, n and x are the numbers of the desired ports. For example, to copy parameters to ports 3, 5, and 7, type /CP 3,5,7 [Enter].
 - d) **Combination:** To invoke the /CP command in a manner where a range of ports is specified, along with several ports outside the range, type /CP m,n,x-z [Enter]. Where m, n, x, and z are port numbers. For example to copy parameters to ports 3 and 5 plus ports 7 through 9, type /CP 3,5,7-9 [Enter].
3. **Selecting Parameters:** To select parameters to be copied, key in the number for the desired parameter, press [Enter], then follow the instructions in the submenu.
4. **Clear Menu:** After defining several parameters, if you wish to clear the /CP menu and start again, type - (dash) and press [Enter], the menu will be reset.
5. **Exit Without Copy:** To exit the Copy Parameters menu *without* copying selected parameters, type x [Enter]. The DSM/CPM will return to the command prompt.
6. **Copy Parameters:** When you have finished selecting parameters, press [Esc] to copy the selected parameters.
7. The DSM/CPM will display a confirmation prompt before executing the copy command. Type y to proceed or n to cancel the command, and then press [Enter].

7.8. Network Configuration

The Network Parameters Menus are used to select parameters and options for the Network Port and also allow you to implement various security and authentication features. To access the Network Parameters menus, proceed as follows:

The Network Parameters menu allows you to define the parameters discussed in the following sections. Although the Web Browser Interface and Text Interface allow definition of essentially the same parameters, parameters are arranged differently in the two interfaces. In the Text Interface, most network parameters are defined via one menu. But in the Web Browser Interface, network parameters are divided into separate menus which are accessed via the Network Configuration flyout menu.

Notes:

- *Settings for network parameters depend on the configuration of your network. Please contact your network administrator for appropriate settings.*
- *The Network Parameters Menu selects parameters for all logical Network Ports.*
- *The IP Address, Subnet Address and Gateway Address cannot be changed via the Web Browser Interface. In order to change these parameters, you must access the unit via the Text Interface.*
- *When a new IP Address is selected, or the status of the DHCP feature is changed, the unit will disconnect and reconfigure itself with the new values when you exit the Network Parameters Menu. When configuring the unit, make certain your DHCP server is set up to assign a known, fixed IP address in order to simplify reconnection to the unit after the new address has been assigned.*
- *The Network Parameters menu is only available when you have logged into command mode using an account and port that permit Administrator level commands (Administrator Mode enabled.)*

The Network Configuration Menus:

The Network Configuration menus allow you to define both IPv4 parameters and IPv6 parameters for the primary DSM/CPM Ethernet Port (Eth0) as well as the optional secondary Ethernet Port (Eth1, if present,) and the optional Cellular Modem Port (if present.) Although there are slight differences in the manner in which the Web Interface and Text Interface Network are organized, both interfaces provide access to essentially the same set of network parameters (with a few noted exceptions.)

Given that the network configuration menus must allow definition of network parameters for two different IP protocols and up to three different network ports, parameters have been divided into six different submenus, with each menu serving a specific combination of Network Port and IP protocol. These six menus are accessed via the Network Selection menu.

To access the Network Section menu, proceed as follows:

- **Text Interface:**
Type `/N*` and then press **[Enter]** to display the Network Selection menu, shown in Figure 7.3 below. At the Network Selection menu, key in the number for the desired port/protocol and then press **[Enter]**.
- **Web Browser Interface:** Click on the Network Configuration link on the left hand side of the screen to display the Network Selection menu, shown in Figure 7.4 below. When the Network Selection menu appears, click on the desired port/protocol combination. Alternately, the Network Configuration link's flyout menus can also be used to select the desired port/protocol.

```

NETWORK SELECTION:

Common parameters shared between the network interfaces
are listed under the eth0 SHARED Parameters menu.
Network Parameters specific to an interface will be
listed under the individual interface options:

SHARED PARAMETERS:
1. eth0

IPV4:
2. eth1
3. cell

IPV6:
4. eth0
5. eth1
6. cell

Enter: #<CR> to change,
      <ESC> to exit ...
    
```

Figure 7.3: Network Selection Menu (Text Interface)

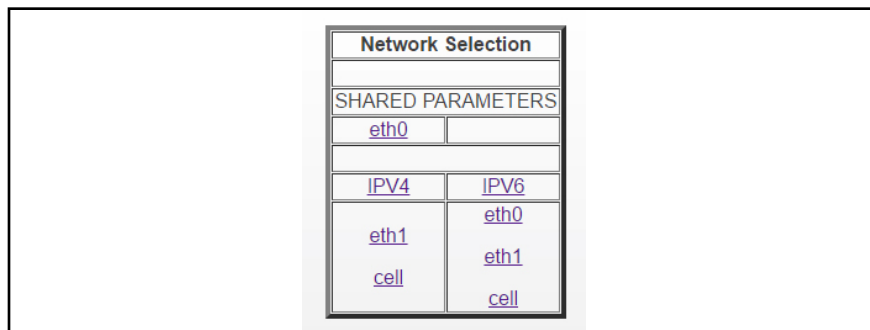


Figure 7.4: Network Selection Menu (Web Interface)

The Network Selection menu offers access to six Network Configuration submenus:

- **Port Eth0, IPv4 Protocol** (Plus Shared Parameters)
- **Port Eth1, IPv4 Protocol** (Only present on units that include the Dual Ethernet Option.)
- **Cell Port, IPv4 Protocol** (Only present on units that include the Cellular Modem Option.)
- **Port Eth0, IPv6 Protocol**
- **Port Eth1, IPv6 Protocol** (Only present on units that include the Dual Ethernet Option.)
- **Cell Port, IPv6 Protocol** (Only present on units that include the Cellular Modem Option. For a description of Cell Modem configuration options, please refer to Section 7.8.1.1.)

Note that the DSM/CPM's Network Configuration Menus are used to define both parameters that are shared by all DSM/CPM ports/protocols, plus parameters that are specific to only one port or protocol. Since the majority of these shared parameters are concentrated in the Eth0/IPv4 submenu, it is recommended that when defining network parameters, to first define the parameters found in the Shared (Eth0, IPv4,) submenu, and then proceed to the appropriate submenu to define the remaining parameters.

Note: *Each of the submenus accessed via the Network Configuration menus include a header which indicates if the parameters defined within that menu are shared across all DSM/CPM Network Ports and IP Protocols, shared only across Network Ports or shared only across IP Protocols.*

7.8.1. Network Parameters

Note: *The settings for the following parameters defined via the Network Parameters menu (Web Interface) and Network Parameters menu (Text Interface) will also be applied to the USB Mini format SetUp Port: Administrator Mode, Logoff Character, Sequence Disconnect, Inactivity Timeout, Command Echo and Accept Break.*

- **IP Address:** The IP Address for the primary Ethernet Port, Eth0. (Defaults: IPv4 = 192.168.168.168; IPv6= undefined)

Notes:

- *If needed, a separate IP Address can be defined for each Ethernet Port and both IPv4 and IPv6 format IP addresses can be defined for each port.*
 - *The IP Address cannot be changed via the Web Browser Interface. In order to change the IP address, you must access the DSM/CPM via the Text Interface.*
- **Subnet Mask:** (IPv4 Only; Default = 255.255.255.0)

Notes:

- *If needed, a separate Subnet Mask can be defined for each Ethernet Port.*
 - *The Subnet Mask cannot be changed via the Web Browser Interface. In order to change the Subnet Mask, you must access the DSM/CPM via the Text Interface.*
- **Subnet Prefix:** (IPv6 Only; Default = undefined)

Note: *If needed, a separate Subnet Prefix can be defined for each Ethernet Port.*

- **Gateway Address:** (Default = undefined)

Notes

- *If needed, a separate Gateway Address can be defined for each Ethernet Port and each IP protocol.*
- *The Gateway Address cannot be changed via the Web Browser Interface. In order to change the Gateway Address, you must access the DSM/CPM via the Text Interface.*

- **DHCP:** Enables/Disables Dynamic Host Configuration Protocol. When enabled, the DSM/CPM will perform a DHCP request. Note that in the Text Interface, the MAC address is listed on the Network Status Screen. (Default = Off)

Notes:

- *If needed, a separate DHCP configuration can be defined for each Ethernet Port and the Cell Port and both IPv4 and IPv6 format IP addresses can be defined for each port.*
- *Prior to configuring this feature, make certain your DHCP server is set up to assign a known, fixed IP address. You will need this new IP address in order to reestablish a network connection with the DSM/CPM.*
- *DHCP status cannot be changed via the Web Browser Interface. In order to change DHCP status, you must access the DSM/CPM via the Text Interface.*
- **IP Tables:** This parameter can be used to restrict network access to the DSM/CPM command mode as described in Section 7.8.1.2. (Default = Off)
- **Static Route:** Provides access to a submenu that is used to enable and define Static Route functions as described in Section 7.8.2. (Default = Off)
- **DNS Services:** Provides access to a submenu that is used to define DNS Services and DDNS Services as described in Section 7.8.3. (Default = undefined)
- **Negotiation:** This parameter can be used to solve synchronization problems when the DSM/CPM unit negotiates communication parameters with another device. (Default = Auto)

Notes:

- *If the other device is set for automatic negotiation, then the DSM/CPM's Negotiation parameter should also be set to Auto.*
- *If the other device is not set for automatic negotiation, then the DSM/CPM's Negotiation parameter should be set to match the other device (e.g., "100/Full.)*
- **Fallback (Units with Dual Ethernet Ports Only):** Enables/disables Ethernet fallback capabilities. When enabled, DSM/CPM units that include the optional secondary Ethernet Port will automatically switch to the other Ethernet port whenever the unit detects that a network connection cannot be established via the Ethernet port that is currently in use. Note that when the Fallback feature is enabled, the same IP Address will be assigned to both Ethernet Port 0 and Ethernet Port 1. (Default = Off)

Notes:

- *When Fallback is enabled, identical MAC addresses will be assigned to each DSM/CPM Ethernet Port. When Fallback is enabled, the two DSM/CPM Ethernet Ports will be bonded, and will share the common parameters of Ethernet Port 0.*
- *After the Fallback feature causes the DSM/CPM to switch to the other Ethernet port, the DSM/CPM will not return to the initial Ethernet port after that connection is restored. For example, if a network outage at Ethernet Port 0 causes the unit to switch to Ethernet Port 1, the unit will not automatically switch back to Ethernet Port 0 after the network connection is restored.*

- **Administrator Mode:** Permits/denies port access to accounts that allow Administrator level commands. When enabled (Permit), the port will be allowed to invoke Administrator level commands, providing they are issued by an account that permits them. If disabled (Deny), then accounts that permit Administrator level commands will not be allowed to access command mode via this port. (Default = Permit)

Note: *The setting for the Administrator Mode parameter will also be applied to the USB Mini format SetUp Port.*

- **Logoff Character:** Defines the Logoff Character for the network port. This determines which command(s) must be issued at this port in order to disconnect from a second port. (Default = ^x ([Ctrl] plus [X]))

Notes:

- *The Sequence Disconnect parameter can be used to pick a one character or a three character logoff sequence.*
- *The setting for the Logoff Character parameter will also be applied to the USB Mini format SetUp Port.*
- **Sequence Disconnect:** Enables/Disables and configures the Resident Disconnect command. Offers the option to either disable the Sequence Disconnect, or select a one character, or three character command format. (Default = One Character).

Notes:

- *The One Character Disconnect is intended for situations where the destination port should **not** receive the disconnect command. When the Three Character format is selected, the disconnect sequence **will** pass through to the destination port prior to breaking the connection.*
- *When Three Character format is selected, the Resident Disconnect uses the format "[Enter]LLL[Enter]", where L is the selected Logoff Character.*
- *The setting for the Sequence Disconnect parameter will also be applied to the USB Mini format SetUp Port.*
- **Inactivity Timeout:** Enables and selects the Inactivity Timeout period for the Network Port. If enabled, and the port does not receive or transmit data for the specified time period, the port will disconnect. (Default = 5 Minutes)
- **Note:** *The setting for the Inactivity Timeout parameter will also be applied to the USB Mini format SetUp Port.*
- **Command Echo:** Enables or Disables the command echo for the Network Port. (Default = On).
- **Note:** *The setting for the Command Echo parameter will also be applied to the USB Mini format SetUp Port.*

- **Accept Break:** Determines how the port will handle breaks received from the attached device. When disabled, all break codes are ignored and passed through untouched to the serial port. When enabled, ASCII 28 and/or IETF/RFC4335 SSH break sequences are stripped and a 'break' sequence is initiated on the connected serial port. (Default = On <ASCII 28>)

Note: *The setting for the Accept Break parameter will also be applied to the USB Mini format SetUp Port.*

- **Telnet Access:** Enables/disables Telnet access. When Telnet Access is "Off," users will not be allowed to establish a Telnet connection to the unit or initiate outbound Telnet connections. (Default = On)

Note: *In the Text Interface, the Telnet Access submenu also allows you to select the Telnet Port and set the Max Per Source value. In the Web Browser Interface, these parameters are set via the Shared Network Parameters menu.*

- **Telnet Port:** Selects the TCP/IP port number that will be used for Telnet connections. (Default = 23)

Note: *In the Text Interface, the Telnet Port number is defined via a submenu, which is displayed when the Telnet Access parameter is selected. In the Web Browser Interface, the Telnet Port parameter is set via the Shared Network Parameters menu.*

- **Max. Per Source:** The maximum number of sessions that will be allowed per user MAC address. (Default = 4)

Notes:

- *In the Text Interface, the Max Per Source parameter is defined via a submenu, which is displayed when the Telnet Access parameter is selected. In the Web Browser Interface, the Max Per Source parameter is set via the Shared Network Parameters menu.*
- *After changing the "Max Per Source" parameter, you must log out of all pre-existing sessions in order for the new maximum value to be applied.*

- **SSH Access:** Enables/disables SSH communication. (Default = On)

Note: *In the Text Interface, the SSH Access submenu also allows you to select the SSH Port and other parameters. In the Web Browser Interface, some of these parameters are set via the Shared Network Parameters menu.*

- **SSH Port:** The TCP/IP port number used for SSH connections. (Default = 22)

Note: *In the Text Interface, the SSH Port is defined via a submenu, which is displayed when the SSH Access parameter is selected. In the Web Browser Interface, the SSH Port parameter is set via the Shared Network Parameters menu.*

- **SSH Security Level:** (Text Interface Only) Sets the SSH Security Level to either Normal or High. (Default = Normal.)

Notes:

- *In the Text Interface, the SSH Security Level is defined via a submenu, which is displayed when the SSH Access parameter is selected.*
 - *The SSH Security Level parameter is not available via the Web Browser Interface.*
- **SSH View Port Enable:** (Text Interface Only) Allows monitoring of Serial Port activity. (Default = Off)

Notes:

- *In the Text Interface, the SSH View Port Enable parameter is defined via a submenu, which is displayed when the SSH Access parameter is selected.*
 - *The SSH View Port Enable parameter is not available via the Web Browser Interface.*
- **SSH View Port Bidirection:** (Text Interface Only) Allows monitoring of bidirectional Serial Port Activity. (Default = Off)

Notes:

- *In the Text Interface, the SSH View Port Bidirection parameter is defined via a submenu, which is displayed when the SSH Access parameter is selected.*
- *The SSH View Port Bidirection parameter is not available via the Web Browser Interface.*

- **Web Access (HTTP Access):** Enables/disables the Web Browser Interface. When disabled, users will not be allowed communicate with the unit via the Web Browser Interface. (Default = Off)

Notes:

- *In the Text Interface, additional Web Access configuration parameters are accessed via a submenu which is displayed when the Web Access parameter is selected.*
- *In the Web Browser Interface, Web Access parameters are accessed via the Web Access menu.*
- *When the Web Access parameter is accessed via the Text Interface, the resulting submenu will also allow you to select SSL/TLS (encryption) parameters as described in Section 15.*

- **HTTP Port:** Selects the TCP/IP port number used for HTTP connections. (Default = 80)

Notes:

- *In the Text Interface, the HTTP Port parameter is access via a submenu, which is displayed when the Web Access Parameter is selected.*
- *In the Web Browser Interface, the HTTP Port parameter is accessed via the Web Access menu.*

- **HTTPS Access:** Enables/disables HTTPS communication. For instructions on setting up SSL/TSL encryption, please refer to Section 15. (Default = Off)

Notes:

- *In the Text Interface, the HTTPS Access parameter is access via a submenu, which is displayed when the Web Access Parameter is selected.*
 - *In the Web Browser Interface, the HTTPS Access parameter is accessed via the Web Access menu.*
- **HTTPS Port:** Selects the TCP/IP port number that will be used for HTTPS connections. (Default = 443)

Notes:

- *In the Text Interface, the HTTPS Port parameter is access via a submenu, which is displayed when the Web Access Parameter is selected.*
- *In the Web Browser Interface, the HTTPS Port parameter is accessed via the Web Access menu.*

- **Harden Web Security:** Offers three different Web Security settings as described below:

- ◆ **Off:** All SSL protocols are enabled. (Allows compatibility with older browsers.)
- ◆ **Medium:** Only SSLv3/TLS1.x Protocols and MEDIUM/HIGH ciphers are enabled. (Default)
- ◆ **High:** Only TLS1.x Protocol and HIGH ciphers enabled.

Notes:

- *In the Text Interface, the Harden Web Security parameter is access via a submenu, which is displayed when the Web Access Parameter is selected.*
 - *In the Web Browser Interface, the Harden Web Security parameter is accessed via the Web Access menu.*
- **TLS Mode:** Selects the TLS version that will be used. This parameter can select either TLSv1 only, both TLSv1.1 and TLSv1.2 or TSLv1.2 Only. For more information, please refer to Section 15.4. (Default = TLSv1.1/TLSv1.2)

Notes:

- *In the Text Interface, the TLS Mode parameter is access via a submenu, which is displayed when the Web Access Parameter is selected.*
- *In the Web Browser Interface, the TLS Mode parameter is accessed via the Web Access menu.*

- **Trace Method:** Enables/disables the Web Trace Method. (Default = Off)

Notes:

- *In the Text Interface, the Trace Method parameter is accessed via a submenu, which is displayed when the Web Access Parameter is selected.*
- *In the Web Browser Interface, the Trace Method parameter is accessed via the Web Access menu.*

- **SYSLOG Addresses:** Defines the IP addresses for the Syslog Daemon(s) that will receive log records generated by the DSM/CPM. Allows definition of IP addresses for both a primary Syslog Daemon and an optional secondary Syslog Daemon. SYSLOG Addresses can be entered in either IPv4 or IPv6 format, or in domain name format (up to 64 characters.) For more information, please refer to Section 12. (Default = undefined)

Notes:

- *The Syslog Address submenu in the Text Interface and the Web Browser Interface both include a Ping Test function that can be used to ping the user-selected Syslog IP Addresses in order to verify that valid IP addresses have been entered. In order for the Ping Test feature to function, your network and/or firewall must be configured to allow ping commands.*
- *In addition to the Ping Test feature, the /TEST command in the Text Interface or the "Test" option in the Web Browser Interface can also be used to ping the currently defined Syslog Addresses in order to make certain that the IP addresses are responding.*
- **SNMP Access:** Displays a submenu which is used to define SNMP Access parameters as described in Section 7.8.4.

Notes:

- *In the Text Interface, the SNMP Access parameters are accessed via a submenu, which is displayed when SNMP Access is selected.*
- *In the Web Browser Interface, SNMP Access parameters are accessed via the SNMP Parameters menu.*
- **SNMP Trap Parameters:** Displays a submenu which is used to define SNMP Trap parameters as described in Section 7.8.5.

Notes:

- *In the Text Interface, the SNMP Trap Parameters are accessed via a submenu, which is displayed when SNMP Traps parameter is selected.*
- *In the Web Browser Interface, the SNMP Traps Parameters are accessed via the SNMP Traps menu.*

- **LDAP:** Displays a submenu which is used to define LDAP parameters as described in Section 7.8.6.

Notes:

- *In the Text Interface, the LDAP Parameters are accessed via a submenu, which is displayed when LDAP option is selected.*
- *In the Web Browser Interface, LDAP parameters are accessed via the LDAP link in the Shared (Eth0) parameters menu.*

- **TACACS:** Displays a submenu which is used to define TACACS parameters as described in Section 7.8.7.
- **RADIUS:** Displays a submenu which is used to define RADIUS parameters as described in Section 7.8.8.
- **Ping Access:** Configures the DSM/CPM's response to ping commands. Ping Access can be set to block all ping commands, allow all ping commands or only accept ping commands from user specified IP addresses (Limited.) When the "Limited" option is selected, up to four permitted IP address can be defined via the submenu. Note that disabling Ping Access at the Network Port will not effect the operation of the Ping-No-Access Alarm. (Default = Allow All)
- **Multiple Logins:** (Text Interface Only) If the DSM/CPM is installed in an environment that *does not* include communication via an open network (local communication only), then the Multiple Logins parameter can be used to determine whether or not multiple users will be able to communicate with the unit at the same time. If this parameter is set to "Off" then only one user will be allowed to communicate with the unit at a time. (Default = On)
- **Email Messaging:** Displays a submenu which is used to define Email Messaging parameters as described in Section 7.8.9.
- **Outbound Access:** Enables/Disables the ability to create outbound SSH/Telnet connections via the DSM/CPM's Network Port. When enabled, users who are connected to the DSM/CPM command mode via one of the serial ports will be able to connect to the Network Port, and then invoke the /TELNET and/or /SSH commands to create an outbound connection. For example, to create an outbound Telnet connection, first make certain that this option is enabled for both the serial port and the password/account, then access command mode via the Text Interface at a free serial port. At the command prompt, invoke the /TELNET command as described in Section 11.5. (Default = Off)
- **Outbound Secure Level:** When Outbound Access is enabled, this parameter is used to determine whether outbound connections will be allowed to be established via both the Serial Port and Network Port, or via the Serial Port only. (Default = Serial Only.)
Note: *In the Text Interface, the Outbound Secure Level prompt can be found in the Outbound Access submenu.*
- **Raw Socket Access:** Enables/Disables Raw Socket Protocol access to the Network Port via Direct Connect and selects either port 3001 or 23 for Raw Socket Access. (Default = Off)

7.8.1.1. Cell Modem Configuration Parameters

When the Cellular Modem Option is present, the Cell Modem Parameters menu can be used to select configuration parameters to set up cellular communication for your DSM/CPM unit. There are several different ways to access the Cell Modem Parameters menu:

- **Text Interface (CLI):** The Cell Modem Parameters menu can be activated either by typing `/p modem` and pressing **[Enter]** or by invoking the `/n*` command as described in Section 7.8.

Note: *In the Text Interface, the `/cell` command can be invoked to display the Cell Modem Statistics screen, which can be used to define two additional cellular modem related parameters; the Access Point Name (APN) and the Public IP Address.*

- **Web Browser Interface:** The Cell Modem Parameters menu can be activated via the Network Configuration link, as described in Section 7.8.

Note: *In the Text Interface, the `/cell` command can be used to access the Cell Modem Statistics screen. The Cell Modem Statistics screen can be used to define two additional cellular modem related parameters; the Access Point Name (APN) and the Public IP Address.*

The Cell Modem Parameters menu offers the following configuration options:

- **Default Gateway:** Enables/Disables the Default Gateway. (Default = Off)
- **DHCP:** Enables/Disables Dynamic Host Configuration Protocol. When enabled, the DSM/CPM will perform a DHCP request when communicating via cellular. Note that in the Text Interface, the MAC address is listed on the Network Status Screen. (Default = Off)

Notes:

- *Prior to configuring this feature, make certain your DHCP server is set up to assign a known, fixed IP address. You will need this new IP address in order to reestablish a network connection with the DSM/CPM.*
- *DHCP status cannot be changed via the Web Browser Interface. In order to change DHCP status, you must access the DSM/CPM via the Text Interface.*
- **Static Route:** Provides access to a submenu that is used to enable and define Static Route functions as described in Section 7.8.2. (Default = Off)
- **DDNS Services:** Provides access to a submenu that is used to define DNS Services and DDNS Services as described in Section 7.8.3.2. (Default = undefined)
- **Modem PPP Parameters:** Displays current Modem PPP Parameters. Modem PPP Parameters for the Cellular Modem port are not defined by the user. Instead, they are determined by the network connection.

- **Web Access:** Enables/disables the Web Browser Interface. When disabled, users will not be allowed to communicate with the unit via the Web Browser Interface. (Default = Off)

Notes:

- *In the Text Interface, additional Web Access configuration parameters are accessed via a submenu which is displayed when the Web Access parameter is selected.*
 - *In the Web Browser Interface, Web Access parameters are accessed via the Web Access menu.*
 - *When the Web Access parameter is accessed via the Text Interface, the resulting submenu will also allow you to select SSL/TLS (encryption) parameters as described in Section 15.*
- **SNMP Access:** Displays a submenu which is used to define SNMP Access parameters as described in Section 7.8.6.
 - **PING Access:** Configures the DSM/CPM's response to ping commands at the cellular modem port. Ping Access can be set to block all ping commands, allow all ping commands or only accept ping commands from user specified IP addresses (Limited.) When the "Limited" option is selected, up to four permitted IP address can be defined via the submenu. Note that disabling Ping Access at the Network Port will not effect the operation of the Ping-No-Access Alarm. (Default = Allow All)

7.8.1.2. IP Tables

The IP Tables allow the DSM/CPM to restrict unauthorized IPv4 or IPv6 format IP addresses from establishing inbound connections to the unit. If you wish to restrict access to the DSM/CPM unit, you can employ the IP Tables menu to define a firewall which determines which IP addresses will be allowed to access the DSM/CPM command mode and which IP addresses will be denied. To define the firewall, proceed as follows:

1. Use the Text Interface or Web Browser interface to access the IP Tables menu as described in Section 7.8.
2. When the IP Tables menu is displayed, use Linux syntax to determine which IP address(es) will be allowed access and which IP address(es) will be denied. In most cases, the IP Tables should allow access to administrators and deny access to everybody else.

7.8.2. Static Route

The Static Route menu allows you to define Linux routing commands that will be automatically executed each time that a user accesses command mode via the corresponding Network Port or optional Cellular Modem Port.

7.8.3. DNS Services

The DNS option is used to define DNS and DDNS parameters. In the Shared/Eth0 menu, the DNS option is used to access either the DNS Parameters menu or the DDNS parameters menu.

7.8.3.1. DNS Parameters

The DNS Parameters menu is used to select IPv4 or IPv6 format IP addresses for Domain Name Servers. When web and network addresses are entered, the Domain Name Server interprets domain names (e.g., www.wti.com), and translates them into IP addresses. Note that if you don't define at least one DNS server, then IP addresses must be used, rather than domain names. Note that parameters defined via this menu will be applied to both IPv4 and IPv6 communication.

The Domain Name Server menu includes a Ping Test feature that allows you to ping the IP addresses for each user-defined domain name server in order to check that a valid IP address has been entered.

Note: *In order for the Ping Test feature to function, your network and/or firewall must be configured to allow ping commands.*

7.8.3.2. DDNS Parameters

The DDNS Parameters menu is used to select parameters and define hosts for Dynamic DNS services. The DDNS Parameters menu includes the following parameters::

- **Services:** This item is used to set the service type to either Dyn or None. (Default = None)
- **Host Name:** The IP Address for the DDNS Service. (Default = undefined)
- **Username:** (Default = undefined)
- **Password:** (Default = undefined)
- **Maximum Update Times:** Determines how often the DSM/CPM will ping the DDNS host address. (Default = Every 1 Hour)

7.8.4. SNMP Access Parameters

These menus are used to select access parameters for the SNMP feature. In the Text Interface, the SNMP Access Parameters menu is accessed via the Network Configuration menu. In the Web Browser Interface, the SNMP Access Parameters menu is accessed via the flyout menus under the Network Configuration link.

Notes:

- *After you have configured SNMP Access Parameters, you will then be able to manage the DSM/CPM's User Directory, control power and reboot switching and display unit status via SNMP, as described in Section 13.*
- *In the Text Interface, SNMP Access Parameters are defined via two separate menus that are accessed via either the `/N` command (IPv4) or the `/N6` command (IPv6.)*
- *In the Web Browser interface, both IPv4 and IPv6 SNMP Access Parameters are defined via a single menu. When defining IPv6 parameters, make certain that the IPv6 checkbox in the SNMP Access Parameters menu is checked.*

The SNMP Access Parameters menu allows the following parameters to be defined:

- **Enable:** Enables/disables SNMP Polling. (Default = Off)

Note: *This item only applies to external SNMP polling of the DSM/CPM; it does not effect the ability of the DSM/CPM to send SNMP traps.*

- **Version:** This parameter determines which SNMP Version the DSM/CPM will respond to. For example, if this item is set to V3, then clients who attempt to contact the DSM/CPM using SNMPv2 will not be allowed to connect. (Default = V1/V2 Only)
- **Read Only:** Enables/Disables the "Read Only Mode", which controls the ability to access configuration functions and invoke switching commands. When Enabled, you will not be able to change configuration parameters or invoke other commands when you contact the DSM/CPM via SNMP. (Default = No)

Note: *In order to define user names for the DSM/CPM via your SNMP client, the Read Only feature must be disabled. When the Read Only feature is enabled, you will not be able to issue configuration commands to the unit via SNMP.*

- **Authentication / Privacy:** Configures the Authentication and Privacy features for SNMPv3 communication. The Authentication / Privacy parameter offers two options, which function as follows:
 1. **Auth/noPriv:** An SNMPv3 username and password will be required at log in, but encryption will not be used. (Default Setting)
 2. **Auth/Priv:** An SNMPv3 username and password will be required at log in, and all messages will be sent using encryption.

Notes:

- *The Authentication / Privacy item is not available when the Version parameter is set to V1/V2.*
- *If the Version Parameter is set to V1/V2/V3 (all) and Authentication / Privacy parameter is set to "Auth/Priv", then only V3 data will be encrypted.*
- *The DSM/CPM supports DES encryption, but does not currently support the AES protocol.*
- *The DSM/CPM does not support "noAuth/noPriv" for SNMPv3 communication.*
- **SNMPv3 User Name:** Sets the User Name for SNMPv3. Note that this option is not available when the Version parameter is set to V1/V2. (Default = undefined)
- **SNMPv3 Password:** Sets the password for SNMPv3. Note that this option is not available when the Version parameter is set to V1/V2. (Default = undefined)
- **SNMPv3 Password Confirm:** This prompt is used to confirm the SNMPv3 password that was entered at the prompt above. Note that this option is not available when the Version parameter is set to V1/V2. (Default = undefined)
- **Authentication Protocol:** This parameter determines which authentication protocol will be used. The DSM/CPM supports both MD5 and SHA1 authentication. (Default = MD5)

Notes:

- *The Authentication Protocol that is selected for the DSM/CPM must match the protocol that your SNMP client will use when querying the DSM/CPM unit.*
- *The Authentication Protocol option is not available when the Version parameter is set to V1/V2*
- **Privacy Protocol:** (SNMPv3 Only) Selects AES or DES encryption support. (Default = DES)
- **System Name:** (Default = undefined)
- **SNMP Contact:** (Default = undefined)
- **SNMP Location:** (Default = undefined)
- **Read Only Community:** Note that this parameter is not available when the SNMP Version is set to V3. (Default = Public)
- **Read/Write Community:** Note that this parameter is not available when the SNMP Version is set to V3. (Default = Public)

7.8.5. SNMP Trap Parameters

These menus are used to select parameters that will be used when SNMP traps are sent. For more information on SNMP Traps, please refer to Section 13. The SNMP Trap Parameters menu allows the following parameters to be defined:

- **SNMP Managers 1 through 4:** The IP Addresses for the SNMP Managers. For more information, please refer to Section 13. (Default = Undefined)
Note: *In order to enable the SNMP Trap feature, you must define at least one SNMP Manager.*
- **SNMP Manager 2:** (Default = undefined)
- **Trap Community:** (Default = Public)
- **Trap Version:** The assigned security level for SNMP traps. (Default = V1)
- **V3 Trap Engine ID:** The V3 SNMP agent's unique identifier. (Default = undefined)
- **Ping Test:** Allows you to ping the IP addresses or domain names defined via the SNMP Manager 1 and SNMP Manager 2 prompts in order to check that a valid IP address or domain name has been entered.

Notes:

- *In order for the Ping Test feature to function, your network and/or firewall must be configured to allow ping commands.*
- *In addition to the Ping Test feature, the /TEST command in the Text Interface or the "Test" option in the Web Browser Interface can also be used to ping the currently defined SNMP Managers in order to make certain that the IP addresses are responding.*

7.8.6. LDAP Parameters

The DSM/CPM supports LDAP (Lightweight Directory Access Protocol,) which allows authentication via the Active Directory network Directory Service. When LDAP is enabled, command access rights can be granted to new users without the need to define individual new accounts at each DSM/CPM unit, and existing users can also be removed without the need to delete the account from each DSM/CPM unit. This also allows administrators to assign users to LDAP groups, and then specify which plugs the members of each group will be allowed to control at each DSM/CPM unit.

In order to apply the LDAP feature, you must first define User Names and associated Passwords and group membership via your LDAP server, and then access the DSM/CPM command mode to configure LDAP settings and define port access rights and command access rights for each group specified at the LDAP server. To access the LDAP Parameters menu, login to DSM/CPM command mode using a password that permits Administrator level commands.

Notes:

- *Port and Plug access rights are not defined at the LDAP server. They are defined via the LDAP Group configuration menu on each DSM/CPM unit and are specific to that DSM/CPM unit alone.*
- *When LDAP is enabled, LDAP authentication will supersede any passwords and access rights that have been defined via the DSM/CPM user directory.*
- *If no LDAP groups are defined on a given DSM/CPM unit, then access rights will be determined as specified by the "default" LDAP group.*
- *The "default" LDAP group cannot be deleted.*

The LDAP Parameters Menu allows the following parameters to be defined:

- **Enable:** Enables/disables LDAP authentication. (Default = Off)
- **Primary Host IPv4:** Defines the IP address or domain name for the primary LDAP server when IPv4 protocol is used to communicate with the DSM/CPM unit. (Default = undefined)
- **Primary Host IPv6:** Defines the IP address or domain name for the primary LDAP server when IPv6 protocol is used to communicate with the DSM/CPM unit. (Default = undefined)
- **Secondary Host IPv4:** Defines the IP address or domain name for the secondary (fallback) LDAP server when IPv4 protocol is used. (Default = undefined)
- **Secondary Host IPv6:** Defines the IP address or domain name for the secondary (fallback) LDAP server when IPv6 protocol is used. (Default = undefined)
- **LDAP Port:** Defines the port that will be used to communicate with the LDAP server. (Default = 389)
- **TLS/SSL:** Enables/Disables TLS/SSL encryption. Note that when TLS/SSL encryption is enabled, the LDAP Port should be set to 636. (Default = Off)
- **Bind Type:** Sets the LDAP bind request password type. Note that in the Text Interface, when the Bind Type is set to "Kerberos" LDAP, the menu will include additional prompts used to select Kerberos parameters. (Default = Simple)

- **Search Bind DN:** Selects the user name who is allowed to search the LDAP directory. (Default = undefined)
- **Search Bind Password:** Sets the Password for the user who is allowed to search the LDAP directory. (Default = undefined)
- **User Search Base DN:** Sets the directory location for user searches. (Default = undefined)
- **User Search Filter:** Selects the attribute that lists the user name. Note that this attribute should always end with "=%s" (no quotes.) (Default = undefined)
- **Group Membership Attribute:** Selects the attribute that list group membership(s). (Default = undefined)
- **Group Membership Value Type:** (Default = DN)
- **Fallback:** Enables/Disables the LDAP fallback feature. When enabled, the DSM/CPM will revert to its own internal user directory if no defined users are found via the LDAP server. In this case, port access rights will then be granted as specified in the default LDAP group. (Default = Off)
- **Kerberos Setup:** Kerberos is a network authentication protocol, which provides a secure means of identity verification for users who are communicating via a non-secure network. In the Text Interface, Kerberos parameters are selected via a submenu that is only available when Kerberos is selected as Bind Type. In the Web Browser Interface, Kerberos parameters are defined via the main LDAP Parameters menu. The following parameters are available:
 - ◆ **Port:** (Default = 88)
 - ◆ **Realm:** (Default = Undefined)
 - ◆ **Key Distribution Centers (KDC1 through KDC5):** (Default = Undefined)
 - ◆ **Domain Realms 1 through 5:** (Default = Undefined)
- **LDAP Group Setup:** Provides access to a submenu, which is used to define LDAP Groups as described in the Sections 7.8.6.1 through 7.8.6.4.
- **Debug:** This option is used to assist WTI Technical Support personnel with the diagnosis of LDAP issues. (Default = Off)
- **Ping Test:** Allows you to ping IP addresses or domain names that have been defined via the LDAP Parameters menus in order to check that a valid IP address or domain name has been entered.

Notes:

- *In order for the Ping Test feature to function, your network and/or firewall must be configured to allow ping commands.*
- *In addition to the Ping Test feature, the /TEST command in the Text Interface or the "Test" option in the Web Browser Interface can also be used to ping any user defined IP address in order to make certain that the IP address is responding.*

7.8.6.1. Adding LDAP Groups

Once you have defined several users and passwords via your LDAP server, and assigned those users to LDAP Groups, you must then grant command and port access rights to each LDAP Group at each individual DSM/CPM unit.

To add LDAP groups to your DSM/CPM unit, log in to the command mode using a password that permits access to Administrator level commands. The Add LDAP Group menu allows the following parameters to be defined:

- **Group Name:** Note that this name must match the LDAP Group names that you have assigned to users at your LDAP server. (Default = undefined)
- **Access Level:** Sets the command access level to either Administrator, SuperUser, User or ViewOnly. For more information, please refer to Section 7.3.1. (Default = User)
- **Port Access:** This item is used to select the serial ports that members of this LDAP group will be allowed to connect. (Default = undefined)

Note: *When configuring a DSM/CPM unit that includes an internal dial-up modem, the Port Access parameter is also used to grant or deny user access to the internal modem port. On 8-port DSM/CPM units, port 9 is the internal modem port; on 24-port DSM units, port 25 is the internal modem port; on 40-port DSM units, port 41 is the internal modem port. The internal modem is not included on DSM/CPM model numbers that end with the "NMI" or "NM" suffix.*

- **Plug Access:** (CPM Series Units Only) This item is used to determine which plugs members of this group will be allowed to control. (Default = undefined)

Note: *Power Control functions are only available on CPM Series units. The Plug Access parameter and Plug Group Access parameter are not available on DSM Series units.*

- **Plug Group Access:** (CPM Series Units Only) This item is used to determine which plug groups the members of this LDAP Group will be allowed to control. (Default = undefined)
- **Service Access:** Selects access methods for this LDAP Group. Determines whether members of this LDAP Group will be allowed to access command mode via Serial Port, Telnet/SSH, Web and/or to establish outbound connections. Also enables/disables Outbound Telnet. (Default; Serial Port = On, Telnet/SSH = On, Outbound Access = Off.)
- **Current/Power Metering:** (CPM-C Series Units Only) This parameter is used to enable/disable the LDAP Group's access to current and power metering functions. (Default = Off.)

Note: *After defining LDAP Group parameters, make certain to save changes before proceeding. In the Web Browser Interface, click on the "Add LDAP Group" button to save parameters; in the Text Interface, press the [Esc] key several times until the DSM/CPM displays the "Saving Configuration" message.*

7.8.6.2 Viewing LDAP Groups

If you want to examine an existing LDAP group definition, the "View LDAP Groups" function can be used to review the group's parameters.

7.8.6.3. Modifying LDAP Groups

If you want to modify an existing LDAP Group in order to change parameters, the "Modify LDAP Group" function can be used to reconfigure group parameters. To modify an existing LDAP Group, access the DSM/CPM command mode using a password that permits access to Administrator Level commands. Once you have accessed the Modify LDAP Group menu, use the menu options to redefine parameters in the same manner that is used for the Add LDAP Group menu, as discussed in Section 7.8.6.1.

Note: *After you have finished modifying LDAP Group parameters, make certain to save the changes before proceeding. In the Web Browser Interface, click on the "Modify LDAP Group" button to save parameters; in the Text Interface, press the [Esc] key several times until the DSM/CPM displays the "Saving Configuration" message and the cursor returns to the command prompt.*

7.8.6.4. Deleting LDAP Groups

The Delete LDAP Group function is used to delete LDAP Groups that are no longer in use. In order to delete LDAP Groups, you must access the DSM/CPM command mode using a password that permits access to Administrator Level commands.

7.8.7. TACACS Parameters

The TACACS Configuration Menus offer the following options:

- **Enable:** Enables/disables the TACACS feature at the Network Port. (Default = Off)
- **Primary Address:** The IP address or domain name for your primary TACACS server. (Default = undefined)
- **Secondary Address:** The IP address or domain name for your secondary, fallback TACACS server. (Default = undefined)
- **Secret Word:** The shared TACACS Secret Word for both TACACS servers. (Default = undefined)
- **Fallback Timer:** Determines how long the unit will attempt to contact the primary TACACS Server before falling back to the secondary server. (Default = 15 Seconds)
- **Fallback Local:** Determines whether or not the DSM/CPM will fallback to its own username directory when an authentication attempt fails. When enabled, the unit will first attempt to authenticate the password by checking the TACACS Server. If this fails, the unit will then attempt to authenticate the password by checking its own internal username directory. This parameter offers three options:
 - ◆ **Off:** Fallback Local is disabled (Default)
 - ◆ **On (All Failures):** Fallback Local is enabled, and the unit will fallback to its own internal user directory when it cannot contact the TACACS Server, or when a password or username does not match the TACACS Server.
 - ◆ **On (Transport Failure):** Fallback Local is enabled, but the unit will only fallback to its own internal user directory when it cannot contact the TACACS Server.
- **Authentication Port:** The port number for the TACACS function. (Default = 49)
- **Default User Access:** When enabled, allows TACACS users to access the unit without first defining a TACACS user account on the DSM/CPM. When new TACACS users access the unit, they will inherit the default Access Level, Port Access and Service Access defined via the items listed below: (Default = On)
 - **Enable:** Enables/disables the Default User Access function. (Default = On)
 - **Access Level:** Determines the default Access Level setting for new TACACS users. This option can set the default access level for new TACACS users to "Administrator", "SuperUser", "User" or "ViewOnly." For more information, please refer to Section 7.3.1 and Section 18.2. (Default = User)

- **Port Access:** Determines the default Port Access setting for new TACACS users. The Port Access setting determines which serial ports each account will be allowed to control. (Defaults; Administrator and SuperUser = All Ports On, User = undefined, ViewOnly = undefined)

Notes:

- *Administrator and SuperUser level accounts always have access to all ports.*
- *User level accounts will only have access to ports specified via the "Port Access" parameter.*
- *ViewOnly level can view the connection status of permitted serial ports, but are not allowed to create connections between ports.*

- **Plug Access:** (CPM Series Units Only) Determines the default Plug Access setting for new TACACS users. (Defaults; Administrator and SuperUser = All Plugs On, User = undefined, ViewOnly = undefined)

Notes:

- *Power Control functions are only available on CPM Series units. The Plug Access parameter is not available on DSM Series units.*
- *Administrator and SuperUser level accounts always have access to all plugs.*
- *User level accounts will only have access to the plugs that are defined via the "Plug Access" parameter.*
- *ViewOnly accounts are allowed to view the On/Off status of permitted plugs, but are not allowed to invoke switching and reboot commands.*

- **Plug Group Access:** (CPM Series Units Only) Determines the default Plug Group Access setting for new TACACS users. For more information, please refer to Section 7.5. (Defaults; Administrator and SuperUser = All Plug Groups On, User = undefined, ViewOnly = undefined)

Notes:

- *Power Control functions are only available on CPM Series units. The Plug Group Access parameter is not available on DSM Series units.*
- *In order to use this feature, Plug Groups must first be defined as described in Section 7.5.*
- *Administrator and SuperUser level accounts will always have access to all plug groups.*
- *User Level accounts will only have access to the plug groups that are defined via the Plug Group Access parameter.*
- *ViewOnly accounts are allowed to view the status of permitted Plug Groups but are not allowed to invoke switching and reboot commands.*

- ▶ **Service Access:** Selects the default Service Access setting for new TACACS users. Determines whether each account will be able to access command mode via Serial Port, Telnet/SSH or Web. In addition, the Service Access setting also determines whether each account will be able to employ the Outbound Access function. (Default = Serial Port = On, Telnet/SSH = On, Web = On, Outbound Access = Off.)

Note: *If Outbound Access has been disabled via the Network Parameters menu, then the Service Access parameter will not be allowed to grant Outbound Access to new TACACS users.*
- ▶ **Current/Power Metering:** (CPM-C Series Units Only) Determines whether or not new TACACS users will be allowed to access current metering and power metering functions by default. (Default = Off)
- **Ping Test (Ping TACACS Servers):** Allows you to ping IP addresses or domain names that have been defined via the TACACS Parameters menus in order to check that a valid IP address or domain name has been entered.

Notes:

- *In order for the Ping Test feature to function, your network and/or firewall must be configured to allow ping commands.*
- *In addition to the Ping Test feature, the /TEST command in the Text Interface or the "Test" option in the Web Browser Interface can also be used to ping any user defined IP address in order to make certain that the IP address is responding.*

7.8.8. RADIUS Parameters

In the Text Interface, the RADIUS Parameters menu is accessed via the Network Configuration menu (/N for IPv4 parameters or /N6 for IPv6 parameters.) In the Web Browser Interface, both IPv4 and IPv6 parameters are defined via a single RADIUS Parameters menu, which is accessed via the flyout menus under the Network Configuration link. The RADIUS Configuration Menus offer the following options:

- **Enable:** Enables/disables the RADIUS feature at the Network Port. (Default = Off)
- **Primary Host:** Defines the IP address or domain name for your primary RADIUS server. (Default = undefined)
- **Primary Secret Word:** Defines the RADIUS Secret Word for the primary RADIUS server. (Default = undefined)
- **Secondary Host:** Defines the IP address or domain name for your secondary, fallback RADIUS server. (Default = undefined)
- **Secondary Secret Word:** Defines the RADIUS Secret Word for the secondary RADIUS server. (Default = undefined)
- **Fallback Timer:** Determines how long the DSM/CPM will continue to attempt to contact the primary RADIUS Server before falling back to the secondary RADIUS Server. (Default = 3 Seconds)
- **Fallback Local:** Determines whether or not the DSM/CPM will fallback to its own password/username directory when an authentication attempt fails. When enabled, the DSM/CPM will first attempt to authenticate the password by checking the RADIUS Server; if this fails, the DSM/CPM will then attempt to authenticate the password by checking its own internal username directory. This parameter offers three options:
 - ◆ **Off:** Fallback Local is disabled (Default.)
 - ◆ **On (All Failures):** Fallback Local is enabled, and the unit will fallback to its own internal user directory when it cannot contact the Radius Server, or when a password or username does not match the Radius Server.
 - ◆ **On (Transport Failure):** Fallback Local is enabled, but the unit will only fallback to its own internal user directory when it cannot contact the Radius Server.
- **Retries:** Determines how many times the DSM/CPM will attempt to contact the RADIUS server. Note that the retries parameter applies to both the Primary RADIUS Server and the Secondary RADIUS Server. (Default = 3)
- **Authentication Port:** The Authentication Port number for the RADIUS function. (Default = 1812)

- **Accounting Port:** The Accounting Port number for the RADIUS function. (Default = 1813)
- **Debug:** (Text Interface Only) When enabled, the DSM/CPM will put RADIUS debug information into Syslog. (Default = Off)
- **OneTime Auth:** This feature should be enabled when using Two Factor Authentication with the One Time Password scheme enabled. When enabled, the One Time Password will be valid for the time specified under the OneTime Auth Timer parameter. (Default = Off)
- **OneTime Auth Timer:** When the OneTime Auth parameter is enabled, this parameter determines how long (in minutes) the One Time Password will be valid. (Default = 5 Minutes)
- **Ping Test (Ping RADIUS Servers):** Allows you to ping IP addresses or domain names that have been defined via the RADIUS Parameters menus in order to check that a valid IP address or domain name has been entered.

Notes:

- *In order for the Ping Test feature to function, your network and/or firewall must be configured to allow ping commands.*
- *In addition to the Ping Test feature, the /TEST command in the Text Interface or the "Test" option in the Web Browser Interface can also be used to ping any user defined IP address in order to make certain that the IP address is responding.*

7.8.8.1. Dictionary Support for RADIUS

The RADIUS dictionary file can allow you to define a user and assign command access rights and port access rights from a central location.

The RADIUS dictionary file, "dictionary.wti" can be found under the "downloads" tab on the product information page at wti.com. To install the dictionary file on your RADIUS server, please refer to the documentation provided with your server; some servers will require the dictionary file to reside in a specific directory location, others will require the dictionary file to be appended to an existing RADIUS dictionary file.

The WTI RADIUS dictionary file provides the following commands:

- **WTI-Super** - Sets the command access level for the user. This command provides the following arguments:
 - 0 = ViewOnly
 - 1 = User
 - 2 = SuperUser
 - 3 = Administrator

For example, in order to set command access level to "SuperUser", the command line would be:

WTI-Super="2"

- **WTI-Port-Access** - Determines which port(s) the user will be allowed to access. This command provides an argument that consists of an 8 character string, with one character for each DSM/CPM Serial Port. The following options are available for each port:
 0 = Off (Deny Access)
 1 = On (Allow Access)

For example, to allow access to Serial Ports 1, 2, 3, 5 and 8, the command line would be:

```
WTI-Port-Access="11101001"
```

- **WTI-Plug-Access** - (CPM Series Units Only) Determines which plug(s) the user will be allowed to access. This command provides an argument that consists of a four character string, with one character for each the DSM/CPM's switched outlets. The following options are available for each switched plug:
 0 = Off (Deny Access)
 1 = On (Allow Access)

For example, to allow access to Plugs 2 and 4, the command line would be:

```
WTI-Plug-Access="0101"
```

Note: Power Control functions are only available on CPM Series units. Power Control parameters are not available on DSM Series units.

- **WTI-Group-Access** - (CPM Series Units Only) Determines which plug group(s) the user will be allowed to access. The argument for this command includes a character for each, defined plug group, with the first character in the string being used to represent the first plug group defined, and the last character in the string representing the last plug group defined. The following options are available for each plug group:
 0 = Off (Deny Access)
 1 = On (Allow Access)

For example, to allow access to the first three defined plug groups out of a total of six defined plug groups, the command line would be:

```
WTI-Group-Access="111000"
```

Note: Power Control functions are only available on CPM Series units. Power Control parameters are not available on DSM Series units.

Example:

The following command could be used to set the command access level to "User", allow access to Serial Ports 1, 3, 5 and 7:

```
tom Auth-Type:=Local, User-Password=="tom1"  

  Login-Service=Telnet,  

  Login-TCP-Port=Telnet,  

  User-Name="HARRY-tom",  

  WTI-Super="1",  

  WTI-Port-Access="10101010",
```

7.8.9. Email Messaging Parameters

The Email Messaging menu is used to define parameters for email messages that the DSM/CPM can send to notify you when an alarm is triggered. The Email Configuration menu offers the following options:

- **Enable:** Enables/Disables the Email Messaging feature. When disabled, the DSM/CPM will not be able to send email messages when an alarm is generated. (Default = Off)
- **SMTP Server:** This prompt is used to define the address of your SMTP Email server. (Default = undefined)
- **Port Number:** Selects the TCP/IP port number that will be used for email connections. (Default = 25)
- **Domain:** The domain name for your email server. (Default = undefined)
Note: *In order to use domain names, you must first define Domain Name Server parameters as described in Section 7.8.3.*
- **User Name:** The User Name that will be entered when logging into your email server. (Default = undefined)
- **Password:** The password that will be used when logging into your email server. (Default = undefined)
- **Auth Type:** The Authentication type; the DSM/CPM allows you to select None, Plain, Login, or CRAM-MD5 Authentication. (Default = None)
- **From Name:** The name that will appear in the "From" field in email sent by the DSM/CPM. (Default = undefined)
- **From Address:** The email address that will appear in the "From" field in email sent by the DSM/CPM. (Default = undefined)
- **To Address:** The address(es) that will receive email messages generated by the DSM/CPM. Note that up to three "To" addresses may be defined, and that when Alarm Configuration parameters are selected as described in Section 9, you may then designate these addresses as recipients for email messages that are generated by the alarms. (Default = undefined)
- **Send Test Email:** Sends a test email, using the parameters that are currently defined for the Email configuration menu.

7.9. Save User Selected Parameters

It is strongly recommended to save all user-defined parameters to a file as described in Section 16. This will allow quick recovery in the event of accidental deletion or reconfiguration of port parameters.

When changing configuration parameters via the Text Interface, make certain that the DSM/CPM has saved the newly defined parameters before exiting from command mode. To save parameters, press the **[Esc]** key several times until you have exited from all configuration menus and the DSM/CPM displays the "Saving Configuration" menu and the cursor returns to the command prompt. If newly defined configuration parameters are not saved prior to exiting from command mode, then the DSM/CPM will revert to the previously saved configuration after you exit from command mode.

7.9.1. Restore Configuration

If you make a mistake while configuring the DSM/CPM unit, and wish to return to the previously saved parameters, the Text Interface's "Reboot System" command (**/I**) offers the option to reinitialize the unit using previously backed up parameters. This allows you to reset the unit to previously saved parameters, even after you have changed parameters and saved them.

Notes:

- *The DSM/CPM will automatically backup saved parameters once a day, shortly after Midnight. This configuration backup file will contain only the most recently saved DSM/CPM parameters, and will be overwritten by the next night's daily backup.*
- *When the **/I** command is invoked, a submenu will be displayed which offers several Reboot options. Option 4 is used to restore the configuration backup file. The dates shown next to Option 4 indicates the date that you last changed and saved unit parameters.*
- *If the daily automatic configuration backup has been triggered since the configuration error was made, and the previously saved configuration has been overwritten by newer, incorrect parameters, then this function will not be able to restore the previously saved (correct) parameters.*

To restore the previously saved configuration, proceed as follows:

1. Access command mode via the Text Interface, using a username/password that permits access to Administrator level commands.
2. At the command prompt, type **/I** and press **[Enter]**. The DSM/CPM will display a submenu that offers several different reboot options.
3. At the submenu, you may choose either Item 4 (Reboot & Restore Last Known Working Configuration.) Type **4**, and then press **[Enter]**.
4. The DSM/CPM will reboot and previously saved parameters will be restored.

8. Reboot Options

In addition to performing reboot cycles in response to commands, CPM Series Units can also be configured to automatically reboot outlets when an attached device does not respond to a Ping command (Ping-No-Answer Reboot) or according to a user defined schedule (Scheduled Reboot.)

Note: *Power switching and reboot functions are only available on CPM Series units. Power switching and reboot functions are not supported on DSM Series units.*

- **Ping-No-Answer Reboot:** When the Ping-No-Answer feature is enabled, CPM Series units will Ping a user selected IP address at regular intervals. If the IP address does not respond to the Ping command, the CPM Series unit will reboot one or more user selected outlet(s). Typically, this feature is used to reboot devices when they cease to respond to the Ping command.
- **Scheduled Reboot:** A scheduled reboot is used to initiate a reboot cycle at a user selected time and day of the week. When properly configured and enabled, CPM Series units will reboot one or more outlets on a daily or weekly basis. The Scheduled Reboot feature can also be used to switch outlet(s) Off at a user selected time, and then switch them back On again at a later, user selected time.

This section describes the procedure for configuring and enabling Ping-No-Answer Reboots and Scheduled Reboots.

Note: *When defining parameters via the Text Interface, make certain to press the [Esc] key several times to completely exit from the configuration menus and save newly defined parameters. When parameters are defined via the Text Interface, newly defined parameters will not be saved until the "Saving Configuration" message is displayed.*

8.1. Ping-No-Answer Reboot

A Ping-No-Answer Reboot can be used to reboot one or more outlets when an attached device does not respond to a Ping Command. In addition, the Ping-No-Answer Reboot feature can also be configured to send an email, Syslog Message or SNMP Trap to notify you whenever a Ping-No-Answer Reboot occurs. Please refer to Section 9.4 for instructions on setting up email alarm notification for Ping-No-Answer reboots.

Note: *Power switching and reboot functions are only available on CPM Series units. Power switching and reboot functions are not supported on DSM Series units.*

To set up a Ping-No-Answer Reboot, you must access command mode using a password that permits Administrator level commands. In the Text Interface, the Ping-No-Answer configuration menu is accessed via the Reboot Options menu (/RB). In the Web Browser Interface, the Ping-No-Answer configuration menu is accessed via the Reboot Options link. The Ping-No-Answer configuration menu can be used to Add, Modify, View or Delete Ping-No-Answer Reboot functions.

Note: *In order for the Ping-No-Answer Reboot feature to work properly, your network and/or firewall as well as the device at the target IP address must be configured to allow ping commands.*

8.1.1. Adding Ping-No-Answer Reboots

Up to 54 Ping-No-Answer Reboots can be defined. The Add Ping-No-Answer menu is used to define the following parameters for each new Ping-No-Answer Reboot:

- **IP Address or Domain Name:** The IP address or Domain Name for the device that you wish to Ping. When the device at this address fails to respond to the Ping command, the CPM Series unit will reboot the selected outlets. (Default = undefined)

Notes:

- *In order to use domain names, DNS Server parameters must first be defined as described in Section 7.8.3.*
- *In the Text Interface, a submenu will be displayed that allows the user to choose either IPv4 protocol or IPv6 protocol.*
- *In the Web Browser Interface, the Protocol parameter in the Add Ping-No-Answer Reboot menu is used to select IPv4 protocol or IPv6 protocol.*
- **Protocol:** (Web Interface Only) Allows definition of an IPv4 format IP Address or an IPv6 format IP Address. Note that if desired, both an IPv4 and an IPv6 format IP Address may be defined. (Default = IPv4)
- **Ping Interval:** Determines how often the Ping command will be sent to the selected IP Address. The Ping Interval can be any whole number, from 1 to 3,600 seconds. (Default = 60 Seconds)

Note: *If the Ping Interval is set lower than 20 seconds, it is recommended to define the "IP Address or Domain Name" parameter using an IP Address rather than a Domain Name. This ensures more reliable results in the event that the Domain Name Server is unavailable.*

- **Interval After Failed Ping:** Determines how often the Ping command will be sent after a previous Ping command receives no response. (Default = 10 Seconds)
- **Ping Delay After PNA Action:** Determines how long the CPM Series unit will wait to send additional Ping commands, after a Ping-No-Answer Reboot has been initiated. Typically, this option is used to allow time for a device to fully "wake up" after a Ping-No-Answer Reboot before attempting to Ping the device again. (Default = 15 Minutes)
- **Consecutive Failures:** Determines how many consecutive failures of the Ping command must be detected in order to initiate a Ping-No-Answer Reboot. For example, if this value is set to "3", then after three consecutive Ping failures, a Ping-No-Answer Reboot will be performed. (Default = 5)
- **Reboot:** Enables/Disables the Ping-No-Answer Reboot function for the specified IP address. When this item is disabled, the CPM Series unit will not reboot the specified outlet(s) when a Ping-No-Answer is detected. However, CPM Series units will continue to notify you via Email, Syslog Message and/or SNMP Trap, providing that parameters for these functions have been defined as described in Section 7.8 and the Ping-No-Answer Answer alarm has been enabled as described in Section 9.4. (Default = No)

Notes:

- *In order for Email/Text Message Notification to function, you must first define Email/Text Message parameters as described in Section 7.8.9.*
- *In order for Syslog Message Notification to function, you must first define a Syslog Address as described in Section 7.8.1.*
- *In order for SNMP Trap Notification to function, you must first define SNMP parameters as described in Section 7.8.5.*
- **PNA Action:** Determines how CPM Series units will react when the IP address fails to respond to a ping. CPM Series units can either continuously reboot the specified outlet(s) and send notification until the IP address responds and the Ping-No-Answer Reboot is cleared (Continuous Alarm/Reboot), or reboot the specified outlet(s) and send notification only once each time the Ping-No-Answer Reboot is initially triggered (Single Alarm/Reboot.) (Default = Continuous Alarm/Reboot)
- **Plug Access:** Determines which outlet(s) will be rebooted when this IP address for this Ping-No-Answer operation does not respond to a Ping command. Note that in the Text Interface, Plug Access is defined via a separate submenu; in the Web Browser Interface, Plug Access is defined via a drop down menu, which may be accessed by clicking on the "plus" sign in the "Configure Plug Access" field. (Default = undefined)
- **Plug Group Access:** Determines which Plug Group(s) the Ping-No-Answer Reboot for this IP Address will be applied to. Note that in the Text Interface, Plug Group Access is defined via a separate submenu; in the Web Browser Interface, Plug Group Access is defined via a drop down menu, which may be accessed by clicking on the "plus" sign. (Default = undefined)

- **Ping Test:** Sends a test Ping command to the IP Address or domain name that has been defined for this Ping-No-Answer Reboot.

Notes:

- *In order for the Ping Test function to work properly, your network and/or firewall as well as the device at the target IP address must be configured to allow ping commands.*
- *After you have finished defining or editing Ping-No-Answer Reboot parameters, make certain to save the changes before proceeding. In the Web Browser Interface, click on the "Add Ping No Answer" button to save parameters; in the Text Interface, press the **[Esc]** key several times until the CPM Series unit displays the "Saving Configuration" message and the cursor returns to the command prompt.*

8.1.2. Viewing Ping-No-Answer Reboot Profiles

After you have defined one or more Ping-No-Answer Reboot profiles, you can review the parameters selected for each profile using the View Ping-No-Answer feature. In order to view the configuration of an existing Ping-No-Answer profile, you must access command mode using a password that allows Administrator level commands and then use the Ping-No-Answer menu's "View/Modify Ping-No-Answer" function.

8.1.3. Modifying Ping-No-Answer Reboot Profiles

After you have defined a Ping-No-Answer profile, you can modify the configuration of the profile using the Modify Ping-No-Answer feature. In order to modify the configuration of an existing Ping-No-Answer profile, you must access the command mode using a password that allows Administrator level commands and then use the Ping-No-Answer menu's "View/Modify Ping-No-Answer" function.

CPM Series units will display a screen which allows you to modify parameters for the selected Ping-No-Answer Reboot Profile. Note that this screen functions identically to the Add Ping-No-Answer Reboot menu, as discussed in Section 8.1.1.

Note: *After you have finished defining or editing Ping-No-Answer Reboot parameters, make certain to save the changes before proceeding. In the Web Browser Interface, click on the "Change Ping No Answer" button to save parameters; in the Text Interface, press the **[Esc]** key several times until the CPM Series unit displays the "Saving Configuration" message and the cursor returns to the command prompt.*

8.1.4. Deleting Ping-No-Answer Reboot Profiles

After you have defined one or more Ping-No-Answer profiles, you can delete profiles that are no longer needed using the Delete Ping-No-Answer feature. In order to delete an existing Ping-No-Answer profile, you must access the command mode using a password that allows Administrator level commands and then use the Ping-No-Answer menu's "Delete Ping-No-Answer" function.

8.2. Scheduled Reboot

The Scheduled Reboot feature can be used to reboot one or more outlets or automatically switch outlets Off on On according to a user defined schedule. In order to configure a Scheduled Reboot, you must access command mode using a password that permits access to Administrator level commands.

Note: *Power switching and reboot functions are only available on CPM Series units. Power switching and reboot functions are not supported on DSM Series units.*

In the Text Interface, the Scheduled Reboot configuration menu is accessed via the Reboot Options menu (/RB). In the Web Browser Interface, the Scheduled Reboot configuration menu is accessed via the Reboot Options link. The Scheduled Reboot configuration menu can be used to Add, Modify, View or Delete Scheduled Reboot functions.

Note: *After you have finished defining or editing Scheduled Reboot parameters, make certain to save the changes before proceeding. In the Web Browser Interface, click on the "Add Scheduled Reboot" button to save parameters; in the Text Interface, press the [Esc] key several times until the CPM Series unit displays the "Saving Configuration" message and the cursor returns to the command prompt.*

8.2.1. Adding Scheduled Reboots

CPM Series units allow up to 54 Scheduled Reboots to be defined. The Add Scheduled Reboot menu allows you to define the following parameters for each new Scheduled Reboot.

- **Scheduled Reboot Name:** Assigns a name to this Scheduled Reboot. (Default = undefined)
- **Plug Action:** Determines whether the Scheduled Reboot will result in the outlet(s) being switched Off, or cycled Off and then On again (Reboot.) Note that when "Off" is selected, the "Day On" option and the "Time On" option can be used to select a time and day when the outlet(s) will be switched back On again. (Default = Turn Off)
- **Time:** Determines the time of the day that this Scheduled Reboot will occur on. (Default = 12:00)
- **Day Access:** This prompt provides access to a submenu which is used to determine which day(s) of the week this Scheduled Reboot will be performed. The Day Access parameter can also be used to schedule a daily reboot; to schedule a daily reboot, use the Day Access submenu to select every day of the week. (Default = undefined)

Note: *If you wish to Schedule an CPM Series unit to switch an outlet On at one time and then switch the outlet Off at another time, you must define two separate scheduled actions. The first action would be used to switch the outlet On, and the second action would be used to switch the outlet Off.*

- **Plug Access:** Determines which outlet(s) this Scheduled Reboot action will be applied to. In the Text Interface, key in the number for the Plug Access option, press **[Enter]** and then following the instructions in the resulting submenu. In the Web Browser Interface, outlets are designated by clicking on the "plus" sign in the Plug Access field, and then selecting the desired outlets from the drop down menu. (Default = undefined)
- **Plug Group Access:** Determines which Plug Group(s) this Scheduled Reboot action will be applied to. Note that in the Text Interface, Plug Group Access is defined via a separate submenu; in the Web Browser Interface, Plug Group Access is defined via a drop down menu, which may be accessed by clicking on the "plus" sign in the Plug Group Access field. (Default = undefined)

8.2.2. Viewing Scheduled Reboot Actions

After you have defined one or more Scheduled Reboots, you can review the parameters selected for each Reboot using the View Scheduled Reboot feature. In order to view the configuration of an existing Scheduled Reboot, you must access the command mode using a password that allows Administrator level commands and then use the Scheduled Reboot menu's "View/Modify Scheduled Reboot" function. The CPM Series unit will display a screen which lists all defined parameters for the selected Scheduled Reboot action.

8.2.3. Modifying Scheduled Reboots

After you have defined a Scheduled Reboot, you can edit the configuration of the Reboot action using the Modify Scheduled Reboot feature. In order to modify the configuration of an existing Scheduled Reboot action, you must access the command mode using a password that allows Administrator level commands and then use the Scheduled Reboot menu's "View/Modify Scheduled Reboot" function.

The CPM Series unit will display a screen which allows you to modify parameters for the selected Scheduled Reboot action. Note that this screen functions identically to the Add Scheduled Reboot menu, as discussed in Section 8.2.1.

8.2.4. Deleting Scheduled Reboots

After you have defined one or more Scheduled Reboot actions, you can delete Reboot actions that are no longer needed using the Delete Scheduled Reboot feature. In order to delete an existing Scheduled Reboot, access the command mode using a password that allows Administrator level commands and then use the Scheduled Reboot menu's "Delete Scheduled Reboot" function.

9. Alarm Configuration

When properly configured, the DSM/CPM can monitor temperature readings, ping response and a number of other factors at network installation sites and log this information for future review. When any monitored condition exceeds user-defined trigger levels, the DSM/CPM can also notify support personnel via Email, Syslog Message or SNMP trap. In addition to the monitoring and notification capabilities provided by standard DSM/CPM series units, CPM-C series units can also measure and record current, power and voltage conditions at each power outlet.

Notes:

- *Current and Power Monitoring features are only available on CPM-C Series units.*
- *In order to send alarm notification via email, email addresses and parameters must first be defined as described in Section 7.8.11. Email alarm notification will then be sent for all alarms that are enabled as described in this Section.*
- *In order to send alarm notification via Syslog Message, a Syslog address must first be defined as described in Section 7.8.2. Once the Syslog address has been defined, Syslog Messages will be sent for every alarm that is discussed in this Section, providing that the Trigger Enable parameter for the alarm has been set to "On."*
- *In order to send alarm notification via SNMP Trap, SNMP Trap parameters must first be defined as described in Section 7.8.7. Once SNMP Trap Parameters have been defined, SNMP Traps will be sent for every alarm that is discussed in this Section, providing that the Trigger Enable parameter for the alarm has been set to "On."*
- *After defining parameters via the Text Interface, make certain to press the **[Esc]** key several times to completely exit from the configuration menu and save newly defined parameters. When parameters are defined via the Text Interface, newly defined parameters will not be saved until the "Saving Configuration" message is displayed.*

To configure the DSM/CPM's Alarm functions, access the command mode using a password that allows Administrator level and then activate the Alarm Configuration menu (in the Text Interface, type `/AC` and press **[Enter]**; in the Web Browser Interface, click on the "Alarm Configuration" link.)

9.1. The Over Current Alarms (CPM-C Series Only)

The Over Current Alarms are designed to inform you when current consumption reaches or exceeds user-defined levels. Depending on the specific CPM-C model, CPM-C units can have up to four Over Current Alarms (two sets of two alarms):

- The Over Current Line (Initial) Alarm
- The Over Current Line (Critical) Alarm

Notes:

- *Current and Power Monitoring features are not available on DSM Series units or CPM Series that do not include the Current Monitoring option.*
- *The Over Current Alarms monitor the load on each input line.*

The Initial alarms are used to provide notification when the level of current consumption reaches a point where you *might* want to investigate it, whereas the Critical alarms can provide notification when the level of current consumption approaches the maximum allowed level. The trigger levels for the Initial alarms are generally set lower than the trigger levels for the Critical alarms.

If the user-defined trigger levels for current load are exceeded, the CPM-C can automatically shut off power to non-essential devices ("Load Shedding") in order to decrease current load. After Load Shedding has taken place, the CPM-C can also restore power to the non-essential devices when current load drops to user-defined acceptable levels. For more information on Load Shedding, please refer to Section 9.1.1.

Notes:

- *In order for the CPM-C to provide alarm notification via Email, communication parameters must first be defined as described in Section 7.8.11.*
- *In order for the CPM-C to provide alarm notification via Syslog Message, Syslog parameters must first be defined and Syslog Messages must be enabled as described in Section 7.8.2 and Section 11.*
- *In order for the CPM-C to provide alarm notification via SNMP Trap, SNMP parameters must first be defined, and SNMP Traps must be enabled as described in Section 6.8.7 and Section 12.*

To configure the Over Current Alarms, access the command mode using a password that permits Administrator Level commands, and then use the Alarm Configuration menu to select the desired alarm feature.

Note that the configuration menus for both Over Current Alarms offer essentially the same set of parameters, but the parameters defined for each alarm are separate. Therefore, parameters defined for a Critical Alarm will not be applied to an Initial Alarm and vice versa.

The Current Alarm Configuration menus offer the following parameters:

- **Trigger Enable:** Enables/Disables the trigger for this alarm. When Disabled, this alarm will be suppressed. (Default = On)

Notes:

- *When an alarm is generated, to cancel an alarm without correcting the condition that caused the alarm, simply toggle the Trigger Enable parameter Off and then back On again.*
- *The Trigger Enable, Notify on Clear, Email Message and Address 1, 2 and 3 Parameters all include "Copy to All Triggers" options that allow you to enable/disable the corresponding parameter for all other alarms. For example, if the Over Current Alarm's Trigger Enable parameter is set to "On (Copy to All Triggers), then the triggers for all other DSM/CPM alarms will also be enabled.*
- **Alarm Set Threshold:** The trigger level for this alarm. When current load exceeds the Alarm Set Threshold, the CPM-C can send an alarm and/or begin load shedding (if enabled.) Note that the Alarm Set Threshold is entered as a percentage of maximum capacity and is applied to both Over Current Branch Alarm and Over Current Line Alarm (if present.) (Defaults: Initial = 80%; Critical = 90%)
- **Alarm Clear Threshold:** Determines how low the current load must drop in order for the Alarm condition to be cancelled and for load shedding recovery (if enabled) to occur. The Alarm Clear Threshold is entered as a percentage of maximum capacity and is applied to both Over Current Branch Alarm and Over Current Line Alarm (if present.) (Defaults: Initial Alarms = 70%; Critical Alarms = 80%)
- **Resend Delay:** Determines how long the CPM-C will wait to resend an email message generated by this alarm, when the initial attempt to send the notification was unsuccessful. (Default = 60 Minutes)
- **Notify Upon Clear:** When this item is enabled, the CPM-C will send additional notification when the situation that caused the alarm has been corrected. For example, when Notify Upon Clear is enabled, the CPM-C will first send notification when it detects that current consumption has exceeded the trigger value, and then send a second notification when it determines that the current consumption has fallen below the trigger value. (Default = On)
- **Email Message:** Enables/Disables email notification for this alarm. (Default = On)
- **Address 1, 2, and 3:** These parameters are used to select which of the three email addresses defined via the "Email Messages" menu (see Section 7.8.11) will receive the email alarm notification messages generated by this alarm. The Address parameters can be used to select one, or any combination of the addresses defined via the Email Messages menu. (Default = All On)

Note: *If Email addresses have been previously defined, then the text under the parameters will list the current, user selected email addresses.*
- **Subject:** This parameter is used to define the text that will appear in the "Subject" field for all email notification messages generated by the alarm. (Defaults = "Alarm: Over Current (Initial)" or "Alarm: Over Current (Critical)")

- **Load Shedding:** Provides access to a submenu which is used to configure and enable the Load Shedding feature for the Over Current Alarm. When Load Shedding is enabled and properly configured, the CPM-C will switch user-selected plugs On or Off whenever the current load exceeds the Alarm Set Threshold value. If the Auto Recovery feature is enabled, the CPM-C can also return these user-selected plugs to their prior status when current load falls below the Alarm Clear Threshold value. For more information on the Load Shedding Feature and Auto Recovery, please refer to Section 9.1.1.

9.1.1. Over Current Alarms - Load Shedding and Auto Recovery

The Load Shedding feature is used to switch specific, user-defined, non-essential plugs On or Off whenever current load exceeds the Alarm Set Threshold value. This allows the CPM-C to automatically shut Off plugs in order to reduce current load when the load approaches user-defined critical levels. When the Auto Recovery feature is enabled, the CPM-C can also automatically "undo" the effects of the Load Shedding feature when current load again falls to a user-defined non-critical level.

Together, the Load Shedding and Auto Recovery features allow the CPM-C to shut off power to non-essential devices when the current load is too high, and then switch those same non-essential devices back On again when the load falls to an acceptable level.

The Load Shedding Configuration Menus allow you to define the following parameters:

Notes:

- *Current and Power Monitoring features are only available on CPM-C Series units.*
- *The Load Shedding Configuration Menus for the Over Current Alarms offer essentially the same set of parameters, but parameters defined for each alarm are separate and unique. For example, parameters defined for Over Current (Initial) Alarm Load Shedding will not be applied to Over Current (Critical) Alarm Load Shedding and vice versa.*
- **Enable:** Enables/Disables Load Shedding for the corresponding alarm. When enabled, the CPM-C will switch the user specified plugs whenever current load exceeds the Alarm Set Threshold value. (Default = Off)
- **Plug State:** Determines whether the selected plugs/plugin groups will be switched On or Off when Load Shedding is enabled and current load exceeds the user-defined Alarm Set Threshold. For example, if the Plug State is "Off", then plugs or plug groups will be switched Off when the Alarm Set Threshold is exceeded. (Default = Off)

- **Auto Recovery:** Enables/Disables the Auto Recovery feature for the selected branch or line. When both Load Shedding and Auto Recovery are enabled, the CPM-C will return plugs to their former On/Off state after current load falls below the Alarm Clear Threshold value. This allows the CPM-C to "undo" the effects of Load Shedding after current load has returned to an acceptable level. (Default = Off)
- **Plug Access:** Determines which Plug(s) will be switched when current load exceeds the Alarm Set Threshold and Load Shedding is triggered. For example, if plugs A1, A2 and A3 are selected, then these plugs will be switched On or Off whenever current load exceeds the Alarm Set Threshold. (Default = undefined)
- **Plug Group Access:** Determines which Plug Group(s) will be switched when the Load Shedding feature is triggered. For example, if you have defined a Plug Group named "test", which includes Plugs B3, B4 and B5, and then selected the "test" Plug Group via the Plug Group Access parameter, then all of the plugs in the "test" Plug Group will be switched On or Off whenever the current load exceeds the Alarm Set Threshold. (Default = undefined)

Note: *Plug Groups must first be defined (as described in Section 6.5) before they will be displayed in the Load Shedding menu's Plug Group Access submenu.*

After setting parameters for a given branch or line, you may also define additional parameters for other branches or lines (if present) To set Load Shedding parameters for other branches or lines, return to the Alarm Configuration menu and then repeat the procedure described in Section 9.1.1.

9.2. The Over Temperature Alarms

The Over Temperature Alarms can inform you when temperatures inside your equipment rack reach or exceed user specified trigger levels. There are two separate Over Temperature Alarms; the Initial Threshold alarm and the Critical Threshold Alarm.

Typically, the Initial Threshold alarm is used to provide notification when temperatures reach a point where you *might* want to investigate, whereas the Critical Threshold alarm is used to provide notification when temperatures approach a level that may harm equipment or inhibit performance. The trigger for the Initial Threshold alarm is generally set lower than the Critical Threshold alarm.

Notes:

- *In order for the DSM/CPM to provide alarm notification via Email, communication parameters must first be defined as described in Section 7.8.11.*
- *In order for the DSM/CPM to provide alarm notification via Syslog Message, Syslog parameters must first be defined and Syslog Messages must be enabled as described in Section 7.8.2.*
- *In order for the DSM/CPM to provide alarm notification via SNMP Trap, SNMP parameters must first be defined, and SNMP Traps must be enabled as described in Section 7.8.7.*

To configure the Over Temperature Alarms, access the DSM/CPM command mode using a password that permits Administrator Level commands, and then use the Alarm Configuration menu to select the desired alarm feature.

Note that both the Initial Threshold menus and Critical Threshold menus offer essentially the same set of parameters, but parameters defined for each alarm are separate and unique. Therefore, parameters defined for the Critical Threshold Alarm will not be applied to the Initial Threshold Alarm and vice versa. Both the Over Temperature (Initial Threshold) alarm and the Over Temperature (Critical Threshold) alarm offer the following parameters:

- **Trigger Enable:** Enables/Disables the trigger for this alarm. When Disabled, this alarm will be suppressed. (Default = On)

Notes:

- *To cancel an alarm without correcting the condition that caused the alarm, simply toggle the Trigger Enable parameter Off and then back On again.*
- *The Trigger Enable, Notify on Clear, Email Message and Address 1, 2 and 3 Parameters all include "Copy to All Triggers" options that allow you to enable/disable the corresponding parameter for all DSM/CPM alarms. For example, if the Lost Communication Alarm's Trigger Enable parameter is set to "On (Copy to All Triggers)", then all other DSM/CPM alarms will also be enabled.*

- **Alarm Set Threshold:** The trigger level for this alarm. When temperature exceeds the Alarm Set Threshold, the DSM/CPM can send an alarm (if enabled) and/or begin Load Shedding (if enabled.) For more information on Load Shedding, please refer to Section 9.2.1. (Initial Threshold: Default = 110°F or 43°C, Critical Threshold: Default = 120°F or 49°C)

Note: *The Alarm Set Threshold value must be greater than the Alarm Clear Threshold value. The DSM/CPM will not allow you to define an Alarm Clear Threshold value that is higher than the Alarm Set Threshold.*

- **Alarm Clear Threshold:** Determines how low the temperature must drop in order for the Alarm condition to be cancelled and for Auto Recovery (if enabled) to occur. For more information on Load Shedding and Auto Recovery for the Over Temperature Alarm, please refer to Section 9.2.1. (Initial Threshold: Default = 100°F or 38°C, Critical Threshold: Default = 110°F or 43°C)

Note: *The System Parameters menu is used to set the temperature format for the DSM/CPM unit to either Fahrenheit or Celsius as described in Section 6.2.*

- **Resend Delay:** Determines how long the DSM/CPM will wait to resend an email message generated by this alarm, when the initial attempt to send notification was unsuccessful. (Default = 60 Minutes)

- **Notify Upon Clear:** When this item is enabled, the DSM/CPM will send additional notification when the situation that caused the alarm has been corrected. For example, when Notify Upon Clear is enabled, the DSM/CPM will send initial notification when it detects that the temperature has exceeded the trigger value, and then send a second notification when it determines that the temperature has fallen below the trigger value. (Default = On)

- **Email Message:** Enables/Disables email notification for this alarm. (Default = On)

- **Address 1, 2, and 3:** These parameters are used to select which of the three email addresses, defined via the "Email Messages" menu (see Section 7.8.11,) will receive the email alarm notification messages generated by this alarm. The Address parameters can be used to select one, or any combination of the addresses defined via the Email Messages menu. (Default = All On)

Note: *If Email addresses have been previously defined, then the text under the parameters will list the current, user defined email addresses.*

- **Subject:** This parameter is used to define the text that will appear in the "Subject" field for all email notification messages generated by this alarm. (Default = "Alarm: Over Temperature (Initial)" or "Alarm: Over Temperature (Critical)")

- **Load Shedding:** (CPM Series Units Only) Provides access to a submenu, which is used to configure and enable the Load Shedding feature for the Over Temperature alarms. When Load Shedding is enabled and properly configured, CPM Series units can switch specific, user-selected plugs On or Off whenever the temperature exceeds the Alarm Set Threshold value. If the Auto Recovery feature is enabled, the CPM Series unit can also return these user-selected plugs to their prior status, when the temperature falls below the Alarm Clear Threshold value. For more information, please refer to Section 9.2.1.

9.2.1. Over Temperature Alarms - Load Shedding and Auto Recovery

Note: *Power Control functions are only available on CPM Series units. The Load Shedding feature is not available on DSM Series units.*

The Load Shedding feature is used to switch specific, user-defined plugs On or Off whenever the temperature exceeds the Alarm Set Threshold value. This allows an CPM Series unit to automatically shut Off non-essential devices in order to reduce the temperature generated within the rack, or automatically switch On devices such as fans or cooling systems in order to dissipate heat from the rack. When the Auto Recovery feature is enabled, the CPM Series unit can also automatically "undo" the effects of the Load Shedding feature when the temperature again falls to a user-defined non-critical level.

Note: *The Load Shedding configuration menus for both the Initial Threshold Alarm and Critical Threshold Alarm offer essentially the same set of parameters, but the parameters defined for each alarm are separate and unique. Therefore, parameters defined for the Critical Threshold Load Shedding will not be applied to the Initial Threshold Alarm and vice versa.*

The Load Shedding configuration menus for both the Over Temperature (Initial Threshold) alarm and the Over Temperature (Critical Threshold) alarm offer the following parameters:

- **Enable:** Enables/Disables Load Shedding for the corresponding alarm. When enabled, the CPM Series unit will switch the user specified plugs whenever the temperature exceeds the Alarm Set Threshold value. (Default = Off)
- **Plug State:** Determines whether the selected plugs/plugin groups will be switched On or Off when Load Shedding is enabled and the temperature exceeds the user-defined Alarm Set Threshold. For example, if the Plug State is set to "Off", then the selected plugs/plugin groups will be switched Off when the Alarm Set Threshold is exceeded. (Default = Off)
- **Auto Recovery:** Enables/Disables the Auto Recovery feature. When both Load Shedding and Auto Recovery are enabled, the CPM Series unit will return plugs to their former On/Off state after the temperature falls below the Alarm Clear Threshold value. This allows the CPM Series unit to "undo" the effects of the Load Shedding feature after the temperature has returned to an acceptable level. (Default = Off)

- **Plug Access:** Determines which Plug(s) will be switched when the temperature exceeds the Alarm Set Threshold and the Load Shedding feature is triggered. For example, if plugs 1, 2 and 3 are selected, then these plugs will be switched On or Off whenever the temperature exceeds the Alarm Set Threshold.
(Default = undefined)

Notes:

- *In the Text Interface, Plug Access is configured by typing 4, pressing [Enter] and then selecting the desired Plug(s) from the resulting submenu.*
 - *In the Web Browser Interface, Plug Access is configured by clicking on the "plus" symbol in the "Configure Plug Access" field to display the drop down menu, and then selecting the desired Plug(s) from the drop down menu.*
- **Plug Group Access:** Determines which Plug Group(s) will be switched when the temperature exceeds the Alarm Set Threshold and the Load Shedding feature is triggered. For example, if you have defined a Plug Group named "test", which includes Plugs 2, 3 and 4, and then select the "test" Plug Group via the Plug Group Access parameter, then all of the plugs in the "test" Plug Group will be switched On or Off whenever the temperature exceeds the Alarm Set Threshold.
(Default = undefined)

Notes:

- *Power Control functions are only available on CPM Series units. The Load Shedding feature is not available on DSM Series units.*
- *In the Text Interface, Plug Group Access is configured by typing 5, pressing [Enter] and then selecting the desired Plug Group(s) from the resulting submenu.*
- *In the Web Browser Interface, Plug Group Access is configured by clicking on the "plus" symbol in the "Configure Plug Group Access" field to display the drop down menu, and then selecting the desired Plug Group(s) from the drop down menu.*
- *Plug Groups must first be defined (as described in Section 7.5) before they will be displayed in the Load Shedding menu's Plug Group Access submenu.*

9.3. The Lost Communication Alarm

The Lost Communication with Unit Alarm is intended to provide prompt notification when communication with an attached WTI device is disrupted. When the Lost Communication Alarm is triggered, the DSM/CPM can provide notification via Email, Syslog Message or SNMP Trap.

Notes:

- *In order for this alarm to provide notification via Email, communication parameters must first be defined as described in Section 7.8.11.*
- *In order for this alarm to provide notification via Syslog Message, Syslog parameters must first be defined and Syslog Messages must be enabled as described in Section 7.8.2.*
- *In order for this alarm to provide notification via SNMP Trap, SNMP parameters must first be defined, and SNMP Traps must be enabled as described in Section 7.8.7.*
- *In order for the Lost Communication Alarm to function, the Heartbeat parameter must be enabled at each serial port that you wish to monitor. For example, in order to monitor a WTI device that is connected to Serial Port 3, the Heartbeat function must be enabled at Serial Port 3.*

To configure the Lost Communication Alarm, access the DSM/CPM command mode using a password that permits Administrator Level commands. Enable the Heartbeat function and select the "Any-to-Any" port mode at the desired Serial Port as described in Section 7.7.2, and then proceed as follows:

Notes:

- *The Lost Communication Alarm will not function correctly if target Serial Ports are not configured for Any-to-Any Mode, or if the Heartbeat function is not enabled at those ports.*
- *In order for the Lost Communication Alarm to function correctly, it may be necessary to update the firmware on your remote WTI equipment.*

The Lost Communication Alarm Configuration Menu offers the following parameters:

- **Trigger Enable:** Enables/Disables the trigger for this alarm. When Disabled, this alarm will be suppressed. (Default = On)

Notes:

- *To cancel an alarm without correcting the condition that caused the alarm, simply toggle the Trigger Enable parameter Off and then back On again.*
- *The Trigger Enable, Notify on Clear, Email Message and Address 1, 2 and 3 Parameters all include "Copy to All Triggers" options that allow you to enable/disable the corresponding parameter for all DSM/CPM alarms. For example, if the Lost Communication Alarm's Trigger Enable parameter is set to "On (Copy to All Triggers)", then all other DSM/CPM alarms will also be enabled.*

- **Resend Delay:** Determines how long the DSM/CPM will wait to resend an email message generated by this alarm, when the initial attempt to send the notification was unsuccessful. (Default = 60 Minutes)
 - **Notify Upon Clear:** When this item is enabled, the DSM/CPM will send additional notification when the situation that caused the alarm has been corrected. For example, when Notify Upon Clear is enabled, the DSM/CPM will send initial notification when it detects lost communication with the a WTI device connected to one of the DSM/CPM Serial Ports, and then send a second notification when it determines that communication has been restored. (Default = On)
 - **Email Message:** Enables/Disables email notification for this alarm. (Default = On)
 - **Address 1, 2, and 3:** These parameters are used to select which of the three email addresses defined via the "Email Messages" menu (see Section 7.8.11) will receive the email alarm notification messages generated by this alarm. The Address parameters can be used to select one, or any combination of the addresses defined via the Email Messages menu. (Default = All On)
- Note:** *If Email addresses have been previously defined, then the text under the parameters will list the current, user defined email addresses.*
- **Subject:** This parameter is used to define the text that will appear in the "Subject" field for all email notification messages generated by this alarm. (Default = "Alarm: Lost Comm with Unit")

9.4. The Ping-No-Answer Alarm

The Ping-No-Answer Alarm can be used to provide notification when a device at a target IP address fails to respond to a ping command. When properly configured and enabled, the Ping-No-Answer Alarm can promptly notify network administrators and support personnel when a target device appears to have malfunctioned, allowing quick response to equipment problems that could potentially interfere with network communication.

On CPM Series units, the Ping-No-Answer alarm can be used in conjunction with the Ping-No-Answer Reboot function to automatically reboot target devices that fail to respond to ping commands in addition to providing notification when unresponsive devices are detected. The following sections describe the procedure for setting up the Ping-No-Answer alarm on both CPM Series units as well as DSM Series units.

9.4.1. Ping-No-Answer Notification - DSM Series Units

When properly configured, standard DSM Series units can provide notification when a device at a user-specified IP address fails to respond to a ping command. When one of the user-defined IP addresses fails to answer a Ping command, the DSM/CPM can provide notification via Email, Syslog Message or SNMP Trap.

Notes:

- *For instructions regarding Ping-No-Answer Alarm configuration on CPM series units, please refer to Section 9.4.2.*
- *In order for the Ping-No-Answer Alarm to work properly, your network and/or firewall, as well as the device at the target IP address, must be configured to allow ping commands.*
- *In order for this alarm to function, at least one target IP Address for the Ping No Answer Alarm must be defined as described in Section 9.4.1.1.*
- *In order for the DSM/CPM to provide Email alarm notification, communication parameters must first be defined as described in Section 7.8.11.*
- *In order for the DSM/CPM to provide Syslog Message notification, Syslog parameters must first be defined and Syslog Messages must be enabled as described in Section 7.8.2.*
- *In order for the DSM/CPM to provide SNMP Trap notification when this alarm is triggered, SNMP parameters must first be defined, and SNMP Traps must be enabled as described in Section 7.8.7.*

9.4.1.1. Defining Ping No Answer IP Addresses - DSM Series Units

In order for the Ping No Answer Alarm to function, you must first define at least one target IP address. To define target IP addresses for the Ping-No-Answer Alarm, access command mode using an account that permits Administrator Level commands and then proceed as follows:

- **Text Interface:** At the command prompt, type `/PNA` and then press **[Enter]** to display the Ping No Answer menu. Type 2 and press **[Enter]** to add a target IP address for the Ping No Answer Alarm.
- **Web Browser Interface:** Click the "Ping No Answer Configuration" link, located on the left hand side of the screen to display the Ping No Answer Configuration Menu. Click on the "Add Ping No Answer" link to define a target IP address(es) for the Ping No Answer Alarm.

Note that both the Text Interface and the Web Browser Interface include menu options that allow you to either View previously defined Ping No Answer IP Addresses, add new Ping No Answer Addresses, Modify previously defined Ping No Answer IP Addresses or delete previously defined Ping No Answer IP addresses.

After one or more Ping No Answer IP Addresses have been defined as described in this section, the Ping No Answer Alarm function can then be enabled and configured as described in Section 9.4.1.2. Up to 54 Ping No Answer IP Addresses can be defined. The Add Ping No Answer menu is used to define the following parameters for each new Ping No Answer IP Address:

- **IP Address or Domain Name:** The IP address or Domain Name for the target device. When the device at this address fails to respond to the Ping command, the Ping No Answer Alarm can provide user notification. (Default = undefined)

Notes:

- *In order to use Domain Names, you must first define DNS parameters as described in Section 7.8.5.*
- *The target IP Address can be entered in either IPv4 format or IPv6 format. In the text interface, a the "IP Address or Domain Name" submenu is used to select either IPv4 or IPv6 protocol. In the Web Browser Interface, a drop down menu is used to select the desired protocol.*
- **Protocol:** Allows definition of an IPv4 format IP Address or an IPv6 format IP Address. Note that if desired, both an IPv4 and an IPv6 format IP Address may be defined. (Default = IPv4)
Note: *In the Text Interface, the protocol is specified via the IP Address or Domain Name prompt.*
- **Ping Interval:** Determines how often the Ping command will be sent to the selected IP Address. The Ping Interval can be any whole number, from 1 to 3,600 seconds. (Default = 60 Seconds)
Note: *If the Ping Interval is set lower than 20 seconds, it is recommended to define the "IP Address or Domain Name" parameter using an IP Address rather than a Domain Name. This ensures more reliable results in the event that the Domain Name Server is unavailable.*

- **Interval After Failed Ping:** Determines how often the Ping command will be sent after a previous Ping command receives no response. (Default = 10 Seconds)
- **Ping Delay After PNA Action:** Determines how long the DSM/CPM will wait to send additional ping commands, after the Ping No Answer Alarm has been triggered. (Default = 15 Minutes)
- **Consecutive Failures:** Determines how many consecutive failures of the Ping command must be detected in order to trigger the Ping No Answer Alarm. For example, if this value is set to "3", then after three consecutive Ping failures, the Ping No Answer Alarm will be triggered. (Default = 5)
- **PNA Action:** Determines how the Ping No Answer Alarm will react when this IP address fails to respond to a ping. If "Continuous Alarm" is selected, the DSM/CPM will continue to generate new alarms until the Ping No Answer Alarm is cleared. If "Single Alarm" is generated, the DSM/CPM will generate a single alarm and will not generate additional alarms until a successful ping operation is completed and then another Ping No Answer condition is detected. (Default = Continuous Alarm)
- **Ping Test:** Sends a test Ping command to this IP Address.

Notes:

- *In order for the Ping Test feature to work properly, your network and/or firewall, as well as the device at the target IP address, must be configured to allow ping commands.*
- *After defining or editing Ping No Answer IP Addresses, make certain to save the changes before proceeding. In the Web Browser Interface, click on the "Add Ping No Answer" button to save parameters; in the Text Interface, press the **[Esc]** key several times until the "Saving Configuration" message is displayed and the cursor returns to the command prompt.*

9.4.1.2. Configuring the Ping No Answer Alarm - DSM Series Units

To configure the Ping-No-Answer Alarm, you must access command mode using a password that permits Administrator Level commands. The Ping-No-Answer alarm configuration menu offers the following parameters:

- **Trigger Enable:** Enables/Disables the trigger for this alarm. When Disabled, this alarm will be suppressed. (Default = On)

Notes:

- *In order for this alarm to function, at least one target IP Address for the Ping No Answer Alarm must be defined as described in Section 9.4.1.1.*
 - *To cancel an alarm without correcting the condition that caused the alarm, simply toggle the Trigger Enable parameter to Off and then back On again.*
 - *The Trigger Enable, Notify on Clear, Email Message and Address 1, 2 and 3 Parameters all include "Copy to All Triggers" options that allow you to enable/disable the corresponding parameter for all DSM/CPM alarms. For example, if the Ping No Answer Alarm's Trigger Enable parameter is set to "On (Copy to All Triggers), then all other DSM/CPM alarms will also be enabled.*
 - **Resend Delay:** Determines how long the DSM/CPM will wait to resend an email message generated by this alarm, when the initial attempt to send the notification was unsuccessful. (Default = 60 Minutes)
 - **Notify Upon Clear:** When this item is enabled, the DSM/CPM will send additional notification when the situation that caused the alarm has been corrected. For example, when Notify Upon Clear is enabled, the DSM/CPM will send initial notification when it detects that a Ping command has failed, and then send a second notification when it determines that the IP address is again responding to the Ping command. (Default = On)
 - **Email Message:** Enables/Disables email notification for this alarm. (Default = On)
 - **Address 1, 2, and 3:** These parameters are used to select which of the three email addresses defined via the "Email Messages" menu (see Section 7.8.11) will receive the email alarm notification messages generated by this alarm. The Address parameters can be used to select one, or any combination of the addresses defined via the Email Messages menu. (Default = All On)
- Note:** *If Email addresses have been previously specified, then the text under the parameters will list the current, user defined email addresses.*
- **Subject:** This parameter is used to define the text that will appear in the "Subject" field for all email notification messages that are generated by this alarm. (Default = "Alarm: Ping No Answer")

9.4.2. Ping-No-Answer Alarm - CPM Series Units

The Ping-No-Answer Alarm can provide notification when one of the IP addresses defined via the Ping-No-Answer Reboot feature (as described in Section 7.1) fails to respond to a Ping command. When one of the user-defined IP addresses fails to answer a Ping command, CPM Series units can provide notification via Email, Syslog Message or SNMP Trap.

Notes:

- *For instructions regarding Ping-No-Answer Alarm configuration on DSM series units, please refer to Section 9.4.1.*
- *In order for the Ping-No-Answer Alarm to work properly, your network and/or firewall as well as the devices at the target IP addresses must be configured to allow ping commands.*
- *In order for this alarm to function, IP Addresses for the Ping-No-Answer reboot feature must first be defined as described in Section 8.1.*
- *If you wish to use the Ping-No-Answer alarm without generating Ping-No-Answer reboots, make certain that the Reboot Parameter in the Ping-No-Answer Reboot menu is set to "No."*
- *When a Ping-No-Answer condition is detected, CPM Series units can still reboot the user-selected outlet(s) as described in Section 8.1, and can also send an email, Syslog Message and/or SNMP trap if properly configured as described in this section.*
- *In order for the CPM Series unit to provide Email alarm notification, communication parameters must first be defined as described in Section 7.8.11.*
- *In order for the CPM Series unit to provide Syslog Message notification, Syslog parameters must first be defined and Syslog Messages must be enabled as described in Section 7.8.2.*
- *In order for the CPM Series unit to provide SNMP Trap notification when this alarm is triggered, SNMP parameters must first be defined, and SNMP Traps must be enabled as described in Section 7.8.7.*

To configure the Ping-No-Answer Alarm, you must access the CPM command mode using a password that permits Administrator Level commands. Up to 54 Ping-No-Answer IP Addresses can be defined. The Add Ping-No-Answer menu is used to define the following parameters for each new Ping-No-Answer IP Address:

- **Trigger Enable:** Enables/Disables the trigger for this alarm. When Disabled, this alarm will be suppressed. (Default = On)

Notes:

- *To cancel an alarm without correcting the condition that caused the alarm, simply toggle the Trigger Enable parameter to Off and then back On again.*
- *The Trigger Enable, Notify on Clear, Email Message and Address 1, 2 and 3 Parameters all include "Copy to All Triggers" options that allow you to enable/disable the corresponding parameter for all CPM alarms. For example, if the Ping No Answer Alarm's Trigger Enable parameter is set to "On (Copy to All Triggers)", then all other CPM alarms will also be enabled.*

- **Resend Delay:** Determines how long the CPM Series unit will wait to resend an email message generated by this alarm, when the initial attempt to send the notification was unsuccessful. (Default = 60 Minutes)
 - **Notify Upon Clear:** When this item is enabled, the CPM Series unit will send additional notification when the situation that caused the alarm has been corrected. For example, when Notify Upon Clear is enabled, the CPM Series unit will send initial notification when it detects that a Ping command has failed, and then send a second notification when it determines that the IP address is again responding to the Ping command. (Default = On)
 - **Email Message:** Enables/Disables email notification for this alarm. (Default = On)
 - **Address 1, 2, and 3:** These parameters are used to select which of the three email addresses defined via the "Email Messages" menu (see Section 7.8.11) will receive the email alarm notification messages generated by this alarm. The Address parameters can be used to select one, or any combination of the addresses defined via the Email Messages menu. (Default = All On)
- Note:** *If Email addresses have been previously specified, then the text under the parameters will list the current, user defined email addresses.*
- **Subject:** This parameter is used to define the text that will appear in the "Subject" field for all email notification messages that are generated by this alarm. (Default = "Alarm: Ping-No-Answer")

9.5. The Serial Port Invalid Access Lockout Alarm

The Serial Port Invalid Access Lockout Alarm can provide notification when the DSM/CPM has locked the serial ports due to repeated, invalid attempts to access command mode via serial port. Normally, the Invalid Access Lockout feature (discussed in Section 7.2.2) can lock the serial ports whenever the unit detects that the user-defined threshold for invalid access attempts has been exceeded. When the Serial Port Invalid Access Lockout Alarm is properly configured and enabled, the unit can also provide notification via Email, SYSLOG message or SNMP Trap when a serial port lockout occurs.

Notes:

- *Note that Serial Port Invalid Access Lockout Alarm is only intended to provide notification when the Invalid Access Lockout feature has locked the serial ports. To apply the Invalid Access Lockout feature to the Network Port, please refer to Section 7.2.2.*
- *In order for this alarm to function, target ports must be set to "Any-to-Any" mode and Invalid Access Lockout parameters for the desired serial port(s) must first be configured and enabled as described in Section 7.2.2.*
- *If desired, the DSM/CPM can be configured to count Invalid Access attempts at the serial ports, and provide notification when the counter exceeds a user defined trigger level, without actually locking the serial ports. To do this, enable the Invalid Access Lockout Alarm as described here, but when you configure Invalid Access Lockout parameters as described in Section 7.2.2, set the Lockout Attempts and Lockout Duration as you would normally, and then set the "Lockout Enable" parameter to "Off."*
- *In order for the DSM/CPM to provide Email alarm notification, communication parameters must first be defined as described in Section 7.8.11.*
- *In order for the DSM/CPM to provide Syslog Message notification, Syslog parameters must first be defined and Syslog Messages must be enabled as described in Section 7.7.2 and Section 12.*
- *In order for the DSM/CPM to provide SNMP Trap notification when this alarm is triggered, SNMP parameters must first be defined, and SNMP Traps must be enabled as described in Section 7.8.5 and Section 12.*

To configure the Serial Port Invalid Access Lockout Alarm, you must access the DSM/CPM command mode using a password that permits Administrator Level commands. The Invalid Access Lockout alarm configuration menu offers the following parameters:

- **Trigger Enable:** Enables/Disables the trigger for this alarm. When Disabled, this alarm will be suppressed. (Default = On)

Note:

- *When an alarm is generated, to cancel an alarm without correcting the condition that caused the alarm, simply toggle the Trigger Enable parameter Off and then back On again.*
- *The Trigger Enable, Notify on Clear, Email Message and Address 1, 2 and 3 Parameters all include "Copy to All Triggers" options that allow you to enable/disable the corresponding parameter for all DSM/CPM alarms. For example, if the Invalid Access Lockout Alarm's Trigger Enable parameter is set to "On (Copy to All Triggers), then other DSM/CPM alarms will also be enabled.*
- **Resend Delay:** Determines how long the DSM/CPM will wait to resend an email message generated by this alarm, when the initial attempt to send the notification was unsuccessful. (Default = 60 Minutes)
- **Notify Upon Clear:** When this item is enabled, the DSM/CPM will send additional notification when the situation that caused the alarm has been corrected. For example, when Notify Upon Clear is enabled, the DSM/CPM will send initial notification when it detects that an Invalid Access Lockout has occurred, and then send a second notification when it determines that the ports have been unlocked. (Default = On)
- **Email Message:** Enables/Disables email notification for this alarm. (Default = On)
- **Address 1, 2, and 3:** These parameters are used to select which of the three email addresses defined via the "Email Messages" menu (see Section 7.8.11) will receive the email alarm notification messages generated by this alarm. The Address parameters can be used to select one, or any combination of the addresses defined via the Email Messages menu. (Default = All On)

Note: *If Email addresses have been previously specified, then the text under the parameters will list the current, user defined email addresses.*

- **Subject:** This parameter is used to define the text that will appear in the "Subject" field for all email notification messages generated by this alarm. (Default = "Alarm: Invalid Access Lockout")

9.6 The Power Cycle Alarm

The Power Cycle Alarm can provide notification when all input power to the DSM/CPM unit is lost and then restored. When the power supply is lost and then restored, the DSM/CPM can provide notification via Email, Syslog Message or SNMP Trap.

Notes:

- *The Power Cycle alarm can provide notification when all input power to the DSM/CPM unit is lost and then restored. This alarm will not function in units that include dual power inlets. To provide notification when only one power input line is lost or disconnected, please use the Lost Voltage (Line In) Alarm as described in Section 9.9.*
- *In order for the DSM/CPM to provide alarm notification via Email, communication parameters must first be defined as described in Section 7.8.11.*
- *In order for the DSM/CPM to provide alarm notification via Syslog Message, Syslog parameters must first be defined and Syslog Messages must be enabled as described in Section 7.8.2 and Section 12.*
- *In order for the DSM/CPM to provide alarm notification via SNMP Trap, SNMP parameters must first be defined, and SNMP Traps must be enabled as described in Section 7.8.7 and Section 12.*

To configure the Power Cycle Alarm, you must access the DSM/CPM command mode using a password that permits Administrator Level commands. The Power Cycle Alarm configuration menu offers the following parameters:

- **Trigger Enable:** Enables/Disables the trigger for this alarm. When Disabled, this alarm will be suppressed. (Default = On)

Note:

- *When an alarm is generated, to cancel an alarm without correcting the condition that caused the alarm, simply toggle the Trigger Enable parameter Off and then back On again.*
 - *The Trigger Enable, Email Message and Address 1, 2 and 3 Parameters all include "Copy to All Triggers" options that allow you to enable/disable the corresponding parameter for all DSM/CPM alarms. For example, if the Power Cycle Alarm's Trigger Enable parameter is set to "On (Copy to All Triggers), then other DSM/CPM alarms will also be enabled.*
 - **Email Message:** Enables/Disables email notification for this alarm. (Default = On)
 - **Address 1, 2, and 3:** These parameters are used to select which of the three email addresses defined via the "Email Messages" menu (see Section 7.8.11) will receive the email alarm notification messages generated by this alarm. The Address parameters can be used to select one, or any combination of the addresses defined via the Email Messages menu. (Default = All On)
- Note:** *If Email addresses have been previously specified, then the text under the parameters will list the current, user defined email addresses.*
- **Subject:** This parameter is used to define the text that will appear in the "Subject" field for all email notification messages generated by this alarm. (Default = "Alarm: Power Cycle")

9.7. Buffer Threshold Alarm

The Buffer Threshold Alarm can provide notification when the amount of data stored in the buffer for a given serial port exceeds the Buffer Threshold value that has been defined for that port as described in Section 6.7.2. When the amount of data in the buffer for a given serial port exceeds the user-defined Buffer Threshold value, the DSM/CPM can provide notification via Email, Syslog Message or SNMP Trap.

Notes:

- *The Buffer Threshold Alarm can only be applied to serial ports that have been configured for Buffer Mode as described in Section 6.7.2.*
- *In order for the Buffer Threshold Alarm to function, you must first define the Buffer Threshold value for each desired serial port as described in Section 7.7.2.*
- *In order for the DSM/CPM to provide alarm notification via Email, communication parameters must first be defined as described in Section 7.8.11.*
- *In order for the DSM/CPM to provide alarm notification via Syslog Message, Syslog parameters must first be defined and Syslog Messages must be enabled as described in Section 7.8.2.*
- *In order for the DSM/CPM to provide alarm notification via SNMP Trap, SNMP parameters must first be defined, and SNMP Traps must be enabled as described in Section 7.8.7.*
- *If the Buffer Threshold Alarm is not enabled, the DSM/CPM can still send SNMP Traps to notify you when the amount of accumulated data at a buffer mode port exceeds the Buffer Threshold value, providing that SNMP Trap Parameters have been defined as described in Section 7.8.7.*

To configure the Buffer Threshold Alarm, access the DSM/CPM command mode using a password that permits Administrator Level commands and then set the Port Mode for the desired Serial Port to Buffer Mode and define the Buffer Threshold value for the port as described in Section 6.7.2. The Buffer Threshold Alarm configuration menu offers the following parameters:

- **Trigger Enable:** Enables/Disables the trigger for this alarm. When Disabled, this alarm will be suppressed. (Default = On)

Notes:

- *When an alarm is generated, to cancel an alarm without correcting the condition that caused the alarm, simply toggle the Trigger Enable parameter Off and then back On again.*
- *The Trigger Enable, Notify on Clear, Email Message and Address 1, 2 and 3 Parameters all include "Copy to All Triggers" options that allow you to enable/disable the corresponding parameter for all DSM/CPM alarms. For example, if the Buffer Threshold Alarm's Trigger Enable parameter is set to "On (Copy to All Triggers)", then other DSM/CPM alarms will also be enabled*
- **Resend Delay:** Determines how long the DSM/CPM will wait to resend an email message generated by this alarm, when the initial attempt to send the notification was unsuccessful. (Default = 60 Minutes)

- **Notify Upon Clear:** When this item is enabled, the DSM/CPM will send additional notification when the situation that caused the alarm has been corrected. For example, when Notify Upon Clear is enabled for the Buffer Threshold Alarm, the DSM/CPM will send initial notification when it detects that the amount of data stored in the buffer for a given serial port has exceeded the user-defined Buffer Threshold value, and then send a second notification when it determines that the amount of data in the buffer has fallen below the Buffer Threshold value. (Default = On)
- **Email Message:** Enables/Disables email notification for this alarm. (Default = On)
- **Address 1, 2, and 3:** These parameters are used to select which of the three email addresses defined via the "Email Messages" menu (see Section 7.8.11) will receive the email alarm notification messages generated by this alarm. The Address parameters can be used to select one, or any combination of the addresses defined via the Email Messages menu. (Default = All On)

Note: *If Email addresses have been previously specified, then the text under the parameters will list the current, user defined email addresses.*
- **Subject:** This parameter is used to define the text that will appear in the "Subject" field for all email notification messages generated by this alarm. (Default = "Alarm: Buffer Threshold")

9.8. The Plug Current Alarm (CPM-C Series Only)

The Plug Current Alarm allows you to monitor current consumption at each of the CPM-C's switched outlets and generate an alarm when current exceeds a user-defined "High" threshold or falls below a user-defined "Low" threshold. The Plug Current Alarm can also be applied to user-defined Plug Groups in order to generate an alarm when total current consumption for the given Plug Group rises too high or falls too low.

Note: *Current and Power Monitoring features are not available on DSM series units or CPM Series units that do not include the Current Metering option.*

If desired, the Plug Current Alarm can also be configured to automatically shut off individual plugs or user-defined Plug Groups, whenever current consumption rises above a user-defined threshold value.

To configure the Plug Current Alarm, access the CPM-C command mode using a password that permits Administrator Level commands and then use the Alarm Configuration menu to select the desired alarm feature. The Plug Current Alarm allows the following parameters to be defined:

- **Trigger Enable:** Enables/Disables the trigger for this alarm. When Disabled, this alarm will be suppressed. (Default = On)

Note:

- *When an alarm is generated, to cancel an alarm without correcting the condition that caused the alarm, simply toggle the Trigger Enable parameter Off and then back On again.*
- *The Trigger Enable, Notify on Clear, Email Message and Address 1, 2 and 3 Parameters all include "Copy to All Triggers" options that allow you to enable/disable the corresponding parameter for all other alarms. For example, if the Plug Current Alarm's Trigger Enable parameter is set to "On (Copy to All Triggers), then all other alarms will also be enabled.*
- **Plug Hysteresis:** This parameter can be used to prevent the Plug Current Alarm from generating excessive "Alarm" and "Clear" messages when current consumption fluctuates back and forth across the trigger value. Basically, the Plug Hysteresis parameter allows you to define a margin at both the Low Threshold and High Threshold that the current level must cross in order to clear an alarm. (Default = 0.5 Amps)

Plug Hysteresis Example: Assume that the Low Threshold for Outlet A1 is set at 5 Amps, the High Threshold is set at 12 Amps and the Plug Hysteresis value is set at 1 Amp. When the current goes high or low, the CPM-C will respond as follows:

- **Low Alarm:** If the current drops below 5 Amps, the CPM-C will generate an Alarm. The Alarm will not be cleared until the current rises above 6 Amps (5 Amp Low Threshold + 1 Amp Hysteresis Value = 6 Amps)
- **High Alarm:** If the current rises above 12 Amps, the CPM-C will generate an Alarm. The Alarm will not be cleared until the current drops below 11 Amps. (12 Amp High Threshold - 1 Amp Hysteresis Value = 11 Amps)

- **Plug Thresholds:** Defines current consumption level(s) that will trigger alarm(s) at each switched outlet. The Plug Thresholds can be configured to trigger an alarm when current consumption rises above a user-defined "High" value and/or when current consumption falls below a user-defined "Low" value. This allows you to define a "normal" current range for each outlet, allowing the Plug Current Alarm to be triggered whenever current consumption strays outside of this range. (Default = undefined)
- **Plug Group Thresholds:** Defines current consumption level(s) that will trigger alarm(s) for each user-defined Plug Group. The Plug Group Thresholds can be configured to trigger an alarm when total current consumption for a given Plug Group rises above a user-defined "High" value and/or when current consumption falls below a user-defined "Low" value. This allows you to define a "normal" current range for each Plug Group, allowing the Plug Current Alarm to be triggered whenever total current consumption for the Plug Group strays outside of this range. (Default = undefined)

Note: *In order to define Plug Group Thresholds, you must first define at least one Plug Group as described in Section 6.5.*

- **Plug "Off" Low Alarm:** Allows you to configure the "Low" current alarm to suppress triggering when an outlet is purposely switched Off. When this feature is "On", the CPM-C will generate a Low alarm whenever current drops below the Low threshold value, even if the current drop is due to an outlet being purposely switched Off. When this feature is "Off", the CPM-C will not generate a Low alarm due to a current drop caused by an outlet being switched Off. (Default = On)

Notes:

- *The Plug "Off" Low Alarm feature will also be applied to Plug Groups.*
- *When the Plug "Off" Low Alarm feature is enabled (On), the CPM-C will always generate a Low current alarm when current drops below the Low threshold value, even when the current drop was caused by one or more outlets in the Plug Group being purposely switched Off.*
- *When the Plug "Off" Low Alarm feature is disabled (Off), the CPM-C will not generate a Low current Alarm when a current drop is caused by all outlets in the Plug Group being purposely switched Off.*
- **Resend Delay:** Determines how long the CPM-C will wait to resend an email message generated by this alarm, when the initial attempt to send the notification was unsuccessful. (Default = 60 Minutes)
- **Notify Upon Clear:** When this item is enabled, the CPM-C will send additional notification when the situation that caused the alarm has been corrected. For example, when Notify Upon Clear is enabled, the CPM-C will send initial notification when it detects that a current consumption has risen above the defined "High" trigger value, and then send a second notification when it determines that current consumption has fallen below the "Low" trigger value. (Default = On)

- **Email Message:** Enables/Disables email notification for this alarm. (Default = On)
- **Address 1, 2, and 3:** These parameters are used to select which of the three email addresses defined via the "Email Messages" menu (see Section 7.8.11) will receive the email alarm notification messages generated by this alarm. The Address parameters can be used to select one, or any combination of the addresses defined via the Email Messages menu. (Default = All On)

Note: *If Email addresses have been previously specified, then the text under the parameters will list the current, user defined email addresses.*

- **Subject:** This parameter is used to define the text that will appear in the "Subject" field for all email notification messages generated by this alarm. (Default = "Alarm: Plug Current")
- **Plug Shedding:** Allows individual plugs to be automatically switched Off or left On when current consumption at the plug rises above the user-defined high Plug Threshold value. (Default = Leave On)

Note: *In order to enable Plug Shedding, you must first set the high Plug Threshold value for each desired plug.*

- **Plug Group Shedding:** Allows user-defined Plug Groups to be automatically switched Off or left On when current consumption by the Plug Group rises above the user-defined high Plug Group Threshold high. (Default = Leave On)

Note: *In order to enable Plug Group Shedding, you must first set the high Plug Group Threshold for each desired Plug Group.*

9.9. The Lost Voltage Alarm (Dual Power Inlet Units Only)

The Lost Voltage (Line Input) Alarm can provide notification when one of the two power supplies available to a dual power inlet unit is interrupted.

Notes:

- *The Lost Voltage (Line In) alarm is only available on DSM/CPM units that include dual power inlets. The Lost Voltage (Line In) Alarm is not available on units that include only one power inlet.*
- *The Lost Voltage (Line In) alarm will provide notification when one of the two available power supplies is lost or disconnected. This alarm will not function if all input power to the unit is lost. To provide notification when all input power is lost and restored, please use the Power Cycle Alarm as described in Section 9.6.*
- *In order for the DSM/CPM to provide alarm notification via Email, communication parameters must first be defined as described in Section 7.8.11.*
- *In order for the DSM/CPM to provide alarm notification via Syslog Message, Syslog parameters must first be defined and Syslog Messages must be enabled as described in Section 6.8.2 and Section 11.*
- *In order for the DSM/CPM to provide alarm notification via SNMP Trap, SNMP parameters must first be defined, and SNMP Traps must be enabled as described in Section 6.8.7 and Section 12.*

To configure the Lost Voltage (Line Input) Alarm, you must access the DSM/CPM command mode using a password that permits Administrator Level commands. The Lost Voltage Alarm Configuration menu offers the following parameters:

- **Trigger Enable:** Enables/Disables the trigger for this alarm. When Disabled, this alarm will be suppressed. (Default = On)

Note:

- *To cancel an alarm without correcting the condition that caused the alarm, simply toggle the Trigger Enable parameter Off and then back On again.*
- *The Trigger Enable, Notify Upon Clear, Email Message and Address 1, 2 and 3 Parameters all include "Copy to All Triggers" options that allow you to enable/disable the corresponding parameter for all DSM/CPM alarms. For example, if the Lost Voltage Alarm's Trigger Enable parameter is set to "On (Copy to All Triggers)", then all other DSM/CPM alarms will also be enabled.*
- **Resend Delay:** Determines how long the DSM/CPM will wait to resend an email message generated by this alarm, when the initial attempt to send the notification was unsuccessful. (Default = 60 Minutes)

- **Notify Upon Clear:** When enabled, the DSM/CPM will send additional notification when the situation that caused the alarm has been corrected. For example, when Notify Upon Clear is enabled, the DSM/CPM will send initial notification when it detects that one of its power supplies has been lost or disconnected, and then send a second notification when it determines that power has been restored. (Default = On)
- **Email Message:** Enables/Disables email notification for this alarm. (Default = On)
- **Address 1, 2, and 3:** These parameters are used to select which of the three email addresses defined via the "Email Messages" menu (see Section 6.8.11) will receive the email alarm notification messages generated by this alarm. The Address parameters can be used to select one, or any combination of the addresses defined via the Email Messages menu. (Default = All On)

Note: *If Email addresses have been previously specified, then the text under the parameters will list the current, user defined email addresses.*
- **Subject:** This parameter is used to define the text that will appear in the "Subject" field for all email notification messages generated by this alarm. (Default = "Alarm: Lost Voltage")

9.10. The Emergency Shutoff Alarm (CPM Series Units Only)

The Emergency Shutoff Alarm can provide notification when the CPM's Emergency Shutoff feature is triggered.

Notes:

- *The Emergency Shutoff Alarm is only available on CPM Series units.*
- *In order for the CPM to provide alarm notification via Email, communication parameters must first be defined as described in Section 6.8.11.*
- *In order for the CPM to provide alarm notification via Syslog Message, Syslog parameters must first be defined and Syslog Messages must be enabled as described in Section 6.8.2 and Section 11.*
- *In order for the CPM to provide alarm notification via SNMP Trap, SNMP parameters must first be defined, and SNMP Traps must be enabled as described in Section 6.8.7 and Section 12.*

To configure the Emergency Shutoff Alarm, you must access the CPM command mode using a password that permits Administrator Level commands. The Lost Voltage Alarm Configuration menu offers the following parameters:

- **Trigger Enable:** Enables/Disables the trigger for this alarm. When Disabled, this alarm will be suppressed. (Default = On)

Note:

- *To cancel an alarm without correcting the condition that caused the alarm, simply toggle the Trigger Enable parameter Off and then back On again.*
- *The Trigger Enable, Notify Upon Clear, Email Message and Address 1, 2 and 3 Parameters all include "Copy to All Triggers" options that allow you to enable/disable the corresponding parameter for all DSM/CPM alarms. For example, if the Lost Voltage Alarm's Trigger Enable parameter is set to "On (Copy to All Triggers), then all other DSM/CPM alarms will also be enabled.*
- **Resend Delay:** Determines how long the CPM will wait to resend an email message generated by this alarm, when the initial attempt to send the notification was unsuccessful. (Default = 60 Minutes)
- **Notify Upon Clear:** When enabled, the CPM will send additional notification when the situation that caused the alarm has been corrected. For example, when Notify Upon Clear is enabled, the CPM will send initial notification when it detects that the Emergency Shutoff function is initiated, and then send a second notification when the unit determines that power has been restored. (Default = On)

- **Email Message:** Enables/Disables email notification for this alarm. (Default = On)
- **Address 1, 2, and 3:** These parameters are used to select which of the three email addresses defined via the "Email Messages" menu (see Section 6.8.11) will receive the email alarm notification messages generated by this alarm. The Address parameters can be used to select one, or any combination of the addresses defined via the Email Messages menu. (Default = All On)

Note: *If Email addresses have been previously specified, then the text under the parameters will list the current, user defined email addresses.*

- **Subject:** This parameter is used to define the text that will appear in the "Subject" field for all email notification messages generated by this alarm. (Default = "Emergency Shutoff")

9.11. The No Dialtone Alarm

The No Dialtone Alarm enables the DSM/CPM to monitor a telephone line connected to an external modem installed at the DSM/CPM Setup Port, and then provide notification if the DSM/CPM detects that the phone line is dead or no dialtone is present.

When the No Dialtone Alarm is enabled the DSM/CPM will monitor the telephone line checking for a dialtone. If no dialtone is detected for the duration of the currently defined "Reset/No Dialtone Interval" value, the No Dialtone Alarm can provide notification via email using a network connection. In the event that the DSM/CPM unit is not connected to a network cable, the DSM/CPM will also create an entry in the Alarm Log, indicating that the No Dialtone Alarm has been triggered.

Notes:

- *In order for this alarm to function, the No Dialtone Alarm must first be enabled. In addition, the Reset/No Dialtone Interval and the Reset/No Dialtone Scaler must both be set to a value from 1 to 99. If the Reset/No Dialtone Interval and/or the Reset/No Dialtone Scaler are set to 0 (zero,) the No Dialtone Alarm will not function. To enable the No Dialtone Alarm and define the Reset/No Dialtone Interval and the Reset/No Dialtone Scaler value, please refer to Section 6.7.2.*
- *In order for the DSM/CPM to provide alarm notification via Email, communication parameters must first be defined as described in Section 6.8.11.*
- *In order for the DSM/CPM to provide alarm notification via Syslog Message, Syslog parameters must first be defined and Syslog Messages must be enabled as described in Section 6.8.2 and Section 11.*
- *In order for the DSM/CPM to provide alarm notification via SNMP Trap, SNMP parameters must first be defined, and SNMP Traps must be enabled as described in Section 6.8.7 and Section 12.*

The configuration menu for the No Dialtone Alarm allows the following parameters to be defined:

- **Trigger Enable:** Enables/Disables the trigger for this alarm. When Disabled, this alarm will be suppressed. (Default = On)

Note:

- *When an alarm is generated, to cancel an alarm without correcting the condition that caused the alarm, simply toggle the Trigger Enable parameter Off and then back On again.*
- *The Trigger Enable, Notify Upon Clear, Email Message and Address 1, 2 and 3 Parameters all include "Copy to All Triggers" options that allow you to enable/disable the corresponding parameter for all DSM/CPM alarms. For example, if the No Dialtone Alarm's Trigger Enable parameter is set to "On (Copy to All Triggers), then all other DSM/CPM alarms will also be enabled.*
- **Resend Delay:** Determines how long the DSM/CPM will wait to resend an email message generated by this alarm, when the initial attempt to send the notification was unsuccessful. (Default = 60 Minutes)

- **Notify Upon Clear:** When this item is enabled, the DSM/CPM will send additional notification when the situation that caused the alarm has been corrected. For example, when Notify Upon Clear is enabled, the DSM/CPM will send initial notification when it detects that the dialtone for the external modem has been lost, and then send a second notification when it determines that the dialtone has been restored. (Default = On)
 - **Email Message:** Enables/Disables email notification for this alarm. (Default = On)
 - **Address 1, 2, and 3:** These parameters are used to select which of the three email addresses defined via the "Email Messages" menu (see Section 6.8.11) will receive the email alarm notification messages generated by this alarm. The Address parameters can be used to select one, or any combination of the addresses defined via the Email Messages menu. (Default = All On)
- Note:** *If Email addresses have been previously specified, then the text under the parameters will list the current, user defined email addresses.*
- **Subject:** This parameter is used to define the text that will appear in the "Subject" field for all email notification messages generated by this alarm. (Default = "Alarm: No Dial Tone")

10. The Status Screens

The Status Screens are used to display status information about the DSM/CPM serial ports, switched outlets, Network Port, Plug Groups, Temperature Log, Alarm Log and Audit Log. The Status Screens are available via both the Text Interface and Web Browser Interface.

10.1. Product Status

The Product Status Screen lists the model number, power rating, product serial number and other information regarding the DSM/CPM unit. To display the Product Status Screen via the Text Interface, type `/J *` and then press **[Enter]**. To display the Product Status Screen via the Web Browser Interface, click on the "Product Status" link.

Note: *The Information provided by the Product Status Screen is intended mainly to assist WTI support personnel with the diagnosis of user equipment problems.*

10.2. The Network Status Screen

The Network Status screen shows activity at the DSM/CPM's virtual network ports. To view the Network Status Screen, you must access command mode using a password that permits access to Administrator Level commands.

To display the Network Status Screen via the Text Interface, type `/sn` and press **[Enter]**. To display the Network Status Screen via the Web Browser Interface, click on the Network Status link.

10.3. The Port Status Screen

The Port Status screen shows the current status of the Serial Ports, including the user-defined port name and port mode for each Serial Port, as well as the buffer count, connection status and the names of any user's currently accessing these ports.

Note:

- *In CPM Series units, the Port Status Screen is combined with a screen that lists Plug (Outlet) Status as described in Section 10.4.*
- *When Port Status is viewed by an account with "Administrator" or "SuperUser" command access, all DSM/CPM Serial Ports are listed.*
- *When Port Status is viewed by an account with "User" or "ViewOnly" command access, then the screen will list only the Serial Ports that are allowed by that account.*
- *The Port Status Screen also shows the current status of the DSM/CPM's Internal Modem Port.*

To view the Port Status Screen via the Text Interface, type `/s` and press **[Enter]**. To view the Port Status Screen via the Web Browser Interface, place the cursor over the "Port Status" link; when the flyout menu appears, click on the "Serial Port Status" link.

Notes:

- *On DSM-8 Series and CPM-800 Series units, Port 9 is the Internal Modem Port.*
- *On CPM-1600 Series units, Port 17 is the Internal Modem Port.*
- *On DSM-24 Series units, Port 25 is the Internal Modem Port.*
- *On DSM-40 Series units, Port 41 is the Internal Modem Port.*
- *The Modem Port is not present on DSM model numbers that include the letters "NM" or on CPM model numbers that end with the letter "N".*

10.4. The Port and Plug Status Screens (CPM Series Only)

On CPM Series units, the Port and Plug Status Screens will show the status of the both the serial ports and switched plugs. The Port Status screen lists the user-defined port name and port mode for each serial port, as well as the buffer count, connection status and the names of any user's currently accessing these ports. The Plug Status screen shows the On/Off status of the switched outlets, and lists user-defined Plug Names, Boot/Sequence Delay values, and Default On/Off settings.

Note:

- *On DSM Series units, Plug Status is not listed. Instead, DSM Series units will list only the Port Status, as described in Section 10.3.*
- *In the Text Interface, Port and Plug status for CPM series units is shown on a single screen. When the /S command is invoked, the Port Status Screen will be displayed first; press **[Enter]** to display the Plug Status Screen.*
- *In the Web Browser Interface, Port and Plug status for CPM series units is shown on two separate screens.*
- *When Port Status and Plug Status is viewed by an account with Administrator or SuperUser command access, all CPM Series serial ports and plugs are listed. When Port Status and Plug Status is viewed by an account with User or ViewOnly command access, then the screen will list only the serial ports and switched outlets that are allowed by that account.*
- *The Port and Plug Status screens also display the current temperature reading for the CPM Series unit.*
- *The Plug Status screen also shows the status of the Internal Modem Port.*

To display the Port and Plug Status Screen via the Text Interface, type /s and press **[Enter]**. To display the Port and Plug Status Screen via the Web Browser Interface, click on the "Port Status" link.

Note that when the /s command is invoked, the command line can also include arguments that display On/Off status for an individual outlet, two or more specific outlets, or a range of outlets:

- /S** Displays configuration details and ON/Off status for all switched outlets.
- /S s** Displays On/Off status for an individual outlet, where *s* is the name or number of the desired outlet.
- /S s+s** Displays On/Off status for two or more specific outlets, where *s* is the number or name of each desired outlet. A plus sign (+) is entered between each outlet number or name.
- /S s:s** Displays On/Off status for a range of outlets, where *s* is the number or name of the outlet at the beginning and end of the range of desired outlets. A colon (:) is entered between the two outlet numbers or names that mark the beginning of the range and the end of the range.

10.5. The Plug Group Status Screen (CPM Series Only)

On CPM Series units, the Plug Group Status screen can be displayed to show the configuration details and On/Off status for user-defined Plug Groups.

Notes:

- *The Plug Group Status Screen is not available on DSM Series units.*
- *When the Plug Group Status Screen is viewed by an account with Administrator or SuperUser command access, all plugs and plug groups can be shown. When the Plug Status Screen is viewed by an account with User or ViewOnly command access, then the unit will only display the plugs and plug groups that are allowed by that account.*
- *The procedure for defining parameters for individual plugs is described in Section 7.6. The procedure for defining Plug Groups is described in Section 7.5.*
- *In order to display the Plug Group Status screen, you must first define at least one Plug Group as described in Section 7.5.*

To display the Plug Group Status Screen via the Text Interface, type `/SG` and then press **[Enter]**. To display the Plug Group Status Screen via the Web Browser Interface, click on the "Plug Group Status" link and then select the desired Plug Group from the resulting subment and click on the "Get Plug Group Status" button.

Note: *The SNMP Index item (Text Interface Only) lists the permanent reference number that the CPM assigns to each Plug Group. The SNMP Index number allows MIB commands to be addressed to a specific Plug Group. The SNMP Index number will not change when other Plug Groups are deleted or created.*

10.6. The Current Metering Status Screen (CPM-C Series Only)

The Current Metering Status screen is primarily intended to be used to display up-to-date readings for Amps, Watts, Voltage and temperature for the CPM-C Series unit. To view the Current Metering Log screen, proceed as follows:

Note: *Current and Power Monitoring features are not available on standard DSM units or on CPM Series units that do not include the Current Monitoring option.*

In addition to displaying the Current Metering Status Screen, the /M command can also be used to display current, voltage and power readings for each switched outlet on CPM-C Series units. When the /M command is invoked, the command line can also include arguments that display the status of individual outlets, specific pairs of outlets or a range of outlets:

- /M Displays the Current Metering Status Screen.
- /M *s* Displays current, voltage and power readings for an individual plug or outlet, where *s* is the name or number of the desired outlet.
- /M *s+s* Displays current, voltage and power readings for two or more specific outlets, where *s* is the number or name of each desired outlet. A plus sign (+) is entered between each outlet number or name.
- /M *s:s* Displays current, voltage and power readings for a range of outlets, where *s* is the number or name of the outlet at the beginning and end of the range of desired outlets. A colon (:) is entered between the two outlet numbers or names that mark the beginning of the range and the end of the range.
- /M *a* Displays current, voltage and power readings for Branch A.
- /M *b* Displays current, voltage and power readings for Branch B.

Notes:

- *In the Text Interface, when current, voltage and power readings are displayed for a single outlet, pair of outlets or range of outlets, readings for each outlet specified will be displayed as four values separated by commas. Current will be displayed first, then voltage, then power.*
- *When Current Usage is reported as a percentage of maximum current, the value show will reflect the percentage of real maximum current used, rather than the percentage of de-rated maximum current used.*

To display the Current Metering Status Screen, proceed as follows:

- **Text Interface:** Type /M and press [Enter].
- **Web Browser Interface:** Place the cursor over the "Current Metering" link on the left hand side of the screen. When the fly-out menu appears, click on the "Current Metering Status" link.

10.7. The Event Logs

The Event Logs can be used to review recent user activity, alarm events and temperature trends that have been recorded by the DSM/CPM unit. In addition, CPM Series units that include the Current Metering option also offer the ability to review current and power consumption data. In order to view, download or erase the event logs, you must access command mode using a password that permits Administrator or SuperUser level commands.

10.7.1. Viewing Event Logs via the Text Interface

In the Text Interface, the event logs are accessed by typing `/L` and pressing **[Enter]**. In this case, the Display Logs menu offers the option to display the following event logs:

- **Audit Log:** The Audit Log provides a record of most command activity at the DSM/CPM unit, including port connections and disconnections, and login and logout activity. The Audit Log submenu offers the options to display, download or delete activity records.

Note: *In CPM Series units, the Audit Log will also list power switching operations.*

- **Alarm Log:** The Alarm Log provides a record of all events that were initiated by a DSM/CPM alarm function. The Alarm Log submenu offers the options to display, download or delete alarm records.
- **Current Metering Log:** (CPM Series with Current Metering Option Only) The Current Metering Log submenu allows you to display current consumption data for the CPM unit or for individual plugs, download the Current Metering Log in CSV or XML format, or delete the Current Metering Log.

Note: *The Current Metering Log is not available on DSM Series units or on CPM Series units that do not include the Current Metering Option.*

- **Power Metering Log:** (CPM Series with Current Metering Option Only) The power metering Log submenu allows you to display power consumption data for the CPM unit or for individual plugs, and download power metering data.

Note: *The Power Metering Log is not available on DSM Series units or on CPM Series units that do not include the Current Metering Option.*

- **Temperature Log:** The temperature log provides a record of DSM/CPM temperature readings.

Note: *The Temperature Log is not available on CPM Series units that include the Current Metering option; instead, temperature readings are listed in the Current History Log.*

10.7.2. Viewing Event Logs via the Web Browser Interface

In the Web Browser Interface, event logs are accessed via the links and flyout menus on the left hand side of the screen. When viewing the Event Logs via the Web Browser interface, use the Logs link, Current Metering link, Power Metering Link and Temperature link and their flyout menus to access the desired Event Log.

Notes:

- *The Current Metering Log and Power Metering Log are only available on CPM Series units that include the Current Metering Option.*
- *The Logs link allows you to display or download the Audit Log and/or Alarm Log in text format.*
- *The Current Metering link allows you to display the Current Metering Status Screen as described in Section 10.6 or display and/or download Current Metering History in ASCII, CSV or XML format.*
- *The Power Metering link allows you to display the Power Range Screen, or display and/or download the Power History Screen in ASCII, CSV or XML format.*

10.8. The Port Diagnostics Screen

The Port Diagnostics Screen provides more detailed information about each port. To display the Port Diagnostics Screen, access the Text Interface command mode and type `/SD [Enter]`.

Note: *The Port Diagnostics Screen is only available via the Text Interface.*

When the `/SD` command is invoked by an Administrator or SuperUser level account, the Port Diagnostics Screen will display the status of all ports. If the `/SD` command is invoked by a User or ViewOnly level account, then the Port Diagnostics Screen will only display the status of the ports that are specifically allowed by that account.

10.9. Alias Status Screen

The Alias Status Screen lists user defined IP aliases for each serial port, along with the user-defined name of each port and the currently selected Direct Connect setting for each serial port.

To display the Alias Status Screen via the Text Interface, type `/SA` and press **[Enter]**. To display the Alias Status Screen via the Web Browser Interface, place the cursor over the "Port Status" link on the left hand side of the screen, wait for the flyout menu to appear and then select "Alias Status" from the flyout menu.

When the Alias Status Screen is displayed by an Administrator or SuperUser level account, the screen will display the status of all ports. If Alias Status Screen is displayed by a User or ViewOnly level account, then the screen will only display the status of the ports specifically allowed by the account.

10.10. The Alarm Status Screen

The Alarm Status Screen lists all available user-defined alarms and indicates whether or not each alarm has been triggered. The resulting screen will display "Yes" (or 1) for alarms that have been triggered or "No" (or 0) for alarms that have not been triggered. If desired, the /AS command line can also include an optional alarm argument that will cause the unit to display the status of one individual alarm. For a list of alarm arguments, please refer to Section 18.3.1.

10.11. The Port Parameters Screens

The /W (Who) command displays more detailed information about an individual DSM/CPM port. Rather than listing general connection information for all ports, the Port Parameters screen lists all defined parameters for a specific port.

When the /W command is invoked by an Administrator or SuperUser level account, it can be used to display parameters for all DSM/CPM Serial Ports, plus the Network Port. If the /W command is invoked by a User or ViewOnly level account, then it will only display parameters for the Serial Ports that are specifically allowed for that account, and will not display parameters for the Network Port.

The /W command uses the following format:

/W xx [Enter]

Where **xx** is the desired port number. If the /W command is invoked at a serial port, by a user with access to Administrator or SuperUser level commands, then the letter "N" can be entered as the command argument to display parameters for the Network Port.

Note:

- *The Port Parameters screens are only available via the Text Interface.*
- *When the /W command is invoked by an Administrator level account which has accessed command mode via the Network Port , all Network Port Parameters will be displayed..*
- *When the /W command is invoked by a SuperUser level account which has accessed command mode via the Network Port, only the Sequence Disconnect, Logoff Character, and Accept Break option will be displayed.*

11. SSH & Telnet Functions

11.1. Network Port Numbers

Whenever an inbound SSH or Telnet session connects to a DSM/CPM serial port, the Port Status Screen and Port Diagnostics Screen will indicate that the serial port is presently connected to Port "**Nn**" (where "**N**" indicates a network connection, and "**n**" is a number that lists the logical Network Port being used; for example, "**N11**".) This "**Nn**" number is referred to as the logical Network Port Number.

11.2. SSH Encryption

The DSM/CPM supports SSH connections, which provide secure, encrypted access via network. In order to communicate with the DSM/CPM using SSH protocol, your network node must include an appropriate SSH client.

Note that when the /K (Send SSH Key) command is invoked, the DSM/CPM can also provide you with a public SSH key, which can be used to streamline connection to the DSM/CPM when using SSH protocol.

Although you can establish an SSH connection to the unit *without* the public key, the public key provides validation for the DSM/CPM, and once this key is supplied to the SSH client, the client will no longer display a warning indicating that the DSM/CPM is not a recognized user when the client attempts to establish a connection.

The /K command uses the following format:

/K <k> [Enter]

Where **k** is an argument that determines which type of public key will be displayed. The **k** argument offers the following options:

1. SSH1
2. SSH2 RSA
3. SSH2 DSA

For example, to obtain the public SSH key for an SSH2 RSA client, type /K 2 and then press [Enter].

Note: *Although the DSM/CPM does not support SSH1, the /K 1 command will still return a key for SSH1.*

11.3. The Direct Connect Feature

The Direct Connect feature allows you to initiate a Telnet, SSH or Raw Socket session with the DSM/CPM and make an immediate connection to a specific serial port of your choice, without first being presented with the command interface. This allows you to connect to a TCP port that is mapped directly to one of the DSM/CPM's serial ports.

Direct Connect employs unique, pre-assigned TCP port numbers for each serial port. The user connects to the port of choice by including the associated TCP port number in the SSH or Telnet connect command line. The Direct Connect feature can be individually configured at each serial port and can be used to connect to Any-to-Any, Passive, Buffer, or Modem Mode ports.

11.3.1. Standard Telnet Protocol, SSH and Raw Socket

The Direct Connect feature allows you to establish port connections using either Standard Telnet Protocol, SSH encryption or Raw Socket. When Standard Telnet Protocol is used, the DSM/CPM will respond to all IACs.

When configuring a serial port to allow Direct Connections using SSH protocol, note that the Direct Connect option (Port Configuration Menu, Item 31), must be set to "On - Password" as described in Section 11.3.2.

When configuring a serial port to allow Direct Connections using either Standard Telnet or Raw Socket Mode, note that the Direct Connect option (Port Configuration Menu, Item 31) may be set to either "On - Password" or "On - No Password".

11.3.2. Configuration

The Direct Connect Function is configured on a per port basis using the Port Configuration Menus (*/P nn*), item 31, "Direct Connect". The following options are available:

1. **OFF:** Direct Connect disabled at this port. (Default)
2. **ON - NO PASSWORD:** The Direct Connect feature is enabled at this port, but no password is required in order to connect to the port.
 - a) When the connection is established, the user is immediately connected directly to the specified port, and the client is notified at the TCP level.
 - b) This option is intended for situations where security is provided by the attached device.

Note: *The SSH Direct Connection function is disabled when the "On - No Password" option is selected.*

3. **ON - PASSWORD:** The Direct Connect feature is enabled at this port, but a password must be entered before a Direct Connection is established.
 - a) Upon login, the DSM/CPM will prompt for a username and password. If a valid username/password is entered, the DSM/CPM will return a message which confirms the connection and lists the name and number of the port (providing the user account allows access to the target port.)
 - b) If a valid username / password is not entered in 30 seconds or three attempts, the port will timeout and disconnect.

4. **OFF - Break on Raw Disconnect:** When the Direct Connect option has been enabled as described in Steps 2 or 3 above, this option can be used to configure the DSM/CPM to send a break character whenever a Raw Socket connection to this port is terminated. As described below, the Break on Raw Disconnect option will work when the password feature is either enabled or disabled as described below:
- a) **Password Disabled:** To employ the Break on Raw Disconnect option with the Direct Connect password disabled, proceed as follows:
 - i. Access the Serial Port configuration menu for the desired DSM/CPM serial port, and then use the Direct Connect option to select the "On - No Password" option. After "On - No Password" is selected, the menu will return to the Serial Port configuration screen.
 - ii. Use the Direct Connect option to select the "Break on Raw Disconnect" parameter. After "Break on Disconnect" is selected, the menu will return to the Direct Connect configuration screen. Note that at this point, the prompt for the "Break on Disconnect" option will read "On - Break on Disconnect", indicating that both the Direct Connect feature and the Break on Disconnect feature are enabled.
 - a) **Password Enabled:** To employ the Break on Raw Disconnect option with the Direct Connect password enabled, proceed as follows:
 - i. Access the Serial Port configuration menu for the desired DSM/CPM serial port, and then use the Direct Connect option to select the "On - Password" option. After "On - Password" is selected, the menu will return to the Serial Port configuration screen.
 - ii. Use the Direct Connect option to select the "Break on Raw Disconnect" parameter. After "Break on Disconnect" is selected, the menu will return to the Direct Connect configuration screen. Note that at this point, the prompt for the "Break on Disconnect" option will read "On - Break on Disconnect", indicating that both the Direct Connect feature and the Break on Disconnect feature are enabled.

Notes:

- *If you intend to create "Raw Socket" connections to DSM/CPM serial ports, then the "Raw Socket Access" feature must also be enabled at the Network Port, as described in Section 7.8.1.*
- *If you intend to use SSH to establish direct connections to the DSM/CPM, the "Direct Connect ON - PASSWORD" option must be selected.*
- *If Administrator level commands are disabled at the Network Port, then accounts that permit Administrator level commands will not be able to initiate a Direct Connection.*
- *If Administrator level commands are enabled at the Network Port, then accounts with Administrator level access and accounts without Administrator level access will both be allowed to establish Direct Connections.*
- *If your user account does not permit access to the target port, the connection will be refused.*

11.3.3. Connecting to a Serial Port using Direct Connect

Direct Connect TCP port numbers are as follows:

1. Standard Telnet Direct Connection (with Password):

- a) DSM-8 Series and CPM-800 Series units:
 - Serial Ports: TCP port numbers 2101 through 2108.
 - Optional Internal Modem Port: TCP port number 2109.
- b) CPM-1600 Series units:
 - Serial Ports: TCP port numbers 2101 through 2116.
 - Optional Internal Modem Port: TCP port number 2117.
- c) DSM-24 Series units:
 - Serial Ports: TCP port numbers 2101 through 2124.
 - Optional Internal Modem Port: TCP port number 2125.
- d) DSM-40 Series units:
 - Serial Ports: TCP port numbers 2101 through 2140.
 - Optional Internal Modem Port: TCP port number 2141.

2. Standard Telnet Direct Connection (without Password):

- a) DSM-8 Series and CPM-800 Series units:
 - Serial Ports: TCP port numbers 2301 through 2308.
 - Optional Internal Modem Port: TCP port number 2309.
- b) CPM-1600 Series units:
 - Serial Ports: TCP port numbers 2301 through 2316.
 - Optional Internal Modem Port: TCP port number 2317.
- c) DSM-24 Series units:
 - Serial Ports: TCP port numbers 2301 through 2324.
 - Optional Internal Modem Port: TCP port number 2325.
- d) DSM-40 Series units:
 - Serial Ports: TCP port numbers 2301 through 2340.
 - Optional Internal Modem Port: TCP port number 2341.

3. SSH Direct Connection (with Password):

- a) DSM-8 Series and CPM-800 Series units:
 - Serial Ports: TCP port numbers 2201 through 2208.
 - Optional Internal Modem Port: TCP port number 2209.
- b) CPM-1600 Series units:
 - Serial Ports: TCP port numbers 2201 through 2216.
 - Optional Internal Modem Port: TCP port number 2217.
- c) DSM-24 Series units:
 - Serial Ports: TCP port numbers 2201 through 2224.
 - Optional Internal Modem Port: TCP port number 2225.
- d) DSM-40 Series units:
 - Serial Ports: TCP port numbers 2201 through 2240.
 - Optional Internal Modem Port: TCP port number 2241.

4. Raw Socket Direct Connection (with Password):

- a) DSM-8 Series and CPM-800 Series units:
 - Serial Ports: TCP port numbers 3101 through 3108.
 - Optional Internal Modem Port: TCP port number 3109.
- b) CPM-1600 Series units:
 - Serial Ports: TCP port numbers 3101 through 3116.
 - Optional Internal Modem Port: TCP port number 3117.
- c) DSM-24 Series units:
 - Serial Ports: TCP port numbers 3101 through 3124.
 - Optional Internal Modem Port: TCP port number 3125.
- d) DSM-40 Series units:
 - Serial Ports: TCP port numbers 3101 through 3140.
 - Optional Internal Modem Port: TCP port number 3141.

5. Raw Socket Direct Connection (without Password):

- a) DSM-8 Series and CPM-800 Series units:
 - Serial Ports: TCP port numbers 3301 through 3308.
 - Optional Internal Modem Port: TCP port number 3309.
- b) CPM-1600 Series units:
 - Serial Ports: TCP port numbers 3301 through 3316.
 - Optional Internal Modem Port: TCP port number 3317.
- c) DSM-24 Series units:
 - Serial Ports: TCP port numbers 3301 through 3324.
 - Optional Internal Modem Port: TCP port number 3325.
- d) DSM-40 Series units:
 - Serial Ports: TCP port numbers 3301 through 3340.
 - Optional Internal Modem Port: TCP port number 3341.

Note: *In order to create a Raw Socket Direct Connection, the "Raw Socket Access" parameter for the Network Port must be enabled as described in Section 7.8.1.*

When establishing a Direct Connection, the correct TCP port number must be used. If conditions are acceptable (e.g. Target Port must be free and properly configured), an immediate connection will be made, with one possible exception; password entry may first be required depending on configuration settings.

Note: *When a Direct Connect attempt fails because the Port is busy, the call is rejected at the TCP level.*

Connection Example

1. Assume that Port 8 is configured as described in Section 11.3.2. If the DSM/CPM's IP address is "1.2.3.4", and you wish to establish a standard Telnet protocol connection with port 8 (TCP Port Number 2108), then on a UNIX system, the connect command would be invoked as follows:

```
$ telnet 1.2.3.4 2108 [Enter]
```

2. The DSM/CPM will first send the site ID, Port Number, Port Name, and Telnet Port number, and then once a connection is established, the "Connected" message will be sent.

11.3.4. Terminating a Direct Connect Session

To terminate a Direct Connect session, use the client program's "disconnect" feature. The following will occur immediately upon a client initiated disconnect:

1. The Network port is disconnected from the serial port.
2. The Network session is terminated.
3. The serial port is put to sleep.

Notes:

- *The Sequence Disconnect Command, which is defined via the Port Configuration menus, cannot be used to terminate a Direct Connection.*
- *Any DSM/CPM port that allows Administrator or SuperUser level commands can terminate a direct connection at another port by issuing the Text Interface's /D command as described in Section 6.2.1.2 or via the Web Browser Interface's Port Control Screen as described in Section 6.2.1.3.*
- *Acknowledgment of data received by the DSM/CPM network port does not automatically indicate that the data has been completely sent out the serial port. Data may still be queued in DSM/CPM buffers. Any data queued at the time of a client initiated disconnect is discarded, and is not passed to the attached device.*

11.4. IP Aliasing

In addition to the Direct Connect function described in Section 11.3, the DSM/CPM also supports IP Aliasing, which provides another method for connecting directly to any serial port on the unit without first accessing the command interface. IP Aliasing allows you to assign an IP address to a DSM/CPM serial port, and then connect to that port directly via Telnet, SSH or Raw Socket.

In order to configure DSM/CPM serial ports for IP Aliasing, you must first access the Serial Port Configuration menu for the desired port(s) as described in Section 7.7.2. In addition, you must also set the Direct Connect feature to either "On - Password" or "On - No Password" as described in Section 7.7.2.

Once a DSM/CPM serial port has been configured as described above, users can connect to the port in the same manner that would be used to establish a connection with any other IP address. For example, if the serial port IP Alias was set to "1.2.3.4" then users would be able to connect to the port using the following connect command:

```
$ telnet 1.2.3.4 [Enter]
```

Notes:

- *The IP Alias feature is only available when the Direct Connect feature is set to "On - Password" or "On - No Password."*
- *To display the assigned IP Alias for each serial port via the Text Interface, type /SA and press [Enter].*
- *To display the IP Alias status via the Web Browser Interface, place the cursor over the "Port Status" link on the left hand side of the screen, wait for the flyout menu to appear and then click on the "Alias Status" link.*

11.5. Creating an Outbound Telnet Connection

The DSM/CPM includes a `/TELNET` command, that can be used to create an outbound Telnet connection. In order to use the `/TELNET` command, you must access the DSM/CPM's Text Interface command mode using an account that permits Telnet Access and Outbound Access, via one of the DSM/CPM's Serial RS232 Ports as described below.

Notes:

- *In order for the `/TELNET` command to function, Telnet Access and Outbound Service Access must be enabled for your user account as described in Section 7.4.*
- *The `/TELNET` command is only available via the Text Interface.*
- *If you have logged in via the Network Port, the `/TELNET` command will not function unless Outbound Access has been enabled as described in Section 7.8.1.*

To create an outbound Telnet connection, access the Text Interface via a free Serial Port, using an account that permits Telnet Access and Outbound Access and then invoke the `/TELNET` command using the following format:

```
/TELNET <ip> [port] [raw] [Enter]
```

Where:

- ip** Is the target IP address.
- port** Is an optional argument which can be included to indicate the target port at the IP address.
- raw** Is an optional argument which can be included to indicate a raw socket connection. In order to create a raw socket connection, the command line must end with the text "**raw**".

For example, to create a raw socket, outbound Telnet connection to port 2000 at IP Address 255.255.255.255, access the Text Interface command mode via a free DSM/CPM Serial Port using an account that permits Telnet Access and Outbound Access and invoke the `TELNET` command as follows:

```
/TELNET 255.255.255.255 2000 raw [Enter]
```

11.6. Creating an Outbound SSH Connection

The DSM/CPM's /SSH command can be used to create an outbound SSH connection. In order to use the /SSH command, you must access the DSM/CPM's Text Interface command mode using an account that permits SSH Access and Outbound Access, via one of the DSM/CPM's Serial RS232 Ports as described below.

Notes:

- *In order for the /SSH command to function, SSH Access and Outbound Service Access must be enabled for your user account as described in Section 7.4.*
- *The /SSH command is only available via the Text Interface.*
- *If you have logged in via the Network Port, the /SSH command will not function.*

To create an outbound SSH connection, access the Text Interface via a free Serial Port, using an account that permits SSH Access and Outbound Access and then invoke the /SSH command using the following format:

```
/SSH <ip> -l <username> [Enter]
```

Where:

ip Is the target IP address.

-l (Lowercase letter "l") Indicates that the next argument will be the log on name.

username Is the username that you wish to use to log in to the target device.

For example, to create an outbound SSH connection to a device at IP Address 255.255.255.255, with the username "employee", access the Text Interface command mode via a free DSM/CPM Serial Port using an account that permits SSH Access and Outbound Access and invoke the SSH command as follows:

```
/SSH 255.255.255.255 -l employee [Enter]
```

12. Syslog Messages

The Syslog feature can create log records of each Alarm Event. As these event records are created, they are sent to a Syslog Daemon, located at an IP address defined via the Network Parameters menu.

12.1. Configuration

In order to employ this feature, you must set the real-time clock and calendar via the System Parameters Menu, and define the IP address for the Syslog Daemon via the Network Port Configuration menu.

To configure the Syslog function, please proceed as follows:

1. **Access command mode:** Note that the following configuration menus are only available to accounts that permit Administrator level commands.
2. **System Parameters Menu:** Access the System Parameters Menu as described in Section 7.2, then set the following parameters:
 - a) **Set Clock and Calendar:** Set the Real Time Clock and Calendar and/or configure and enable the NTP server feature.
3. **Network Parameters Menu:** Access the Network Parameters Menu as described in Section 7.8, then set the following parameters:
 - a) **Syslog IP Address:** Determine the IP address for the device that will run the Syslog Daemon, then use the Network Port Configuration menu to define the IP address for the Syslog Daemon.

Notes:

- *The Network Parameters Menu allows the definition of IP addresses for both a primary Syslog Daemon and an optional secondary Syslog Daemon.*
 - *The Syslog Address submenu in the Text Interface includes a Ping Test function that can be used to ping the user-selected Syslog IP Address to verify that a valid IP address has been entered. In order for the Ping Test feature to function, your network and/or firewall must be configured to allow ping commands.*
4. **Syslog Daemon:** In order to capture messages sent by the DSM/CPM, a computer must be running a Syslog Daemon (set to UDP Port 514) at the IP address(es) specified in Step 3 above.

Once the Syslog Address is defined, Syslog messages will be generated whenever one of the alarms discussed in Section 9 is triggered.

13. SNMP Traps

The SNMP Trap function allows the DSM/CPM to send Alarm Notification messages to two different SNMP managers, each time one of the Alarms discussed in Section 9 is triggered.

Note:

- *The SNMP feature cannot be configured via the SNMP Manager.*
- *SNMP reading ability is limited to the System Group.*
- *The SNMP feature includes the ability to be polled by an SNMP Manager.*
- *Once SNMP Trap Parameters have been defined, SNMP Traps will be sent each time an Alarm is triggered and/or when a Buffer Mode serial port reaches the user-defined Buffer Threshold value. For more information on Alarm Configuration, please refer to Section 9.*

13.1. Configuration:

To configure the SNMP Trap function, proceed as follows:

1. Access command mode using an account that permits access to Administrator level commands.
2. **Serial Port Parameters:** If you wish to generate SNMP Traps that will notify you when a Buffer Mode Port buffer reaches the user-defined Buffer Threshold, access the Serial Port Parameters menu for the desired port as described in Section 7.7. Set the following:
 - a) **Port Mode:** Make certain that the Port Mode is set to Buffer Mode.
 - b) **SNMP Trap Level:** Set the SNMP Trap Level to the desired value. The SNMP Trap Level determines how much data must accumulate in a given port buffer in order to generate and SNMP Trap.

Notes:

- *It is only necessary to set the SNMP Trap Level when you wish to generate SNMP Traps to notify you when data has accumulated in a port buffer. If you only wish to generate SNMP Traps to notify you when an alarm has been triggered, it is not necessary to set the SNMP Trap Level.*
- *If you only wish to generate SNMP Traps to notify you when an Over Temperature Alarm, Lost Communications Alarm, Ping No Answer Alarm, Invalid Access Alarm or Power Cycle Alarm has been triggered, it is not necessary to set the Buffer Threshold parameter.*

3. **SNMP Trap Parameters:** Access the SNMP Trap Parameters Menu as described in Section 7.8.5. Set the following:
- a) **SNMP Managers 1 and 2:** The address(es) that will receive SNMP Traps that are generated by one of the Alarms discussed in Section 9. Consult your network administrator to determine the IP address(es) for the SNMP Manager(s), then use the Network Parameters menu to set the IP address for each SNMP Manager. Note that it is not necessary to define both SNMP Managers.

Notes:

- *To enable the SNMP Trap feature, you must define at least one SNMP Manager. SNMP Traps are automatically enabled when at least one SNMP Manager has been defined.*
- *The SNMP Trap submenu includes a Ping Test function that can be used to ping the user-selected SNMP Managers to verify that a valid IP address has been entered. In order for the Ping Test feature to function, your network and/or firewall must be configured to allow ping commands.*
- *Addresses for SNMP Managers can be defined in either IPv4 or IPv6 format, as described in Section 7.8.4.*

- b) **Trap Community:** Consult your network administrator, and then use the Network Parameters menus to set the Trap Community.

Once SNMP Trap Parameters have been defined, the DSM/CPM will send an SNMP Trap each time an alarm is triggered.

14. Operation via SNMP

If SNMP Access Parameters have been defined as described in Section 7.8.4, then you will be able to manage user accounts, control power and reboot switching and display unit status via SNMP. This section describes SNMP communication with the DSM/CPM unit, and lists some common commands that can be employed to manage users, control switching and reboot actions and display unit status.

14.1. DSM/CPM SNMP Agent

The DSM/CPM's SNMP Agent supports various configuration, control, status and event notification capabilities. Managed objects are described in the WTI-CONSOLE-MIB.txt document, which can be found on the WTI web site (<http://www.wti.com>). This MIB document can be compiled for use with your SNMP client.

14.2. SNMPv3 Authentication and Encryption

The major limitations of SNMPv2 were the failure to include proper username/password login credentials (v2 only used a password type of login, i.e., community name) and the exclusion of encryption for data moving over the internet. SNMPv3 addresses both of these shortcomings.

For SNMPv3, the DSM/CPM supports two forms of Authentication/Privacy: Auth/noPriv which requires a username/password, but does not encrypt data going over the internet and Auth/Priv which requires a username/password AND encrypts the data going over the internet using DES (AES is not supported at this time). For the Password protocol, the DSM/CPM supports either MD5 or SHA1.

14.3. Configuration via SNMP

DSM/CPM User accounts can be viewed, created, modified, and deleted via SNMP. User accounts are arranged in a table of 128 rows, and indexed 1-128. User account parameters, as seen through the SNMP, are summarized below.

- **userTable::userName** – 32 character username
- **userTable::userPasswd** – 16 character password
- **userTable::userAccessLevel** – Account access level.
 - 0 – View Only Access
 - 1 – User Access
 - 2 – SuperUser Access
 - 3 – Administrator Access
- **userTable::userPlugAccess** – (CPM Series Units Only) A string of up to 16 characters, with one character for each of the 16 possible plugs on the CPM unit. A '0' indicates that the account **does not** have access to the plug, and a '1' indicates that the user *does* have access to the plug.
- **userTable::userPortAccess** – A string of up to 41 characters, with one character for each of the possible serial ports on the DSM/CPM unit. A '0' indicates that the account **does not** have access to the port, and a '1' indicates that the user *does* have access to the port.

Note: *The number of ports specified in the userPortAccess string must not exceed the number of serial ports available on your DSM/CPM unit. If the userPortAccess string specifies more serial ports than are available on the unit, an error message will be generated.*

- **userTable::userGroupAccess** – (CPM Series Units Only) A string of 54 characters, with one character for each of the 54 possible plug groups in the system. A '0' indicates that the account **does not** have access to the plug group, and a '1' indicates that the user *does* have access to the plug group.
- **userTable::userSerialAccess** – Access to the serial interface
 - 0 – No access
 - 1 – Access
- **userTable::userTelnetSshAccess** – Access to the Telnet/SSH interface
 - 0 – No access
 - 1 - Access
- **userTable::userOutboundTelSshAccess** – Access to Outbound Telnet/SSH
 - 0 – No access
 - 1 - Access
- **userTable::userWebAccess** – Access to the Web interface
 - 0 – No access
 - 1 - Access
- **userTable::userCallbackNum** – 32 character callback number for account
- **userTable::userSubmit** – Set to 1 to submit changes.

14.3.1. Viewing Users

To view users, issue a GET request on any of the user parameters for the index corresponding to the desired user.

14.3.2. Adding Users

For an empty index, issue a SET request on the desired parameters. Minimum requirement is a username and password to create a user, all other parameters will be set to defaults if not specified. To create the user, issue a SET request on the userSubmit object.

14.3.3. Modifying Users

For the index corresponding to the user you wish to modify, issue a SET request on the desired parameters to be modified. Once complete, issue a SET request on the userSubmit object.

14.3.4. Deleting Users

For the index corresponding to the user you wish to delete, issue a SET request on the username with a blank string. Once complete, issue a SET request on the userSubmit object.

14.4. Plug Control via SNMP

14.4.1. Controlling Plugs

Note: Power Control features are not present on DSM Series units. The power control functions described here are only available on CPM Series units.

ON, OFF, BOOT, and DEFAULT commands can be issued for plugs via SNMP. Plugs are arranged in a table of N rows, where N is the number of plugs in the system. Plug parameters are described below.

- **plugTable::plugID** – String indicating the plug's ID
- **plugTable::plugName** - String indicating the plug's user-defined name.
- **plugTable::plugStatus** – Current state of the plug
 - 0 – Plug is OFF
 - 1 – Plug is ON
- **plugTable::plugAction** – Action to be taken on plug
 - 1 – Mark to turn ON (does not execute)
 - 2 – Mark to turn OFF (does not execute)
 - 3 – Mark to BOOT (does not execute)
 - 4 – Mark to DEFAULT (does not execute)
 - 5 – Mark to turn ON and execute plug actions
 - 6 - Mark to turn OFF and execute plug actions
 - 7 - Mark to BOOT and execute plug actions
 - 8 - Mark to DEFAULT and execute plug actions

Set **plugTable::plugAction** to desired action, as specified by values 1-4 above, for each plug index the action is to be applied to. For the last plug you wish to set before executing the commands, use values 5-8 instead, which will invoke the requested commands all at once.

14.4.2. Controlling Plug Groups

Note: *Power Control features are not present on DSM Series units. The power control functions described here are only available on CPM Series units.*

ON, OFF, BOOT, and DEFAULT commands can be issued for plug groups via SNMP. Plug groups are arranged in a table of 54 rows, one row for each plug group in the system. Plug Group parameters are described below.

- **plugGroupTable::plugGroupName** – String indicating the plug groups name
- **plugGroupTable::plugGroupAction** – Action to be taken on plug group
 - 1 – Mark to turn ON (does not execute)
 - 2 – Mark to turn OFF (does not execute)
 - 3 – Mark to BOOT (does not execute)
 - 4 – Mark to DEFAULT (does not execute)
 - 5 – Mark to turn ON and execute plug group actions
 - 6 – Mark to turn OFF and execute plug group actions
 - 7 – Mark to BOOT and execute plug group actions
 - 8 – Mark to DEFAULT and execute plug group actions

Set **plugGroupTable::plugGroupAction** to desired action, as specified by values 1-4 above, for each plug group index the action is to be applied to. For the last plug group you wish to set before executing the commands, use values 5-8 instead, which will invoke the requested commands all at once.

14.5. Configuring Serial Ports

Commands can be issued to set certain serial port configuration parameters via SNMP. Ports are arranged in a table of up to 41 rows, with one row for each possible serial port. Serial port parameters are described below.

- **portTable::portID** – String indicating the serial port's ID
- **portTable::portThreshold** – An integer that sets the serial port's Buffer Threshold value. If this value is set between 1 and 32,757, then the SNMP trap function is enabled and traps will be sent to the SNMP Managers whenever the buffer for this port reaches the specified level. If set to "0" (zero), then SNMP Traps related to the Buffer Threshold will be disabled at this port.
- **portTable::portStatus** - Shows the connection status of each port. If a port is connected, the portStatus object will return the number of the other port in the connection pair.
 - **free** - Disconnect port.

14.6. Viewing Unit Status via SNMP

Status of various components of the DSM/CPM can be retrieved via SNMP. Plug Status, and Environmental Status are currently supported.

14.6.1. System Status - Ethernet Port MAC Addresses

Note: *Ethernet Port 1 is only available on DSM/CPM units that include the optional, secondary Ethernet Port. To display the Ethernet Port MAC Address for units that include only one Ethernet Port, use the `environmentMacEth0` option.*

The MAC Address for Ethernet Ports 0 and 1 can be displayed using the command below:

- `environmentUnitTable::environmentMacEth0` The MAC Address for Ethernet Port 0.
- `environmentUnitTable::environmentMacEth1` The MAC Address for Ethernet Port 1.

14.6.2. Plug Status

Note: *Power Control features are not present on DSM Series units. The power control functions described here are only available on CPM Series units.*

The status of each plug in the system can be retrieved using the command below.

- `plugTable::plugStatus` – The status of the plug.
 - 0 – Plug is OFF
 - 1 – Plug is ON

14.6.3. Unit Temperature Status

The temperature status can be retrieved for various variables for the DSM/CPM unit. The `environmentUnitTable` contains one row.

- `environmentUnitTable::environmentUnitTemperature` – The temperature of the DSM/CPM unit.
- `environmentUnitTable::environmentUnitName` – Returns the specific model number for the DSM/CPM unit.

14.6.4. Alarm Status

The status of the DSM/CPM unit's alarm functions can be retrieved and displayed using the following commands:

Notes:

- *When an alarm status command returns a zero (0), this indicates that the alarm is inactive.*
- *When an alarm status command returns a one (1), this indicates that the alarm is active (triggered.)*
- **alarmTables::alarmOverCurrentInitial** - (CPM-C Series Only) Displays the status of the Over Current (Initial) Line Alarm.
- **alarmTables::alarmOverCurrentCritical** - (CPM-C Series Only) Displays the status of the Over Current (Critical) Line Alarm.
- **alarmTables::alarmOverTemperatureInitial** - Displays the status of the Over Temperature (Initial) Alarm.
- **alarmTables::alarmOverTemperatureCritical** - Displays the status of the Over Temperature (Critical) Alarm.
- **alarmTables::alarmCommLoss** - Displays the status of the Lost Communication Alarm.
- **alarmTables::alarmPingNoAnswer** - Displays the status of the Ping-No-Answer Alarm.
- **alarmTables::alarmInvalidAccessLockout** - Displays the status of the Serial Port Invalid Access Lockout Alarm.
- **alarmTables::alarmPowerCycle** - Displays the status of the Power Cycle Alarm.
- **alarmTables::alarmBufferThreshold** - Displays the status of the Buffer Threshold Alarm.
- **alarmTables::alarmPlugCurrent** - (CPM-C Series Units Only) Displays the status of the Plug Current Alarm.
- **alarmTables::alarmLostOptoVoltage** - (Units with Dual Power Inlets Only) Displays the status of the Lost Voltage Alarm.
- **alarmTables::alarmNoDialtone** - Displays the status of the No Dialtone Alarm.
- **alarmTables::alarmEmergencyShutoff** - (CPM Series Units Only) Displays the status of the Emergency Shut Off feature. For more information regarding the Emergency Shut Off feature, please contact WTI Tech Support at service@wti.com.

14.7. Sending Traps via SNMP

Traps that report various unit conditions can be sent to an SNMP Management Station from the DSM/CPM. The following traps are currently supported.

- **WarmStart** Trap – Trap indicating a warm start
- **ColdStart** Trap – Trap indicating a cold start
- **Test** Trap – Test trap invoked by user via the Text Interface (CLI)

The DSM/CPM can send an SNMP trap to notify you when any of the available DSM/CPM alarm functions have been triggered. In all cases except the Power Cycle Alarm, there will be one trap sent when the alarm is triggered, and a second trap sent when the alarm is cleared. For more information on alarm functions, please refer to Section 9.

- **Alarm** Trap – Trap indicating an alarm condition. A trap with a unique enterprise OID is defined for the Invalid Access Lockout Alarm, under which specific trap-types are defined to indicate the setting or clearing of that particular alarm condition. There are separate traps for the Invalid Access Lockout Alarm. The Alarm includes a "Set Trap," which indicates that the alarm has been triggered, and a "Clear Trap," which indicates that the alarm has been cleared.
- **overCurrentInitialSetTrap** - (CPM-C Series Units Only) Indicates that the Over Current (Initial) Alarm has been triggered.
- **overCurrentInitialClearTrap** - (CPM-C Series Units Only) Indicates that the Over Current (Initial) Alarm has been cleared.
- **overCurrentCriticalSetTrap** - (CPM-C Series Units Only) Indicates that the Over Current (Critical) Alarm has been triggered.
- **overCurrentCriticalClearTrap** - (CPM-C Series Units Only) Indicates that the Over Current (Critical) Alarm has been cleared.
- **overTemperatureInitialSetTrap** - Indicates that the Over Temperature (Initial) Alarm has been triggered. The trap will also include a numerical value that indicates the current unit temperature.
- **overTemperatureInitialClearTrap** - Indicates that the Over Temperature (Initial) Alarm has been cleared.
- **overTemperatureCriticalSetTrap** - Indicates that the Over Temperature (Critical) Alarm has been triggered. The trap will also include a numerical value that indicates the current unit temperature.
- **overTemperatureCriticalClearTrap** - Indicates that the Over Temperature (Critical) Alarm has been cleared.
- **pingNoAnswerSetTrap** - Indicates that the Ping No Answer Alarm has been triggered. The trap will also include a numerical value that indicates the IP address of the device that failed to respond to the ping command.
- **pingNoAnswerClearTrap** - Indicates that the Ping No Answer Alarm has been cleared.

- **lockoutSetTrap** - Indicates that the Invalid Access Lockout Alarm has been triggered. The trap will also include a numerical value that indicates the number of the serial port where the lockout occurred.
- **lockoutClearTrap** - Indicates that the Invalid Access Lockout Alarm has been cleared.
- **powercycleSetTrap** - Indicates that the Power Cycle Alarm has been triggered (Note that there is no corresponding Clear Trap for the Power Cycle Alarm.)
- **bufferThresholdCrossedSetTrap** - Indicates that the amount of data in the serial port buffer has exceeded the currently defined Buffer Threshold value. The trap will also include a the number of the port where the Buffer Threshold Alarm was generated, and a numerical value that indicates the amount of data currently stored in the port buffer.
- **bufferThresholdCrossedClearTrap** - Indicates that the data in the port buffer has either been read or erased and that the Buffer Threshold Alarm has been cleared.
- **plugCurrentSetTrap** - (CPM-C Series Units Only) Indicates that the Plug Current Alarm has been triggered.
- **plugCurrentClearTrap** - (CPM-C Series Units Only) Indicates that the Plug Current Alarm has been Cleared.
- **lostCommSetTrap** - Indicates that the Lost Communication Alarm has been triggered.
- **lostCommClearTrap** - Indicates that the Lost Communication Alarm has been cleared.
- **plugCurrentSetTrap** - (CPM-C Series Units Only) Indicates that the Plug Current Alarm has been triggered.
- **plugCurrentClearTrap** - (CPM-C Series Units Only) Indicates that the Plug Current Alarm has been cleared.
- **lostOptoVoltageSetTrap** - (Units with Dual Power Inlets Only) Indicates that the Lost Voltage Alarm has been triggered at a unit that includes opto sensors.
- **lostOptoVoltageClearTrap** - (Units with Dual Power Inlets Only) Indicates that the Lost Voltage Alarm has been cleared at a unit that includes opto sensors.
- **noDialtoneSetTrap** - Indicates that the No Dialtone Alarm has been triggered.
- **noDialtoneClearTrap** - Indicates that the No Dialtone Alarm has been cleared.
- **emergencyShutoffSetTrap** - (CPM Series Units Only) Indicates that an emergency shut off has been implemented. For more information regarding the Emergency Shut Off feature, please contact WTI Tech Support at service@wti.com.
- **emergencyShutoffClearTrap** - (CPM Series Units Only) Indicates that an emergency shut off has been cleared. For more information regarding the Emergency Shut Off feature, please contact WTI Tech Support at service@wti.com.

15. Creating Web Certificates

There are two different types of HTTPS security certificates: "Self Signed" certificates and "Signed" certificates.

Note: *SSL/TLS parameters cannot be defined via the Web Browser Interface. In order to set up SSL/TLS encryption, you must contact the DSM/CPM via the Text Interface.*

Self Signed certificates can be created by the DSM/CPM, without the need to go to an outside service. The principal disadvantage of Self Signed certificates, is that when you access the DSM/CPM command mode via the Web Browser Interface, the browser will display a message which warns that the connection might be unsafe. Note however, that even though this message is displayed, communication will still be encrypted, and the message is merely a warning that the DSM/CPM is not recognized and that you may not be connecting to the site that you intended.

Signed certificates must be created via an outside certificate authority (e.g., VeriSign[®], Thawte[™], etc.) and then uploaded to the DSM/CPM unit to verify the unit's identity. Once a signed certificate has been set up, you will then be able to access command mode without seeing the warning message that is displayed for a Self Signed certificate access.

```
WEB ACCESS: [eth0] IPv4/IPv6

HTTP:
1. Enable: On
2. Port: 80

HTTPS:
3. Enable: On
4. Port: 443

SSL Certificates:
5. Common Name:
6. State or Province:
7. Locality:
8. Country:
9. Email Address:
10. Organization Name:
11. Organizational Unit:
12. CSR Commands:
13. CRT Commands:
14. Harden Web Security: Medium
15. TLS Mode: TLSv1.1/TLSv1.2
16. TRACE Method: OFF

Enter: #<CR> to change,
      <ESC> to return to previous menu ...
```

Figure 15.1: Web Access Parameters (Text Interface Only)

15.1. Creating a Self Signed Certificate

To create a Self Signed certificate, access the Text interface using a password that permits access to Administrator level commands and then proceed as follows:

1. Type `/N` and press **[Enter]** to display the Eth0/IPv4 (Shared) Network Parameters menu.
2. At the Eth0/IPv4 Network Parameters menu, type `23` and press **[Enter]** to display the Web Access menu (Figure 15.1.) Type `3` and press **[Enter]** and then follow the instructions in the resulting submenu to enable HTTPS access.
3. Next, use the Web Access menu to define the following parameters.

Notes:

- *When configuring the DSM/CPM, make certain to define all of the following parameters. Although most SSL/TLS applications require only the Common Name, in the case of the DSM/CPM all of the following parameters are mandatory.*
- *If desired, any random text sequence can be entered in each of these fields.*
- **5. Common Name:** A domain name that will be used to identify the DSM/CPM unit. If you will use a Self Signed certificate, then this name can be any name that you choose, and there is no need to set up your domain name server to recognize this name. However, if you will use a Signed certificate, then your domain name server must be set up to recognize this name (e.g., service.yourcompanyname.com.)
- **6. State or Province:** The name of the state or province where the DSM/CPM unit will be located (e.g., California.)
- **7. Locality:** The city or town where the DSM/CPM unit will be located (e.g., Irvine.)
- **8. Country:** The two character country code for the nation where the DSM/CPM will be located (e.g., US.)
- **9. Email Address:** An email address, that can be used to contact the person responsible for the DSM/CPM (e.g., jsmith@yourcompany.com.)
- **10. Organizational Name:** The name of your company or organization (e.g., Yourcompanyname, Inc.)
- **11. Organizational Unit:** The name of your department or division.

4. After you have defined parameters 5 through 11, type 12 and press **[Enter]** to access the CSR Commands menu. From the CSR Commands Menu, type 1 and press **[Enter]** to generate a Certificate Signing Request. This will overwrite any existing certificate, and create a new Self Signed certificate.
 - a) The DSM/CPM will prompt you to create a password. Key in the desired password and then press **[Enter]**. When the DSM/CPM prompts you to verify the password, key it again and then press **[Enter]** once. After a brief pause, the DSM/CPM will return to the Web Access Menu, indicating that the CSR has been successfully created.
 - b) When the Web Access Menu is re-displayed, press **[Esc]** several times until you exit from the Network Parameters menu and the "Saving Configuration" message is displayed.
5. After the new configuration has been saved, test the Self Signed certificate by accessing the DSM/CPM via the Web Interface, using an HTTPS connection.
 - a) Before the connection is established, the DSM/CPM should display the warning message described previously. This indicates that the Self Signed certificate has been successfully created and saved.
 - b) The DSM/CPM will prompt you to enter a user name and password. After keying in your password, the main menu should be displayed, indicating that you have successfully accessed command mode.

15.2. Creating a Signed Certificate

To create a Signed certificate, and eliminate the warning message, first set up your domain name server to recognize the Common Name (item 5) that you will assign to the unit. Next, complete steps one through five as described in Section 15.1 and then proceed as follows:

1. **Capture the Newly Created Certificate:** Type 12 and press **[Enter]** to access the CSR Commands submenu.
 - a) At the CSR Commands submenu, type 2 and press **[Enter]** to select the Display CSR Key option.
 - b) The DSM/CPM will prompt you to configure your communications program to receive the certificate. Set up your communications program to receive a binary file, and then press **[Enter]** to capture the file and save it. This is the Code Signing Request that you will send to the outside security service (e.g., VeriSign, Thawte, etc.) in order to have them sign and activate the certificate.
2. **Obtain the Signed Certificate:** Send the captured certificate to the outside security service. Refer to the security service's web page for further instructions.

3. **Upload the Signed Certificate to the DSM/CPM:** After the "signed" certificate is returned from the certificate authority, return to the Web Access menu.
 - a) Access the DSM/CPM command mode via the Text Interface using an account that permits Administrator level commands as described previously, then type `/N` and press **[Enter]** to display the Eth0/IPv4 (Shared) Network Parameters menu.
 - b) At the Eth0/IPv4 (Shared) Network Parameters, type 23 and press **[Enter]** to display the Web Access menu.
 - c) From the Web Access menu, type 13 and press **[Enter]** to display the CRT Commands submenu.
 - d) At the CRT Commands submenu, type 1 and press **[Enter]** to select the Upload Signed CRT Certificate option.
 - e) Use your communications program to send the binary format Signed Certificate to the DSM/CPM unit. When the upload is complete, press **[Escape]** to exit from the CRT Commands submenu.
 - f) After you exit from the CRT Server Key submenu, press **[Escape]** several times until you have exited from the Network Parameters menu and the "Saving Configuration" message is displayed.
4. After the configuration has been saved, test the signed certificate by accessing the DSM/CPM via the Web Browser Interface, using an HTTPS connection. For example, if the common name has been defined as "service.wti.com", then you would enter "`https://service.wti.com`" in your web browser's address field. If the Signed Certificate has been properly created and uploaded, the warning message should no longer be displayed.

15.3. Downloading the Server Private Key

When configuring the DSM/CPM's SSL/TLS encryption feature (or setting up other security/authentication features), it is recommended to download and save the Server Private Key. To download the Server Private Key, access the Text interface using a password that permits access to Administrator level commands and then proceed as follows:

1. Type **/N** and press **[Enter]** to display the Eth0/IPv4 (Shared) Network Parameters menu.
2. At the Eth0/IPv4 (Shared) Network Parameters menu, type **23** and press **[Enter]** to display the Web Access menu (Figure 15.1.)
 - a) To download the Server Private Key from the DSM/CPM unit, make certain that SSL/TLS parameters have been defined as described in Section 15.1, then type **13** and press **[Enter]** to display the CRT Commands submenu.
 - b) At the CRT Commands submenu, type **2** and press **[Enter]** to display the Signed CRT Certificate Copy the resulting CRT certificate to a text file and save the text file on your hard drive.
3. To upload a previously saved CRT Certificate to the DSM/CPM unit, make certain that SSL/TLS parameters have been defined as described in Section 15.1, return to the Web Access menu as described in Steps 1 and 2 above, then type **13** and press **[Enter]** to display the CRT Commands Submenu.
 - a) At the CRT Commands submenu, type **1** and press **[Enter]** to select the Upload Signed CRT Certificate option.
 - b) Use your communications program to send the binary format Signed Certificate to the DSM/CPM unit. When the upload is complete, press **[Escape]** to exit from the CRT Commands submenu.
 - c) After you exit from the CRT Server Key submenu, press **[Escape]** several times until you have exited from the Network Parameters menu and the "Saving Configuration" message is displayed.

15.4. Harden Web Security

In the Web Access Menu, the Harden Web Security option allows you to disable SSLv3 and MEDIUM ciphers for incoming web connections.

15.5. TLS Mode

The TLS Mode parameter in the Web Access menu selects the TLS version(s) that the web server will accept from incoming web connections.

16. Saving and Restoring Configuration Parameters

Once the DSM/CPM is properly configured, parameters can be downloaded and saved. Later, if the configuration is accidentally altered, the saved parameters can be uploaded to automatically reconfigure the unit without the need to manually assign each parameter.

Saved parameters can also be uploaded to other identical DSM/CPM units, allowing rapid set-up when several identical units will be configured with similar parameters.

The "Save Parameters" procedure can be performed from any terminal emulation program (e.g. PuTTY, TeraTerm®, etc.), that allows downloading.

Note: *Configuration parameters can be downloaded and saved via either the Web Browser Interface or Text Interface. Saved configuration parameters can only be uploaded to the DSM/CPM unit via the Text Interface.*

16.1. Sending Parameters to a File

16.1.1. Downloading & Saving Parameters via Text Interface

1. Access the Text Interface command mode using an account that permits Administrator level commands.
2. When the command prompt appears, type `/U` and press **[Enter]**. The DSM/CPM will prompt you to configure your terminal emulation program to receive an ASCII download.
 - a) Set your terminal emulation program to receive an ASCII file, and then specify a name for a file that will receive the saved parameters (e.g., DSM.PAR).
 - b) Disable the Line Wrap function for your terminal emulation program. This will prevent command lines from being broken in two during transmission.
3. When the terminal emulation program is ready to receive the file, return to the DSM/CPM's Save Parameter File menu, and press **[Enter]** to proceed. DSM/CPM parameters will be saved on your hard drive in the file specified in Step 2 above.
4. The DSM/CPM will send a series of command lines which specify currently selected parameters. When the download is complete, press **[Enter]** to return to the command prompt.

16.1.2. Downloading & Saving Parameters via Web Browser Interface

The Web Browser Interface also includes a download function that can be used to save DSM/CPM parameters to an XML format file on your PC or laptop. To save parameters via the Web Browser Interface, proceed as follows:

Notes:

- *Although DSM/CPM parameters can be saved to a file via either the Text Interface or Web Browser Interface, saved parameters can only be restored via the Text Interface. The Restore Parameters function is not available via the Web Browser Interface.*
 - *This procedure may differ slightly, depending on the operating system and browser used. In some cases, your system may perform a security scan before proceeding with the download.*
1. Access the Web Browser Interface command mode using an account that permits Administrator level commands.
 2. When the Web Browser Interface appears, click on the "Download Unit Configuration" button on the left hand side of the screen.
 3. After a brief pause, your browser may display a prompt asking if you want to open or save the downloaded file. At this point, you can either select the "Save" option to save the parameters file to the download folder on your PC, or select "Save As" to pick a different location and/or filename for the saved parameters file.

16.2. Restoring Downloaded Parameters

This section describes the procedure for using your terminal emulation program to send saved parameters to the DSM/CPM.

Note: *The Restore Parameters feature is only available via the Text Interface.*

1. Start your terminal emulation program and access the DSM/CPM's Text Interface command mode using an account that permits Administrator level commands.
2. Configure your terminal emulation program to upload an ASCII file.
3. Upload the ASCII text file with the saved DSM/CPM parameters. If necessary, key in the file name and directory path.
4. Your terminal emulation program will send the ASCII text file to the DSM/CPM. When the terminal program is finished with the upload, make certain to terminate the Upload mode.

Note: *If the DSM/CPM detects an error in the file, it will respond with the "Invalid Parameter" message. If an error message is received, carefully check the contents of the parameters file, correct the problem, and then repeat the Upload procedure.*

5. If the parameter upload is successful, the DSM/CPM will send a confirmation message, and then return to the command prompt. Type /s and press **[Enter]**, the Status Screen will be displayed. Check the Status Screen to make certain the unit has been configured with the saved parameters.

16.3. Restoring Recently Saved Parameters

If you make a mistake while configuring the DSM/CPM unit, and wish to return to the previously saved parameters, the Text Interface's "Reboot System" command (/I) offers the option to reinitialize the DSM/CPM using previously backed up parameters. This allows you to reset the unit to previously saved parameters, even after you have changed parameters and saved them.

Notes:

- *The DSM/CPM will automatically backup saved parameters once a day, shortly after Midnight. This configuration backup file will contain only the most recently saved DSM/CPM parameters, and will be overwritten by the next night's daily backup.*
- *When the /I command is invoked, a submenu will be displayed which offers several Reboot options. Option 4 is used to restore the configuration backup file. The date shown next to option 4 indicates the date that you last changed and saved unit parameters.*
- *If the daily automatic configuration backup has been triggered since the configuration error was made, and the previously saved configuration has been overwritten by newer, incorrect parameters, then this function will not be able to restore the previously saved (correct) parameters.*

To restore the previously saved configuration, proceed as follows:

1. Access command mode via the Text Interface, using a username/password that permits access to Administrator level commands (see Section 6.1.1.)
2. At the command prompt, type /I and press **[Enter]**. The DSM/CPM will display a submenu that offers several different reboot options.
3. At the submenu, select Item 4 (Reboot & Restore Last Known Working Configuration,) type 4, and then press **[Enter]**.
4. The DSM/CPM will reboot and previously saved parameters will be restored.

17. Upgrading DSM/CPM Firmware

When new, improved versions of the DSM/CPM firmware become available, either the WMU Enterprise Management Software (recommended) or the "Upgrade Firmware" function (Text Interface only) can be used to update the unit. The following section describes the procedure for updating the DSM/CPM unit using the Firmware Upgrade Utility or the Upgrade Firmware function.

17.1. WMU Enterprise Management Software (Recommended)

The preferred method for updating DSM/CPM units is via the WMU Enterprise Management Software that is included with the unit. The WMU software allows you to manage firmware updates for multiple WTI units from a single interface. For a description of the procedure for managing firmware updates via the WMU, please refer to the WMU user's guide, which can be downloaded from the WTI User's Guide Archive at:

<http://www.wti.com/t-product-manuals.aspx>

Note that in order to use the WMU software, the firmware version for the DSM/CPM must be at least v6.23 or higher. When upgrading older DSM/CPM units that feature pre v6.23 firmware, it is recommended to use the WTI Firmware Upgrade Utility. A zip file that contains the installation files and other documentation for the WTI Firmware Upgrade Utility can be downloaded from WTI's FTP server, located at:

ftp://wtiftp.wti.com/pub/TechSupport/Firmware/Upgrade_Utility/

Please refer to the documentation included in the zip file for further instructions.

17.2. The Upgrade Firmware Function (Alternate Method)

The Upgrade Firmware function provides an alternative method for updating the DSM/CPM firmware. Updates can be uploaded via FTP or SFTP protocols.

Notes:

- *The FTP/SFTP servers can only be started via the Text Interface.*
 - *All other ports will remain active during the firmware upgrade procedure.*
 - *If the upgrade includes new parameters or features not included in the previous firmware version, these new parameters will be set to their default values.*
 - *The upgrade procedure will require approximately 15 minutes.*
1. Obtain the update file. Firmware modifications can either be mailed to the customer, or downloaded from WTI. Place the upgrade CDR in your disk drive or copy the file to your hard drive.
 2. Access Text Interface command mode via Serial Port using a username/password and port that permit Administrator level commands.

3. When the command prompt appears, type `/U` and then press **[Enter]**. The DSM/CPM will display a screen which offers the following options:
 - a) **Start FTP/SFTP Servers Only (Do NOT default parameters):** To proceed with the upgrade, while retaining user-defined parameters, type 1 and press **[Enter]**. All existing parameter settings will be restored when the upgrade is complete.
 - b) **Start FTP/SFTP Servers & Default (Keep IP parameters & SSH Keys):** To proceed with the upgrade and default all user-defined parameters except for the IP Parameters and SSH Keys, type 2 and press **[Enter]**. When the upgrade is complete, all parameter settings except the IP Parameters and SSH Keys, will be reset to factory default values.
 - c) **Start FTP/SFTP Servers & Default (Default ALL parameters):** To proceed with the upgrade, and reset parameters to default settings, type 3 and press **[Enter]**. When the upgrade is complete, all parameters will be set to default values.
 - d) **Start FTP/SFTP Servers for Slip Stream Upgrade:** This option will upgrade only the WTI Management Utility, without updating the DSM/CPM's operating firmware. To update the WTI Management Utility only, type 4 and press **[Enter]**.

Note that after any of the above options is selected, the DSM/CPM will start the receiving servers and wait for an FTP/SFTP client to make a connection and upload a valid firmware binary image.

4. To proceed with the upgrade, select either option 1 or option 2. The DSM/CPM will display a message that indicates that the unit is waiting for data. Leave the current Telnet/SSH client session connected at this time.
5. Open your FTP/SFTP application and (if you have not already done so,) login to the DSM/CPM unit, using a username and password that permit access to Administrator Level commands.
6. Transfer the md5 format upgrade file to the DSM/CPM.
7. After the file transfer is complete, the DSM/CPM will install the upgrade file and then reboot itself and break all port connections. Note that it will take approximately 10 minutes to complete the installation process. The unit will remain accessible until it reboots.
 - a) Some FTP/SFTP applications may not automatically close when the file transfer is complete. If this is the case, you may close your FTP/SFTP client manually after it indicates that the file has been successfully transferred.
 - b) When the upgrade process is complete, the DSM/CPM will send a message to all currently connected network sessions, indicating that the DSM/CPM is going down for a reboot.

Note: Do not power down the DSM/CPM unit while it is in the process of installing the upgrade file. This can damage the unit's operating system.

8. If you have accessed the DSM/CPM via the Network Port, in order to start the FTP/SFTP servers, the DSM/CPM will break the network connection when the system is reinitialized.
 - If you initially selected "Start FTP/SFTP Servers and Save Parameters", you may then reestablish a connection with the DSM/CPM using your former IP address.
 - If you initially selected "Start FTP/SFTP Servers and Default Parameters", you must then login using the DSM/CPM's default IP address (Default = 192.168.168.168) or access command mode via Serial Port 1 or via Modem.

When firmware upgrades are available, WTI will provide the necessary files. At that time, an updated Users Guide or addendum will also be available.

18. Command Reference Guide

18.1. Command Conventions

Most commands described in this section conform to the following conventions:

- **Power Control Functions:** DSM Series units do not support power control functions. Power reboot and switching functions are only available on CPM Series units.
- **Apply Command to All Ports:** When an asterisk is entered as the argument of the `/D` (Disconnect) or `/E` commands (Erase Buffer) the command will be applied to all ports. For example, to erase all port buffers, type `/E * [Enter]`.
- **Apply Command to All Plugs:** (CPM Series Units Only) When an asterisk is entered as the argument of the `/ON` (Switch Plugs On), `/OFF` (Switch Plugs Off) or `/BOOT` (Reboot Plugs) commands, the command will be applied to all plugs. For example, to reboot all allowed plugs, type `/BOOT * [Enter]`.
- **Command Queues:** (CPM Series Units Only) If a switching or reboot command is directed to a plug that is already being switched by a previous command, then the new command will be placed into a queue until the plug is ready to receive additional commands.
- **"Busy" Plugs:** (CPM Series Units Only) If the "Status" column in the Plug Status Screen includes an asterisk, this means that the plug is currently busy, and is in the process of completing a previously issued command. If a new command is issued to a busy plug, then the new command will be placed into a queue to be executed later.
- **Plug Name Wild Card:** (CPM Series Units Only) It is not always necessary to enter the entire plug name. Plug names can be abbreviated in command lines by entering the first character(s) of the name followed by an asterisk (*). For example, a plug named "SERVER" can be specified as "s*". Note however, that this command would also be applied to any other plug name that begins with an "S".
- **Suppress Command Confirmation Prompt:** When any command that normally requires confirmation is invoked, the `, Y` option can be included to override the Command Confirmation ("Sure?") prompt. For example, to reboot Plug 4 without displaying the Sure prompt, type `/BOOT 4, Y [Enter]`.
- **Connected Ports:** When two ports are connected, most DSM/CPM commands will not be recognized by either of the connected ports. The only exception is the Resident Disconnect Sequence (Default = `^x` ([Ctrl] plus `[X]`)).

18.2. Command Summary

Function	Command Syntax	Command Access Level			
		Admin.	SuperUser	User	ViewOnly
Display					
Port and Plug Status ❶	/S [Enter]	X❷	X❷	X❷	X❷
Port Diagnostics	/SD [Enter]	X❷	X❷	X❷	X❷
Port Parameters (Who)	/W [n] [Enter]	X❷	X❷	X❸	X❸
Plug Group Status ❶	/SG [Enter]	X❷	X❷	X❷	X❷
Network Status	/SN [Enter]	X	X	X	X
Network Configuration Summary	/RN [Enter]	X	X	X	X
IP Alias Status	/SA [Enter]	X	X	X❷	X❷
Alarm Status	/AS [alarm] [Enter]	X			
Current Metering❹	/M [Enter]	X	X	X❺	X❺
View Connection (with Echo)	/V <n> [Enter]	X	X		
View Connection (without Echo)	/VE <n> [Enter]	X	X		
Help Menu	/H [Enter]	X	X	X	X
Log Functions	/L [Enter]	X	X		
Site ID / Unit Information	/J [*] [Enter]	X	X	X	X
Control					
Exit Command Mode	/X [Enter]	X	X	X	X
Connect - Local <Remote>	/C <n> [n] [Enter]	X	X	X❹	
Disconnect Ports	/D <n Nn *> [Enter]	X	X		
Read Buffer	/R <n> [Enter]	X	X	X	
Erase Buffer(s)	/E <n *> [Enter]	X	X	X	
Boot Plug n ❶	/BOOT <n>[,y] [Enter]❻	X	X	X	
Turn Plug n On ❶	/ON <n>[,y] [Enter]❻	X	X	X	
Turn Plug n Off ❶	/OFF <n>[,y] [Enter]❻	X	X	X	
Default All Plugs ❶	/DPL[,y] [Enter]❻	X	X	X	
Send Parameter File	/U [Enter]	X			
Send SSH Keys	/K <n> [Enter]	X			
Unlock Invalid Access	/UL [Enter]	X			
Outbound Telnet	/TELNET <ip> [port] [raw] [Enter]	X❸	X❸	X❸	
Outbound SSH	/SSH <ip> -l <username> [Enter]	X❸	X❸	X❸	
Broadcast Mode	/broadcast <port list> [Enter]	X	X		
Configuration					
System Parameters	/F [Enter]	X	❷		
Serial Port Parameters	/P [Enter]	X	❷		
Plug Parameters ❶	/PL <n> [Enter]	X	❷		
Plug Group Parameters ❶	/G [Enter]	X	❷		
Network Configuration - Eth0/IPv4	/N [Enter]	X	❷		
Network Selection Menu - IPv4/IPv6	/N* [Enter]	X	❷		
Ping No Answer Configuration❸	/PNA [Enter]	X	❷		
Reboot Options ❶	/RB [Enter]	X	❷		
Alarm Configuration	/AC [Enter]	X	❷		
Reboot System	/I [Enter]	X	X		
Upgrade Firmware	/UF [Enter]	X			
Copy Port Parameters	/CP <z> [Enter]	X			
Test Network Configuration	/TEST [Enter]	X			

- ❶ Power control functions are only available on CPM Series units.
- ❷ In Administrator and SuperUser mode, all ports/plugs/plug groups are displayed. In User and ViewOnly mode, the screen will only display ports/plugs/plug groups allowed by the account. DSM Series units do not include switched plugs.
- ❸ User and ViewOnly level accounts are only allowed to view parameters for the port that was used to access command mode.
- ❹ User level accounts are only allowed to create a connection to Serial Ports permitted by the account. User level accounts are not allowed to create Third Party (remote) port connections.
- ❺ The " , y" argument can be included to suppress the command confirmation prompt.
- ❻ In order to invoke this command, Outbound Telnet/SSH and Outbound Service Access must be enabled for your account.
- ❼ In SuperUser mode, configuration menus can be displayed, but parameters cannot be changed.
- ❸ Not Available on CPM Series units; Ping No Answer parameters are defined via the Reboot Options Menu.
- ❹ Current and Power Metering capabilities are only available on CPM-C Series units.
- ❺ The User Directory can disable access to Current and Power Metering functions for User and View Level accounts.

18.3. Command Set

This section provides information on all Text Interface commands, sorted by functionality

18.3.1. Display Commands

/S Display Port (and Plug) Status Screen

Displays the Port and Plug Status Screen, which lists the current status of the DSM/CPM's serial ports and switched outlets. For more information, please refer to Section 10.3 and Section 10.4.

Notes:

- *CPM Series Units will also display plug (outlet) status. Power control and power status functions are not available on DSM Series units.*
- *In Administrator Mode and SuperUser Mode, all DSM/CPM ports and outlets are displayed. In User Mode and ViewOnly Mode, the Port and Plug Status Screen will only include the ports and plugs allowed by your account.*

Availability: Administrator, SuperUser, User, ViewOnly

Format: /s [Enter]

/SD Display Port Diagnostics

Provides detailed information regarding the status of each port. When this command is issued by a User level or View Only level account, the resulting screen will only display parameters for the ports allowed by the account. For more information, please refer to Section 10.8.

Availability: Administrator, SuperUser, User, ViewOnly

Format: /sd [Enter]

Response: Displays Port Diagnostics Screen.

/W Display Port Parameters (Who)

Displays configuration information for an individual port, but does not allow parameters to be changed. User and ViewOnly accounts can only display parameters for their resident port. For more information, please refer to Section 10.11.

Availability: Administrator, SuperUser, User, ViewOnly

Format: /w [x] [Enter]

Where **x** is the port number or name. To display parameters for the Network Port, enter an "N". If the "x" argument is omitted, parameters for your resident port will be displayed.

Example: To display parameters for a port named "SERVER", access the Command Mode from a port and account that permits Administrator level commands, and type /w SERVER [Enter].

/SG Display Plug Group Status Screen

Displays the Plug Group Status Screen, which lists and briefly describes all user-defined Plug Groups. For more information, please refer to Section 10.5.

Notes:

- *This command is not available on DSM Series units. The Plug Group Status Screen is only available on CPM Series units.*
- *In Administrator Mode all user defined Plug Groups are displayed. In SuperUser Mode, User Mode and ViewOnly Mode, the Plug Group Status Screen will only include the Plug Groups allowed by your account.*

Availability: Administrator, SuperUser, User, ViewOnly

Format: /s [Enter]

/SN Display Network Status

Displays the Network Status Screen, which lists current network connections to the DSM/CPM's Network Port. For more information, please refer to Section 10.2.

Availability: Administrator, SuperUser, User, ViewOnly

Format: /sN [Enter]

/RN Network Configuration Summary

Displays a screen that lists currently selected communication settings, LDAP status, RADIUS status, Email Messaging status, NTP status, PPP status and other information.

Availability: Administrator, SuperUser, User ViewOnly

Format: /rN [Enter]

/SA IP Alias Status

Displays the Alias Status Screen, which lists currently selected port names, alias IP addresses and Direct Connect status for the DSM/CPM's serial ports. For more information, please refer to Section 10.9.

Note: *When the Alias Status Screen is displayed by an Administrator or SuperUser level account, the screen will display the status of all ports. If the Alias Status Screen is displayed by a User or ViewOnly level account, the screen will only display the status of the ports specifically allowed by the account.*

Availability: Administrator, SuperUser, User, ViewOnly

Format: /sA [Enter]

/V View Connection (with Echo)

When two DSM/CPM ports have been connected, the /V command can be used to display data that is sent between the two connected serial ports, including data that has been echoed.

Note: *To display data sent between two connected serial ports without including echoed data, please refer to the /VE command.*

Availability: Administrator, SuperUser

Format: /v <n> [Enter]

Where n is the number of one of the two connected serial ports.

/VE View Connection (without Echo)

When two DSM/CPM ports have been connected, the /VE command can be used to display data that is sent between the two connected serial ports, but will not include data that has been echoed.

Note: *To display data sent between two connected serial ports, including echoed data, please refer to the /V command.*

Availability: Administrator, SuperUser

Format: /vE <n> [Enter]

Where n is the number of one of the two connected serial ports.

/H Help

Displays a Help Screen, which lists most available Text Interface commands along with a brief description of each command.

Note: *In the Administrator Mode, the Help Screen will list the most available DSM/CPM commands. In SuperUser Mode, User Mode and ViewOnly Mode, the Help Screen will only list the commands that are allowed for that Access Level.*

Availability: Administrator, SuperUser, User, ViewOnly

Format: /H [Enter]

/L Log Functions

Provides access to a menu which allows you to display the Audit Log, Alarm Log, Temperature Log (DSM Series units only,) Current Metering Log (CPM-C Series units only) and Power Metering Log (CPM-C Series units only.) For more information on Log Functions, please refer to Section 7.2.3.

Availability: Administrator, SuperUser

Format: /L [Enter]

/M Current Metering (CPM-C Series Units Only)

Displays the Current Metering Screen, which lists Current, Power, Voltage and Temperature readings as well as settings for the Current and Temperature alarms.

Notes:

- *Current Metering functions are not available on DSM Series.*
- *If desired, the User Directory can disable access to Current and Power Metering functions for User and View Only level accounts.*

Availability: Administrator, SuperUser, User, View Only

Format: /M [Enter]

/AS Alarm Status Screen

Lists all available user-defined alarms and indicates whether or not an alarm has been triggered as described in Section 10.10. The resulting screen will display "Yes" (or 1) for alarms that have been triggered or "No" (or 0) for alarms that have not been triggered. If desired, the /AS command line can also include an optional alarm argument that will cause the unit to display the status of one individual alarm as shown in the table below:

Alarm Name	Alarm Argument
Over Current (Initial)	OCI
Over Current (Critical)	OCC
Over Temperature (Initial)	OTI
Over Temperature (Critical)	OTC
Lost Communication with Unit	CL
Ping No Answer	PNA
Serial Port Invalid Access Lockout	LO
Power Cycle (Cold Boot)	CB
Buffer Threshold	BT
Plug Current	PC
Lost Voltage (Line In)	VL
No Dialtone	ND
Emergency Shutoff	ES

Availability: Administrator

Format: /AS [alarm] [Enter]

Where **alarm** is an optional argument, which can be used to display the status of an individual alarm as shown in the table above.

/J Display Site ID / Unit Information

Displays the user-defined Site I.D. message. If the optional asterisk (*) argument is included in the command line, the command can also display the model number, serial number, software version and other information for the DSM/CPM unit.

Availability: Administrator, SuperUser, User, ViewOnly

Format: /J [*] [Enter]

Where * is an optional argument, which can be included in the command line to display the exact model number and software version of the DSM/CPM unit.

18.3.2. Control Commands

/X **Exit Command Mode**

Exits command mode. When issued at the Network Port, also ends the session.

Note: *If the /X command is invoked from within a configuration menu, recently defined parameters may not be saved. In order to make certain that parameters are saved, always press the [Esc] key to exit from all configuration menus and then wait until "Saving Configuration" message has been displayed and the cursor has returned to the command prompt before issuing the /X command.*

Availability: Administrator, SuperUser, User, ViewOnly

Format: /x [Enter]

/C **Connect**

Establishes a bidirectional connection between two ports. For more information, see Section 6.2. There are two types of connections:

- **Resident Connect:** If the /C command specifies only one port, your resident port will be connected to the specified port.
- **Third Party Connect:** If the /C command specifies two ports, the unit will connect the two ports indicated. Third Party Connections can only be initiated by ports and accounts that permit Administrator level commands.

Notes:

- *User level accounts can only connect to the ports that are specifically permitted by the account.*
- *User level accounts are not allowed to create "Third Party" connections. For example, a User level account, that is logged in via the Network Port cannot connect Serial Port 3 to Port 4.*
- *Administrator and SuperUser level accounts are allowed to connect to any DSM/CPM Serial Port.*
- *The Serial Ports are not allowed to create a Third Party connection to the Network Port. For example, Serial Port 1 cannot connect Serial Port 3 to the Network Port.*

Availability: Administrator, SuperUser, User

Format: /C <x> [x] [Enter]

Where **x** is the number or name of the port(s) to be connected.

/D Third Party Disconnect

Invoke the /D command at your resident port to disconnect two other ports.

Notes:

- *The /D command cannot disconnect your resident port*
- *SuperUsers and Users are limited to the ports that are specifically allowed by their accounts.*

Availability: Administrator, SuperUser

Format: /D [/Y] <x> [x] [Enter]

Where:

- /Y (Optional) suppresses the "Sure?" prompt.
- x Is the number or name of the port(s) to be disconnected. To disconnect all allowed ports, enter an asterisk. To disconnect, enter the "nn" format Network Port Number.

Example: To disconnect Port 2 from Port 3 without the "Sure?" prompt, access the Command Mode from a third port with Administrator level command capability and type:

/D/Y 2 [Enter] or /D/Y 3 [Enter]

/R Read Buffer

Reads from Buffer Mode ports as described in Section 6.2.3.1.

Notes:

- *SuperUsers and Users are limited to the ports that are specifically allowed by their accounts*
- *When the /R command is invoked, the counter for the SNMP Traps function will also be reset.*

Availability: Administrator, SuperUser, User

Format: /R <n> [Enter]

Where n is the number or name of the port buffer to be read.

/E Erase Buffer

Erases data from the buffer for a specified port(s).

Notes:

- *Users are limited to the ports that are specifically allowed by their accounts*
- *Erased data cannot be recovered.*

Availability: Administrator, SuperUser, User

Format: /E [/Y] <x> [*] [Enter]

Where:

- x** Is the number or name of the port buffer(s) to be cleared. To erase buffers for all ports, enter an asterisk.
- /Y** (Optional) Suppresses the "SURE? (Y/N)" prompt.

Example: To clear the buffer for Port 3, access the Command Mode using an account that provides access to Port 3, and then type /E 3 [Enter].

/BOOT Initiate Boot Cycle

Initiates a boot cycle at the selected plug(s) or Plug Group(s). When a Boot cycle is performed, an CPM Series unit will first switch the selected plug(s) Off, then pause for the user-defined Boot/Sequence Delay Period, then switch the plug(s) back on. The /BOOT command can also be entered as /BO.

Notes:

- *This command is not available on DSM Series units. The Boot command is only available on CPM Series units.*
- *When the /BOOT command is used to reboot more than one plug, the Boot/Sequence Delay Periods will be applied as described in Section 7.6.*
- *When this command is invoked in Administrator Mode or SuperUser Mode, it can be applied to all plugs and Plug Groups on the unit. When this command is invoked in User Mode, it can only be applied to the plugs and/or Plug Groups that have been enabled for your account.*

Availability: Administrator, SuperUser, User

Format: /BOOT <n>[, Y] [Enter] or /BO <n> [Enter]

Where:

- n** The number or name of the plug(s) or Plug Group(s) that you intend to boot. To apply the command to several plugs, enter a plus sign (+) between each plug number. To apply the command to a range of plugs, enter the numbers for the first and last plugs in the range, separated by a colon character (:). To apply the command to all plugs allowed by your account, enter an asterisk character (*).
- ,Y** (Optional) Suppresses the command confirmation prompt.

Example:

Assume that your account allows access to Plug 2 and Plug 3. To initiate a boot cycle at Plugs 2 and 3, without displaying the optional command confirmation prompt, invoke either of the following command lines:

/BOOT 2+3,Y [Enter] or /BO 2+3,Y [Enter]

/ON Switch Plug(s) ON

Switches selected plugs(s) or Plug Group(s) On, as described in Section 6.4.2.

Notes:

- *This command is not available on DSM Series units. The On command is only available on CPM Series units.*
- *When the /ON command is used to switch more than one plug, the Boot/Sequence Delay Periods will be applied as described in Section 7.6.*
- *When this command is invoked in Administrator Mode or SuperUser Mode, it can be applied to all plugs and Plug Groups on the CPM Series unit. When this command is invoked in User Mode, it can only be applied to the plugs and/or Plug Groups that have been enabled for your account.*

Availability: Administrator, SuperUser, User

Format: /ON <n> [, Y] [Enter]

Where:

- n** The number or name of the plug(s) or Plug Group(s) that you intend to Switch On. To apply the command to several plugs, enter a plus sign (+) between each plug number. To apply the command to a range of plugs, enter the numbers for the first and last plugs in the range, separated by a colon character (:). To apply the command to all plugs allowed by your account, enter an asterisk character (*).
- , Y** (Optional) Suppresses the command confirmation prompt.

Example:

Assume that your account allows access to Plug 2 and Plug 3. To switch Plugs 2 and 3 On, without displaying the optional command confirmation prompt, invoke following command line:

/ON 2+3, Y [Enter]

/OFF Switch Plug(s) OFF

Switches selected plugs(s) or Plug Group(s) Off, as described in Section 6.4.2. When the /OFF command is used to switch more than one plug, Boot/Sequence Delay Period will be applied as described in Section 7.6. The /OFF command can also be entered as /OF.

Note:

- *This command is not available on DSM Series units. The Off command is only available on CPM Series units.*
- *When this command is invoked in Administrator Mode or SuperUser Mode, it can be applied to all plugs and Plug Groups on the CPM Series unit. When invoked in User Mode, the command can only be applied to the plugs and/or Plug Groups that are enabled for your account.*

Availability: Administrator, SuperUser, User

Format: /OFF <n>[,Y] [Enter] or /OF <n>[,Y] [Enter]

Where:

- n** The number or name of the plug(s) or Plug Group(s) that you intend to Switch Off. To apply the command to several plugs, enter a plus sign (+) between each plug number. To apply the command to a range of plugs, enter the numbers for the first and last plugs in the range, separated by a colon character (:). To apply the command to all plugs allowed by your account, enter an asterisk character (*).
- ,Y** (Optional) Suppresses the command confirmation prompt.

Examples:

Assume that your account allows access to Plug 2 and Plug 3. To switch Plugs 2 and 3 on your DSM/CPM unit Off, without displaying the optional command confirmation prompt, invoke either of the following command lines:

/OFF 2+3,Y [Enter] or /OF 2+3,Y [Enter]

/DPL Set All Plugs to Default States

Sets all switched outlets to their user-defined default state. For information on setting outlet defaults, please refer to Section 7.6.

Notes:

- *This command is not available on DSM Series units. The /DPL command is only available on CPM Series units.*
- *When this command is invoked in Administrator Mode and SuperUser Mode, it will be applied to all outlets on the unit. When invoked in User Mode, the command will only be applied to the plugs that are allowed by your account.*

Availability: Administrator, SuperUser, User

Format: /DPL[,Y] [Enter]

Where ,Y is an optional command argument, which can be included to suppress the command confirmation prompt.

/U Send Parameters to File

Sends all DSM/CPM configuration parameters to an ASCII text file as described in Section 16. This allows you to back up the configuration of your DSM/CPM unit.

Availability: Administrator

Format: /U [Enter]

/K Send SSH Key

Instructs the DSM/CPM to provide you with a public SSH key for validation purposes. This public key can then be provided to your SSH client, in order to prevent the SSH client from warning you that the user is not recognized when you attempt to create an SSH connection. For more information, please refer to Section 11.2.

Availability: Administrator

Format: /K k [Enter]

Where k is a required argument, which indicates the key type. The k argument provides the following options: 1 (SSH1), 2 (SSH2 RSA), 3 (SSH2 DSA.)

/UL Unlock Port (Invalid Access Lockout)

Manually cancels the DSM/CPM's Invalid Access Lockout feature. Normally, when a series of failed login attempts are detected, the Invalid Access Lockout feature can shut down the effected port or protocol for a user specified time period in order to prevent further access attempts. When the /UL command is invoked, the DSM/CPM will immediately unlock all ports and protocols that are currently in the locked state.

Availability: Administrator

Format: /UL [Enter]

/TELNET Outbound Telnet

Creates an outbound Telnet connection.

Notes:

- *In order for the /TELNET command to function, Telnet/SSH and Outbound Service Access must be enabled for your user account as described in Section 7.4. In addition, Telnet Access and Outbound Access must also be enabled via the Network Parameters menu, as described in Section 7.8.1.*
- *If you have logged in via the Network Port, the /TELNET command will not function.*

Availability: Administrator, SuperUser, User

Format: /TELNET <ip> [port] [raw] [Enter]

Where:

- ip** Is the target IP address. The IP Address can be entered in either IPv4 or IPv6 format.
- port** Is an optional argument which can be included to indicate the target port at the IP address.
- raw** Is an optional argument which can be included to indicate a raw socket connection. In order to create a raw socket connection, the command line must end with the text "raw".

/SSH Outbound SSH

Creates an outbound SSH connection.

Notes:

- *In order for the /SSH command to function, Telnet/SSH and Outbound Service Access must be enabled for your user account as described in Section 7.4. In addition, SSH Access and Outbound Access must also be enabled via the Network Parameters menu, as described in Section 7.8.1.*
- *If you have logged in via the Network Port, the /SSH command will not function.*

Availability: Administrator, SuperUser, User

Format: /SSH <ip> -l <username> [Enter]

Where:

ip	Is the target IP address. The IP Address can be entered in either IPv4 or IPv6 format.
-l	(Lowercase letter "l") Indicates that the next argument will be the log on name.
username	Is the username that you wish to use to log in to the target device.

/BROADCAST Broadcast Text or Commands to Serial Ports

Broadcasts text or commands to a user-specified selection of DSM/CPM Serial Ports.

Notes:

- *The Broadcast command will only be applied to Serial Ports that are configured for Any-to-Any Mode or Passive Mode. Text or commands will not be broadcast to Modem Mode or Buffer Mode ports.*
- *The Broadcast command will only be applied to Serial Ports that are not currently connected. Text or commands will not be broadcast to connected Serial Ports.*
- *Flow control (handshake) at target Serial Ports must be "ready" in order to receive text or commands.*
- *The Broadcast command will not send text or commands to the Serial Port that initiated the command.*
- *To exit Broadcast mode and send text or commands, press [Esc] or type ^X ([Ctrl] plus [X].)*

Availability: Administrator, SuperUser

Format: /BROADCAST <port list> [Enter]

Where "port list" is a series of port numbers or names, separated by spaces or commas. Note that the "port list" argument can also include wild cards.

18.3.3. Configuration Commands

/F Set System Parameters

Displays a menu used to define general system parameters for the DSM/CPM unit. All functions provided by the /F command are also available via the Web Browser Interface. For more information, please refer to Section 7.2.

Availability: Administrator

Format: /F [Enter]

/P Set Serial Port Parameters

Displays a menu used to select parameters for the serial ports and internal modem port. All functions provided by the /P command are also available via the Web Browser Interface. Section 7.7 describes the procedure for defining serial port parameters.

Availability: Administrator

Format: /P <n> [Enter]

Where <n> is the number or name of the desired serial port.

/PL Set Plug Parameters

Displays a menu used to select parameters for the switched outlets (plugs). All functions provided by the /PL command are also available via the Web Browser Interface. Section 7.6 describes the procedure for defining plug parameters.

Note: This command is not available on DSM Series units. The /PL command is only available on CPM Series units.

Availability: Administrator

Format: /PL [Enter]

/G Plug Group Parameters

Displays a menu used to View, Add, Modify or Delete Plug Groups. For more information on Plug Groups, please refer to Section 7.5.

Note: This command is not available on DSM Series units. The /G command is only available on CPM Series units.

Availability: Administrator

Format: /G [Enter]

/N* Network Selection Menu - IPv4/IPv6

Displays a the Network Selection menu, which is used to access the configuration menus for the primary Ethernet Port, optional secondary Ethernet Port, and optional Cellular Modem Port. Note that the Network Selection menu also allows access to configuration menus for both IPv4 and IPv6 protocols. All functions provided by the /N* command are also available via the Web Browser Interface. For more information, please refer to Section 7.8.

Availability: Administrator

Format: /N* [Enter]

**/PNA Ping No Answer Configuration Parameters
(DSM Series Units Only)**

Displays a menu that is used to define IP addresses and other associated parameters that will be used by the Ping No Answer Alarm. When Ping No Answer IP addresses have been defined and the Ping No Answer Alarm has been enabled, the DSM/CPM can ping user-defined IP addresses, and notify you when devices at those IP addresses are not responding to the ping command. For more information, please refer to Section 9.4.1.

Note: *This command is only available on DSM Series units. The /PNA command is not available on CPM Series units; instead, Ping No Answer parameters are defined via the Reboot Options menu.*

Availability: Administrator

Format: /PNA [Enter]

/RB Reboot Options

Displays a menu that is used to configure Scheduled Reboots and Ping-No-Answer Reboots. Scheduled Reboots allow the devices connected to an CPM Series unit's switched outlets to be rebooted on a regular basis, according to a user defined schedule. Ping-No-Answer Reboots allow the CPM Series unit to automatically reboot specific outlets when a user-specified IP address does not respond to a Ping command. For more information on Reboot options, please refer to Section 8.

Notes:

- *This command is not available on DSM Series units. The /RB command is only available on CPM Series units.*
- *If desired, the Ping-No-Answer Reboot function can also be configured to send email notification whenever a Ping-No-Answer Reboot is generated. For more information, please refer to Section 9.4.*

Availability: Administrator

Format: /RB [Enter]

/AC Alarm Configuration Parameters

Displays a menu that is used to configure and enable the DSM/CPM's monitoring and alarm functions. For more information on Alarm Configuration, please refer to Section 9.

Availability: Administrator

Format: /AC [Enter]

/I Reboot System (Default)

Re-initializes the DSM/CPM unit and offers the option to keep user-defined parameters or reset to default parameters. As described in Sections 7.9.1 and 16.3, the /I command can also be used to restore the unit to previously saved parameters. When the /I command is invoked, the unit will offer four reboot options:

- Reboot Only (Do NOT default parameters)
- Reboot & Default (Keep IP Parameters & SSH Keys; Default all other parameters)
- Reboot & Default (Default ALL parameters)
- Reboot & Restore Last Known Working Configuration

Availability: Administrator

Format: /I [Enter]

/UF Upgrade Firmware

When new versions of the DSM/CPM firmware become available, this command is used to update existing firmware as described in Section 17.

Notes:

- *The Firmware Upgrade Utility is the preferred method for managing DSM/CPM firmware upgrades. The /UF command is intended to provide an alternative to the WMU Enterprise Management Utility. For more information, please refer to Section 17.1*
- *When a firmware upgrade is performed, the DSM/CPM will require 15 minutes for the upgrade procedure.*

Availability: Administrator

Format: /UF [Enter]

/CP Copy RS232 Port Parameters

Allows quick set-up when several serial ports will be configured with similar parameters. When the /CP command is invoked, the DSM/CPM will display a menu that can be used to copy parameters to RS232 ports. For more information, please refer to Section 7.7.3.

Note: *To proceed with the Copy function after selecting new parameters, press [Esc]; the DSM/CPM will then display the confirmation prompt before proceeding.*

Availability: Administrator

Format: /CP [Enter]

`/TEST` Test Network Parameters

Displays a menu which is used to test configuration of the Syslog and SNMP Trap functions and can also be used to ping a user-selected IP address.

Notes:

- *In order for a ping test to function properly, your network and/or firewall and the target device must be configured to allow ping commands.*
- *In order for the ping command to function with domain names, Domain Name Server parameters must be defined as described in Section 7.8.3.*
- *The Test Menu's Ping command is not effected by the status of the Network Parameters Menu's Ping Access function.*

Availability: Administrator

Format: `/TEST` [Enter]

Appendix A. Specifications

A.1. Standard DSM Series Units

RS232 Port Interface:

Connectors:

- **DSM-8 Series Models:** Eight (8) RJ45 connectors (DTE pinout.)
One (1) USB Mini SetUp Port
- **DSM-24 Series Models:** Twenty Four (24) RJ45 connectors (DTE pinout.)
One (1) USB Mini SetUp Port
- **DSM-40 Series Models:** Forty (40) RJ45 connectors (DTE pinout.)
One (1) USB Mini SetUp Port

Coding: 7/8 bits, Even, Odd, No Parity, 1, 2 Stop Bits.

Flow Control: XON/XOFF, RTS/CTS, Both, or None.

Data Rate: 300 to 115.2K bps (all standard rates).

Inactivity Timeout: No activity timeout disconnects port/modem sessions.
Off, 5, 15, 30, 90 minutes.

Memory: Stores Parameters and captured data. 256K per port.

Break: Send Break or Inhibit Break

Site ID: 32 Characters.

Port Name: 16 Characters per port.

Usernames & Passwords: 16 characters each (case sensitive.) Up to 128 pairs.

LEDs: On, Ready, DCD, plus Connection Activity for each RS232 Serial Port.

Physical / Environmental:

Size:

Width: 19" (48.3 cm) (Including Rack Brackets)

Depth: 6.5" (16.5 cm)

Height: 1.75" (4.5 cm) One Rack U

Power:

- **AC Models:** IEC-320-C14 Inlet, 100 to 240 VAC, 50/60 Hz, 10 Watts Max. (Optional, Secondary IEC-320-C14 Inlet Available.)
- **DC Models:** Terminal Strip, -48 VDC

Operating Temperature: 32°F to 122°F (0°C to 50°C)

Storage Temperature: -4°F to 128°F (-20°C to 70°C)

Humidity: 10 to 90% RH, Non-Condensing

Venting: Side vents are used to dissipate heat generated within the unit. When mounting the unit in an equipment rack, make certain to allow adequate clearance for venting.

Control Ports:

Ethernet Port: 10/100/1000Base-T, RJ45, multi-session.

(Optional Secondary 10/100/1000Base-T Ethernet Port Also Available.)

Internal Modem Port (Phone Line): (Optional) RJ11 connector for connection to your Telco line

Internal Cellular Modem Port: (Optional) 4G LTE for Verizon, AT&T or EU

A.2. CPM Series Units

Power Input/Output:

Voltage:

CPM-1600-1 and CPM-800-1 Series: 100 - 120 VAC, 50/60 Hz

CPM-1600-2 and CPM-800-2 Series: 208 - 240 VAC, 50/60 Hz

AC Input Feed:

CPM-1600 Series and CPM-800 Series: 20 Amps Max. Input Feed per Inlet

AC Inlets:

CPM-1600 Series: Four (4) IEC320-C20

CPM-800 Series: Two (2) IEC320-C20

AC Outlets:

CPM-1600-1 Series: 16 each, NEMA 5-15R Outlets

CPM-1600-2 Series: 16 each, IEC320-C13 Outlets

CPM-800-1 Series: 8 each, NEMA 5-15R Outlets

CPM-800-2 Series: 8 each, IEC320-C13 Outlets

RS232 Port Interface:

Connectors:

CPM-1600 Series: Sixteen (16) RJ45 connectors (DTE pinout.)

CPM-800 Series: Eight (8) RJ45 connectors (DTE pinout.)

Coding: 7/8 bits, Even, Odd, No Parity, 1, 2 Stop Bits.

Flow Control: XON/XOFF, RTS/CTS, Both, or None.

Data Rate: 300 to 115.2K bps (all standard rates).

Internal Modem:

CPM-1600 Series and CPM-800 Series: Internal 56K v.92 Modem (Optional)

Physical/Environmental:

CPM-1600 Series:

Width: 19" (48.3 cm) (Including Rack Brackets)

Depth: 12.5" (31.75 cm)

Height: 3.5" (8.9 cm)

CPM-800 Series:

Width: 19" (48.3 cm) (Including Rack Brackets)

Depth: 8.75" (22.2 cm)

Height: 1.75" (4.5 cm) One Rack U

Operating Temperature: 32°F to 122°F (0°C to 50°C)

Humidity: 10 - 90% RH

Agency Approvals: FCC, UL, CE (240 VAC Units)

Venting: Side vents are used to dissipate heat generated within the unit. When mounting the unit in an equipment rack, make certain to allow adequate clearance for venting.

Control Ports:

Ethernet Port: 10/100/1000Base-T, RJ45, multi-session.

(Optional Secondary 10/100/1000Base-T Ethernet Port Also Available.)

Internal Modem Port (Phone Line): (Optional) RJ11 connector for connection to your Telco line

Internal Cellular Modem Port: (Optional) 4G LTE for Verizon, AT&T or EU

Appendix B. Serial Interface Description

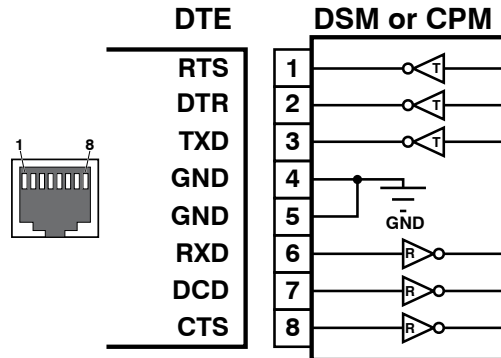
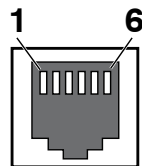


Figure B.1: DSM Series and CPM Series RS232 Port Interface (RJ45)



- 1 Not Used
- 2 Not Used
- 3 RING
- 4 TIP
- 5 Not Used
- 6 Not Used

Figure B.2: RJ11 Phone Line Port (for Optional Internal Modem)

B.1. Serial Port (RS232)

DCD and DTR hardware lines function as follows:

1. **When connected:**
 - a) If either port is set for Modem Mode, the DTR output at either port reflects the DCD input at the other end.
 - b) If *neither* port is set for Modem Mode, DTR output is held high (active).
2. **When not connected:**
 - a) If the port is set for Modem Mode, upon disconnect DTR output is pulsed for 0.5 seconds and then held high.
 - b) If the port is *not* set for Modem Mode, DTR output is controlled by the DTR Output option (Serial Port Parameters Menu, Option 23). Upon disconnect, Option 23 allows DTR output to be held low, held high, or pulsed for 0.5 seconds and then held high.

B.2. DSM and CPM Series RJ45 Serial Ports

When connecting Devices to DSM Series or CPM Series RJ45 Serial Console Ports, please refer to Figure B.1 and the table below:

Target Device End	Adapter	Cable	WTI Device End
RJ Serial Console Ports: Cisco Routers, Juniper Routers and Other Network Devices with RJ45 Serial Console Port	(None Required)	RJ45 Rollover Cable: RJ-ROLL (7 Feet) RJ-ROLL-25 (25 Feet)	WTI DSM Series or CPM Series - RJ45, DCE Serial Console Port
DB9M Serial Console Ports: Linux PC or Linux Laptop, WTI RSM Series Units, WTI MPC Series Units and Other Devices with a DB9M Serial Console Port	DX9F-DTE-RJ Snap Adapter	RJ45 Straight Cable: RJX-7 (7 Feet) RJX-15 (15 Feet) RJX-25 (25 Feet) RJX-50 (50 Feet)	
DB25F Serial Console Ports: Terminal/DTE and Other Devices with DB25F Serial Console Port	DX25M-DTE-RJ Snap Adapter	RJ45 Straight Cable: RJX-7 (7 Feet) RJX-15 (15 Feet) RJX-25 (25 Feet) RJX-50 (50 Feet)	

Note: For RJ45 console ports on target devices that are not pinned as a Cisco interface, try standard Cat5 straight cable. For all other non-standard interfaces, please contact WTI Technical Support for assistance and be prepared to provide a serial pinout and signal directions for the target interface.

Appendix C. Connecting Devices to RJ45 Serial Ports

This section describes the cables and adapters that are used to connect common devices to the RJ-45 serial ports on a standard DSM Series or CPM Series unit. For information regarding other WTI cables and adapters, please refer to the "Serial Cables and Adapters" document, which can be found on the WTI Web Site at:

<http://www.wti.com/guides/serialcables+adapters.pdf>

C.1. Straight RJ-45 Cables and Rollover RJ-45 Cables

The connection examples described in this section include the use either an RJ-45 Straight cable or an RJ-45 Rollover cable. The difference between the two types of cables is the way that the pins in the connectors at each end of the cable are linked to each other.

In Straight Cables the pins on each connector are linked to the same pin number on the connector at the other end of the cable; for example, Pin 1 on the right hand connector is linked to Pin 1 on the left hand connector, as shown in Figure C.1 below.

For Rollover Cables, the order of the pins is reversed; Pin 1 on the right hand connector would be linked to Pin 8 on the left hand connector, as shown in Figure C.2.

WTI RJ-45 Straight cables are available in three different models:

- RJX-7-15: 15 Feet Long
- RJX-7-25: 25 Feet Long
- RJX-7-30: 30 Feet Long

WTI also offers an RJ-45 Rollover cable:

- RJ-ROLL

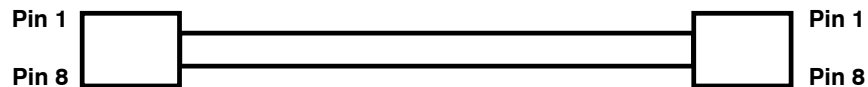


Figure C.1: Straight Cables

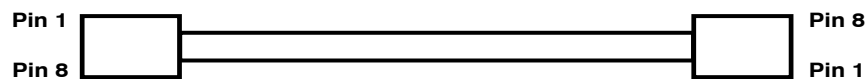


Figure C.2: Rollover Cables

C.2. Connecting DB-9M DTE Devices

The DX9F-DTE-RJ Snap Adapter can be used with a Straight RJ-45 cable to attach the following DB-9M DTE devices to the RJ-45 Serial Ports on DSM Series and CPM Series units:

- PCs and Laptops
- Console Ports on WTI MPC Series Units
- Other Devices with a DB-9M DTE Console Port

When connecting a DB-9M DTE device to an RJ-45 Serial Port on a DSM Series or CPM Series unit, please refer to Figure C.3 and Figure C.4 below:

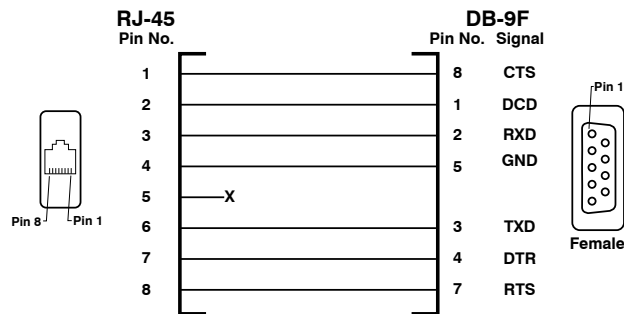


Figure C.3: DX9F-DTE-RJ Snap Adapter Interface

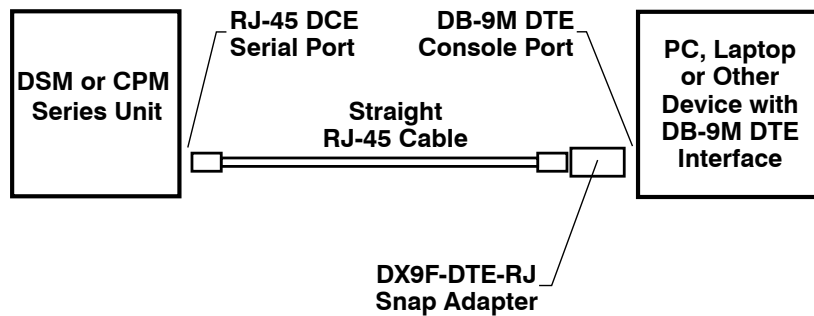


Figure C.4: Connecting DB-9M DTE Devices to DSM and CPM Series Units

C.3. Connecting DB-25F DTE Devices

The DX25M-DTE-RJ Snap Adapter can be used with a Straight RJ-45 cable to attach the most DB-25F DTE devices to RJ-45 Serial Ports on DSM Series or CPM Series units.

When connecting a DB-25F DTE device to an RJ-45 Serial Port on a DSM Series or CPM Series unit, please refer to Figure C.5 and Figure C.6 below:

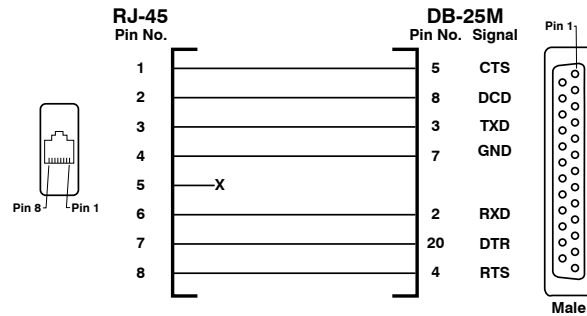


Figure C.5: DX25M-DTE-RJ Snap Adapter Interface

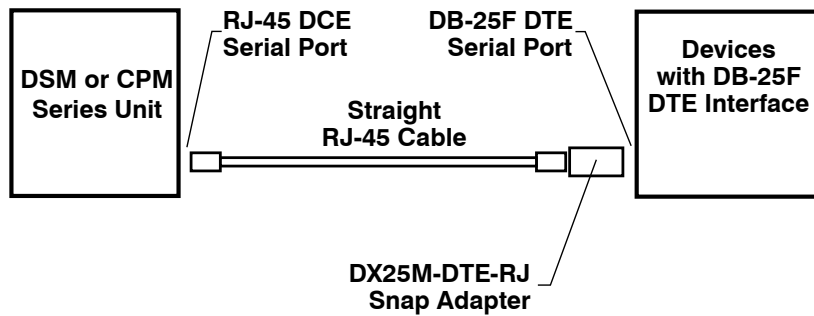


Figure C.6: Connecting DB-25F DTE Devices to DSM CPM Series Units

C.4. Connecting DB-25F DCE Devices

The DX25M-DCE-RJ Snap Adapter can be used with a Straight RJ-45 cable to attach the following DB-25F DCE devices to RJ-45 serial ports on DSM Series and CPM Series units:

- External Modems with DB-25F DCE Serial Port
- Other Devices with a DB-25F DCE Console Port

When connecting a DB-25F DCE device to an RJ-45 serial port on a DSM Series or CPM Series unit, please refer to Figure C.7 and Figure C.8 below:

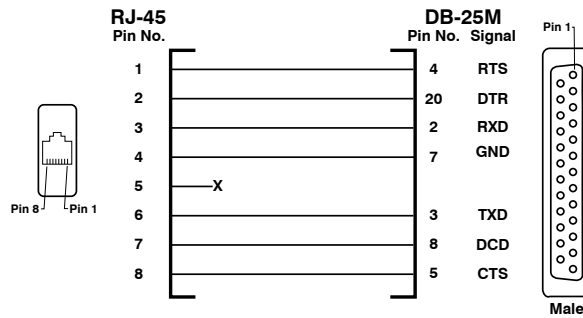


Figure C.7: DX25M-DCE-RJ Snap Adapter Interface

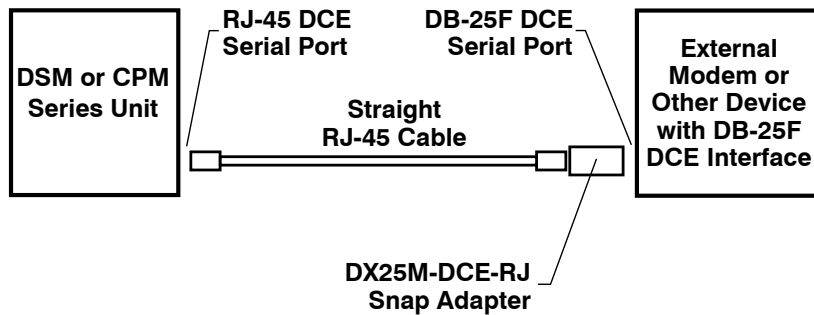


Figure C.8: Connecting DB-25F DCE Devices to DSM and CPM Series Units

C.5. Connecting RJ-45 DCE Devices

An RJ-ROLL Rollover cable can be used to connect the following RJ-45 DCE devices to the RJ-45 serial ports on DSM Series or CPM Series units:

- Cisco Routers with RJ-45 DCE Console Port
- Sun Routers with RJ-45 DCE Console Port
- Other Devices with RJ-45 DCE Console Port

When connecting an RJ-45 DCE device to an RJ-45 serial port on DSM Series or CPM Series units, please refer to Figure C.9 below:

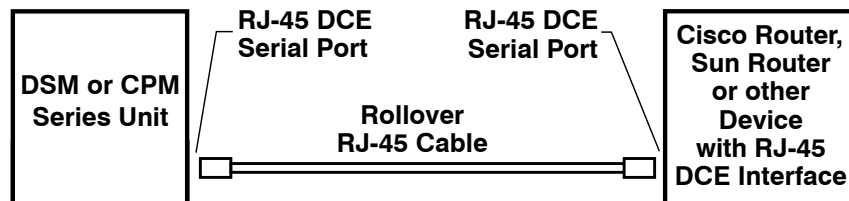


Figure C.9: Connecting RJ-45 DCE Devices to DSM and CPM Series Units

C.6. DX9F-NULL-RJ Snap Adapter

The DX9F-NULL-RJ Snap Adapter is used for straight through cable connections (Pins 2 through 8).

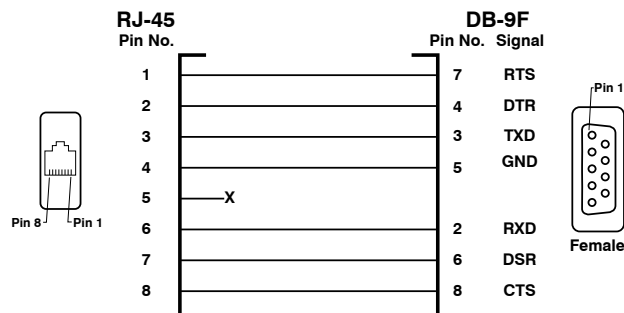


Figure C.10: DX9F-NULL-RJ Snap Adapter Interface

Appendix D. Customer Service

Customer Service hours are from 8:00 AM to 5:00 PM, PST, Monday through Friday. When calling, please be prepared to give the name and make of the unit, its serial number and a description of its symptoms. If the unit should need to be returned for factory repair it must be accompanied by a Return Authorization number from Customer Service.

WTI Customer Service
5 Sterling
Irvine, California 92618

Local Phone: (949) 586-9950
Toll Free Service Line: 1-888-280-7227
Service Fax: (949) 583-9514

Email: service@wti.com

Trademark and Copyright Information

WTI and Western Telematic are trademarks of Western Telematic Inc.. All other product names mentioned in this publication are trademarks or registered trademarks of their respective companies.

Information and descriptions contained herein are the property of Western Telematic Inc.. Such information and descriptions may not be copied, disseminated, or distributed without the express written consent of Western Telematic Inc..

© Copyright Western Telematic Inc., 2016.

June, 2017

Part Number: 14446, Revision: C

Trademarks and Copyrights Used in this Manual

Cisco and EnergyWise are registered trademarks of Cisco Systems, Inc.

PuTTY is copyright 1997-2016 Simon Tatham.

Tera Term is copyright 1994-1998 T. Teranishi, 2004-2016 Tera Term Project

Telnet is a trademark of Telnet Communications, Inc.

VeriSign is a registered trademark of VeriSign, Incorporated

All other trademarks mentioned in this manual are acknowledged to be the property of the trademark owners.